

Protection Perfection





Ultimate Protection

ShieldGLAND®

Introducing the ShieldGLAND®, an IP68 polyamide/brass hybrid cable gland suitable for armoured and SY cables.

Available in M20S, M20L, M25 and M32 sizes.

Superior protection, easy to use and works seamlessly with our COMBI junction box series.



High Protection



Polyamide Gland



Suitable for Armoured Cable



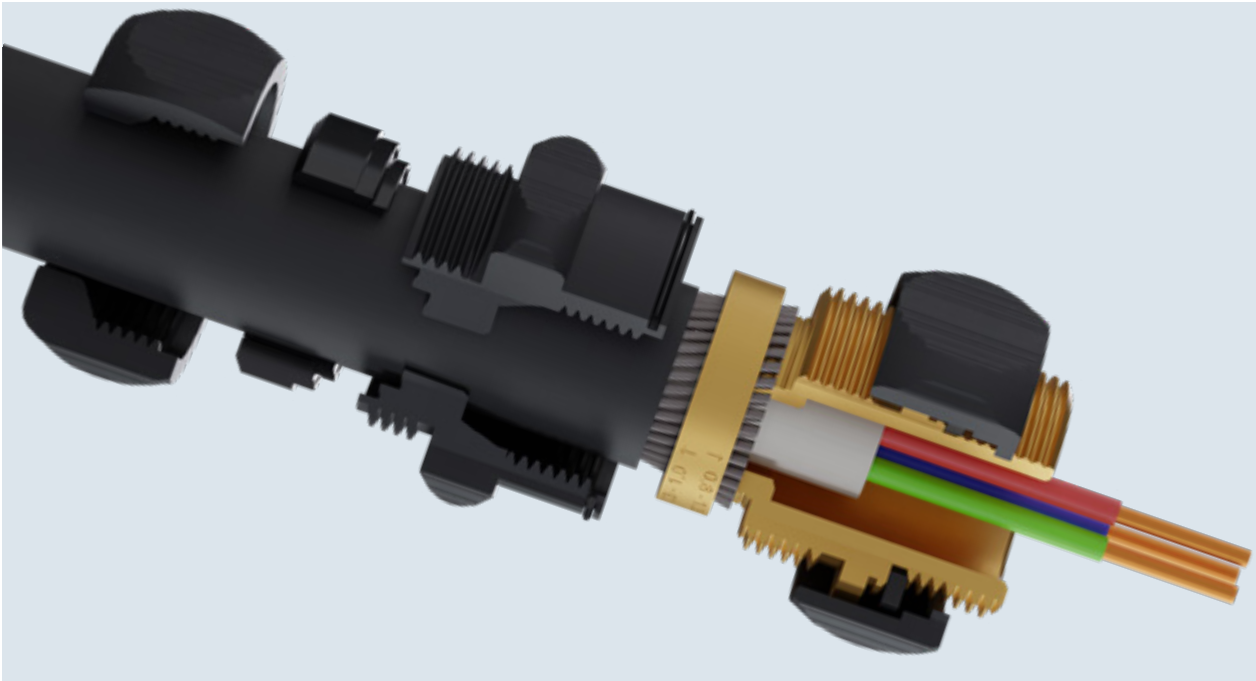
No Shroud Required



Suitable for SY/CY Cable



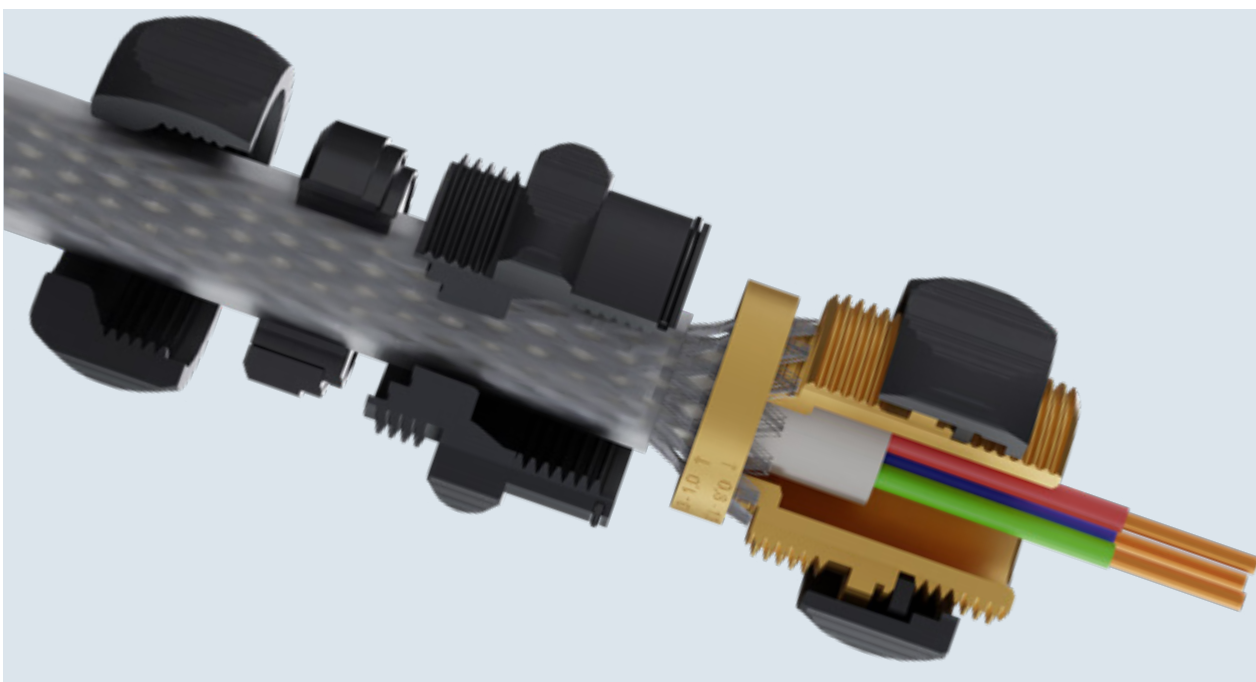
M20S, M20L, M25 & M32



Flexible Design to Suit Your Needs.

Thanks to its flexible design the ShieldGLAND® can be used with armoured, SY, CY and non-armoured cables.

The ShieldGLAND®'s versatile clamping olive can simply be switched to take either armoured or SY, CY making installation quick and easy.





The Insert

The ShieldGLAND®'s **unique adaptable insert** allows a wider range of cable acceptance due to its two part sealing gasket. Simply leave as is or remove inner sealing insert depending on your cable requirement.

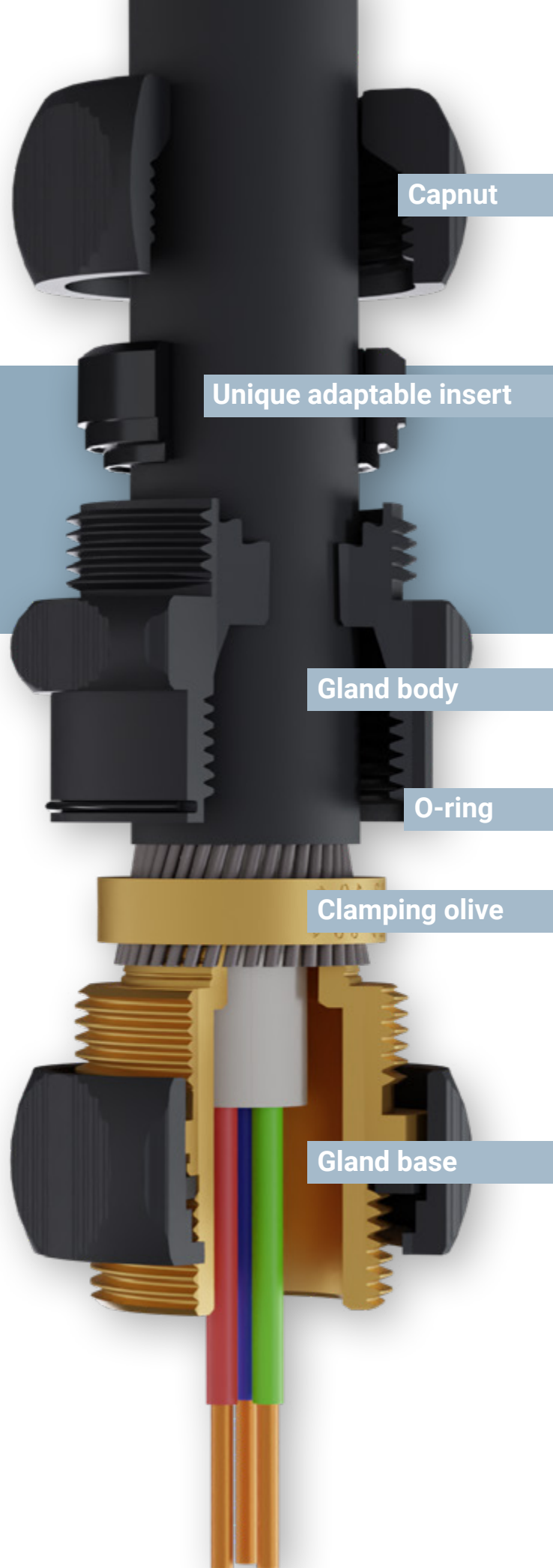
Why is the ShieldGLAND® better?

The ShieldGLAND® replaces the use of the conventional BW/CW gland for cable termination.

It offers superior protection (IP68) against dust, dirt and water.

Furthermore the ShieldGLAND®'s polyamide outerbody eliminates the need for a shroud helping to save time and improve ease of installation.

Finally the finished look creates a much cleaner final installation. The ShieldGLAND® has also been designed to work with our iconic COMBI junction box series and accessories.



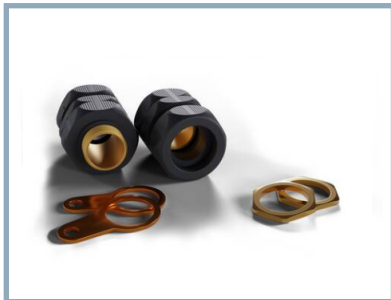
ShieldGLAND® Range



ShieldGLAND® 10112390

ShieldGLAND
by WISKA

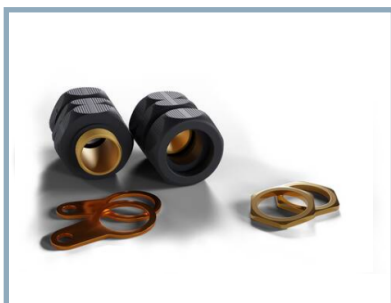
ShieldGLAND® M20S, complete with Brass locknut, earth tag (2 per pack).



ShieldGLAND® 10112391

ShieldGLAND
by WISKA

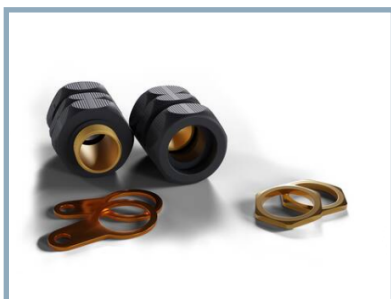
ShieldGLAND® M20L, complete with Brass locknut, earth tag (2 per pack).



ShieldGLAND® 10112392

ShieldGLAND
by WISKA

ShieldGLAND® M25, complete with Brass locknut, earth tag (2 per pack).



ShieldGLAND® 10112393

ShieldGLAND
by WISKA

ShieldGLAND® M32, complete with Brass locknut, earth tag (2 per pack).



ShieldGLAND® Pro Range



ShieldGLAND® Pro 10112394

ShieldGLAND
by WISKA

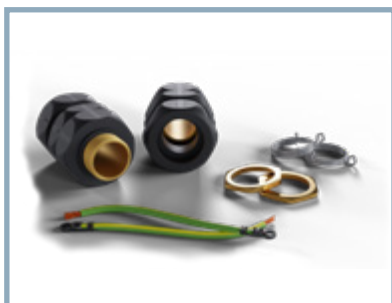
ShieldGLAND® M20S, complete with Brass locknut, E-Spring and earth fly lead (2 per pack).



ShieldGLAND® Pro 10112395

ShieldGLAND
by WISKA

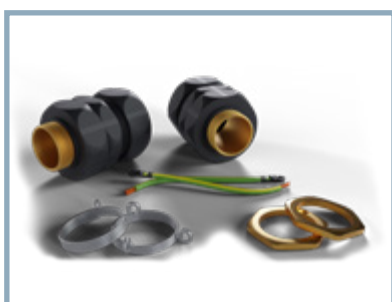
ShieldGLAND® M20L, complete with Brass locknut, E-Spring and earth fly lead (2 per pack).



ShieldGLAND® Pro 10112396

ShieldGLAND
by WISKA

ShieldGLAND® M25, complete with Brass locknut, E-Spring and earth fly lead (2 per pack).



ShieldGLAND® Pro 10112397

ShieldGLAND
by WISKA

ShieldGLAND® M32, complete with Brass locknut, E-Spring and earth fly lead (2 per pack).



ShieldGLAND® Elite Range



The ShieldGLAND® Elite is our complete out-of-the-box installation solution.

Everything you need all in one box.

ShieldGLAND®, E-Spring, Earth fly lead and of course the iconic WISKA COMBI 308 junction box.

ShieldGLAND® Elite 10112398

2 x ShieldGLAND® M20S, complete with 1 x COMBI 308, 2 x E-Spring and 2 x earth fly lead.



About WISKA UK

Established in 2000, WISKA UK Ltd is the UK's market leader in the manufacture and supply of Junction Boxes, Cable Glands and Gel/ Gel Jointing products.

Our products are designed, developed and tested extensively, ensuring they meet the highest demands under the toughest of conditions. These tests are conducted by our team of highly skilled Designers and Engineers at our state of the art laboratory facilities in WISKA Germany.

These same exacting standards are applied to service at WISKA UK Ltd. With a wealth of product knowledge, our team can help support you in providing quality solutions for your business, project or requirement.