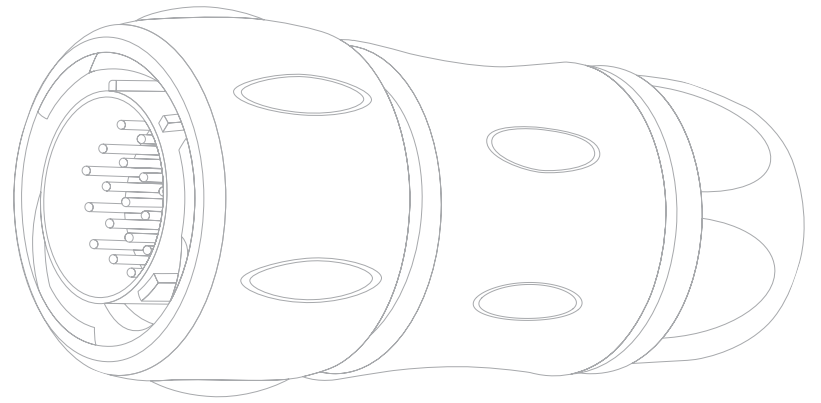


**Plastic circular connectors**  
Souriau TRIM TRIO® UTSX series



*Powering Business Worldwide*



# UTSX series

plastic circular connectors

Typical applications



## Upgraded for higher performance

The Souriau UTSX series is a full-plastic, waterproof circular connector designed for harsh environments. The UTSX series features reinforced bayonet pins and a broader range of layouts, sizes and mechanical keyings when compared to its predecessor, the UTS series.

## Interchangeable with other Souriau TRIM TRIO® connectors

Part of the Souriau TRIM TRIO® connector line, the UTSX series shares a unique design of contacts that are interchangeable across several of our connector series, allowing you to simplify your supply chain and maintain the same cabling process across all ranges. The trio of contacts; machined, stamped and formed, and coaxial is used in different connector shapes with plastic or metal shells, bayonet or push-pull coupling mechanisms. For series that are intermateable, such as the UTS, UTGX and UTO series, you can easily switch from one series to the other across the applications in your operation.

## Reliable connections in harsh environments

UTSX series connectors are waterproof, lightweight, withstand 250 mating cycles and are manufactured from materials that have UV and corrosion resistant properties. They are IP68/69K rated even in dynamic conditions and available with multiple contact layouts for design flexibility, including hybrid power/signal and hybrid copper/fiber.

## Easy, quick and safe to use in a wide range of applications

The easy to grip connectors have a one-third bayonet coupling to confirm the connection with an audible and tactile click. The UTSX series is compliant with IEC and UL standards and resistant to shock, ensuring safe connections for installers and operators. The UTSX series is perfect for outdoor solar and wind management applications, as well as conditions where humidity or corrosive agents would compromise metal components – applications that range from off-road machinery to instrumentation and water management.



### Table of contents

<b>Overview .....</b>	<b>6</b>
Range overview .....	6
Technical specifications .....	8
Layouts size 10 .....	9
Layouts size 12 .....	10
Layouts size 14 .....	11
Layouts size 16 .....	12
Layouts size 18 .....	14
<b>Connectors .....</b>	<b>16</b>
Overmolded cable assembly .....	16
UTSX12E2 / UTSX12D2 .....	18
UTSX103 .....	22
UTSX142G1 .....	27
UTSX12E3 / UTSX12D3 .....	31
UTSX124 / UTSX12E4 / UTSX12D4 .....	35
UTSX163G1 .....	40
UTSX102W2 .....	44
UTSX104 .....	49
UTSX14E5 / 14D5 .....	54
UTSX165 .....	58
UTSX103W3 .....	63
UTSX106 / UTSX10E6 / UTSX10D6 .....	69
UTSX10E98 / UTSX10D98 .....	74
UTSX186 .....	78
UTSX147 / UTSX14E7 / UTSX14D7 .....	83
UTSX10E7 / UTSX10D7 .....	88
UTSX187G1 .....	92
UTSX128 .....	96
UTSX12E8 / UTSX12D8 .....	101
UTSX148 .....	105
UTSX16E8 / 16D8 .....	111
UTSX169 .....	115
UTSX1210 / UTSX12E10 / UTSX12D10 .....	119
UTSX18E11 / 18D11 .....	124
UTSX1412 .....	128
UTSX14E12 / UTSX14D12 .....	133
UTSX1492 .....	137
UTSX1613 .....	142
UTSX1813 .....	147
UTSX12E14 / UTSX12D14 .....	152
UTSX14E15 / UTSX14D15 .....	156

- UTSX14E18 / UTSX14D18 ..... 160
- UTSX1419 / UTSX14E19 / UTSX14D19 ..... 164
- UTSX1619 ..... 169
- UTSX16E23 / 16D23 ..... 174
- UTSX1823 ..... 178
- UTSX1626 - 16E26 / 16D26 ..... 183
- UTSX18E30 / 18D30 ..... 188
- UTSX1832 - 18E32 / 18D32 ..... 192
- Contacts ..... 197**
- Description ..... 197
- Contact plating selector guide ..... 197
- Contact selector guide ..... 198
- Packaging ..... 199
- Crimp contacts ..... 200
- Coaxial contacts ..... 202
- PCB contacts ..... 205
- Fiber optic contacts ..... 207
- Technical information ..... 209**
- Crimping tools for standard contacts ..... 209
- Crimping tools for specific contacts ..... 209
- M20S-1J crimp tool ..... 210
- Automatic crimping tools ..... 211
- Extraction tool for crimp contacts ..... 211
- Crimping instructions ..... 212
- Crimping control ..... 213
- Handle and interchangeable heads for crimp contacts ..... 214
- Mated connector length ..... 215
- Assembly instructions ..... 216
- Mating procedure ..... 219
- Rated current and working voltage ..... 220
- UV resistance ..... 221
- Ethernet basics ..... 222
- Appendix ..... 224**
- Appendix A: Discrimination/Keying methods ..... 224
- Appendix B: Part number index ..... 225



# Souriau UTSX series

Range overview

## UTSX series



Cable sealed



Plug without backshell



Plug with backshell

## UTSX backshells

### Cable sealing



### Double sealing (wires + cable)



Grommet

Contacts supplied separately



**Choice of crimp contacts**  
Machined / Stamped and formed / Coaxial

**PCB**  
**Fiber optic**

**Contacts loaded**  
**Handsolder Screw**

**Plug**



**UTSX Hi-seal**



Plug without backshell



Plug with backshell

Overmolded cable assembly



For more information on our overmolding solutions, please contact us.

**UTSX standard receptacle**

**Square flange**



**Jam nut**



**Free hanging**



**Jam nut**



Contacts supplied separately



**Choice of crimp contacts**

Machined / Stamped and formed / Coaxial

**PCB  
Fiber optic**

Contacts supplied separately



**Choice of crimp contacts**

Machined / Stamped and formed / Coaxial

**PCB  
Fiber optic**

Contacts loaded

**Handsolder Screw**

**UTSX backshells**

**Cable sealing only for square flange**



**UTSX backshells**

**Cable sealing**



**Double sealing  
(wires + cable)**



**Grommet**

**UTSX Hi-seal receptacle**

**Jam nut**



**Square flange**



**Contacts loaded**

**PCB  
Handsolder**

**UTSX PCB contacts**

Stand-offs to allow cleaning after soldering

Metal hold down clips lock the connector easily on the PCB and release stress on solder joints. They are also suitable for soldering the connector to the PCB through metal holes.



Pre-assembled PCB contacts  
- machined or stamped versions available  
- different solder tail lengths possible  
- different plating options

Low profile housing to limit space between panel and PCB

# Souriau UTSX series

## Technical specifications



### Technical features

#### Environmental

- Temperature class: 40/100/21 per NFF 61-030 from -40°C to +105°C
- Flammability rating:
  - UL94 V-0 (all UTSX except the sealed unmated version)
  - UL94 HB (UTSX sealed unmated version only)
  - R22 HL2 / R23 HL2 according to EN45545-2 (not applicable for hi-seal versions)
  - GWFI: 960°C
  - GWIT: 800°C
- Salt spray: per EIA-364-26: 500 hours
- UV resistant connector made with (f1) material according to UL746C
- Outdoor used following level 6/6P according to UL50/UL50E
- Aging validation: ISO 21207 Method B, 5 cycles. Corresponding to 27 years in an industrial environment
- Sealing:
  - UTSX standard: IP68/IP69K dynamic (mated)
  - UTSX sealed unmated version: IP68/IP69K dynamic (unmated)
  - UTSX single wire sealed: IP67/69K (up to IP68 with double sealing backshell)
  - UTSX screw termination contacts: IP68/IP69K dynamic (mated)

**Note:** IP68=10 m. underwater during 1 week

- Fluid resistance:
  - Gas and oil
  - Mineral oil
  - Acid bath
  - Basic bath

#### Materials

- Connector body and backshell: thermoplastic
- Insert:
  - UTSX standard, UTSX single wire sealed UTSX screw termination contacts: thermoplastic
  - UTSX Hi-seal: elastomer
- Nut: metal
- Locking ring: brass and stainless steel
- Contacts: see **Page 197**
- Halogen free
- RoHS compliant and conforms to the Chinese standard SJ/T1166-2006 (Chinese RoHS equivalent)

#### Electrical

- In accordance with:
  - UL 1977: category ECBT2 file number: E169916
  - C22.2 n°182.3: category ECBT8 file number: E169916
- Voltage and current information available on **Page 9**

#### Mechanical

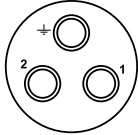
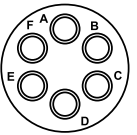
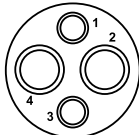
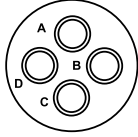
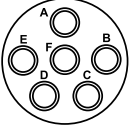
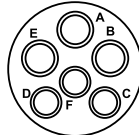
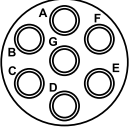
- Durability: 250 matings and unmatings according to MIL -C-26482
- Vibration resistance (all UTSX versions except UTSX screw termination contacts):
  - Sinusoidal vibrations per EN 60512-4 - from 10 to 2000 Hz
  - Sinusoidal vibrations according to CEI 60512-6-4
- Thermal shock: 5 cycles 30 min. from -40°C to 105°C per MIL -STD-1344 method 1003
- IK resistors: see table below for shock resistance

Connector type	Size 10	Size 12	Size 14	Size 16	Size 18
UTSX0 / UTSX6JC	IK03	IK05	IK05	IK04	IK06
UTSX7 / UTSX6JC	–	IK05	IK05	IK05	IK06

**Layouts face male contact**

Electrical parameter according to IEC61984 for a pollution degree IV and overvoltage category III.

A higher voltage can be applied by selecting the appropriate connectors and contacts. Please consult us for more information.

Contacts	Contact #16 (Ø 0.062"/1.6 mm)	Contacts	Contact #20 (Ø 0.039"/1.0 mm)	Contacts	Hybrid and others
<b>Description (mating face view male connectors)</b>		<b>Description (mating face view male connectors)</b>		<b>Description (mating face view male connectors)</b>	
	103 16A/300V 2 + ground <b>Page 22</b>		106 – <b>10E6/10D6</b> 7A/32V 6 contacts <b>Page 69</b>		102W2 25A/150V 4 contact 2 x Ø 2.4 (#12) + 2 x Ø 1.0 (#20) <b>Page 44</b>
					
	104 13A/150V 4 contacts <b>Page 49</b>		<b>10E98/10D98</b> 7A/50V 6 contacts <b>Page 74</b>		103W3 5A/32V 6 contacts 3 x Ø 1.6 (#16) + 3 x Ø 1.0 (#20) <b>Page 63</b>
					
			<b>10E7/10D7</b> 7A/50V 7 contacts <b>Page 88</b>		

**Note:** Layouts in blue text are UTSX sealed unmated (Hi-seal) condition

Contacts #20:  
from AWG 26 to 18  
0.005" to 0.031"<sup>2</sup>  
0.13 to 0.80 mm<sup>2</sup>

Contacts #16:  
from AWG 30 to 14  
0.002" to 0.098"<sup>2</sup>  
0.05 to 2.5 mm<sup>2</sup>

Contacts #12:  
from AWG 20 to 12  
0.005" to 0.157"<sup>2</sup>  
0.52 to 4 mm<sup>2</sup>

Contacts #8:  
from AWG 16 to 8  
0.059" to 0.393"<sup>2</sup>  
1.5 to 10 mm<sup>2</sup>

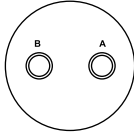
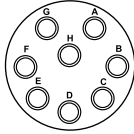
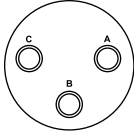
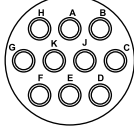
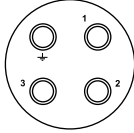
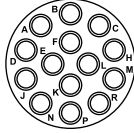
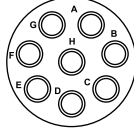
# Souriau UTSX series

Layouts size 12

## Layouts face male contact

Electrical parameter according to IEC61984 for a pollution degree IV and overvoltage category III.

A higher voltage can be applied by selecting the appropriate connectors and contacts. Please consult us for more information.

Contacts	Contact #16 (Ø 0.062"/1.6 mm)	Contacts	Contact #20 (Ø 0.039"/1.0 mm)
<b>Description</b> (mating face view male connectors)		<b>Description</b> (mating face view male connectors)	
	<b>12E2/12D2</b> 16A/150V 2 contacts		<b>12E8/12D8</b> 6A/32V 8 contacts
	<b>Page 22</b>		<b>Page 101</b>
			
	<b>12E3/12D3</b> 16A/150V 3 contacts		<b>1210 – 12E10/12D10</b> 6A/50V 10 contacts
	<b>Page 31</b>		<b>Page 119</b>
			
	<b>124 – 12E4/12D4</b> 16A/150V 3 + ground		<b>12E14/12D14</b> 5A/32V 14 contacts
	<b>Page 35</b>		<b>Page 152</b>
			
	<b>128</b> 10A/80V 8 contacts		
	<b>Page 96</b>		

**Note:** Layouts in blue text are UTSX sealed unmated (Hi-seal) condition

Contacts #20:  
from AWG 26 to 18  
0.005" to 0.031"<sup>2</sup>  
0.13 to 0.80 mm<sup>2</sup>

Contacts #16:  
from AWG 30 to 14  
0.002" to 0.098"<sup>2</sup>  
0.05 to 2.5 mm<sup>2</sup>

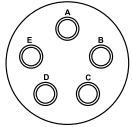
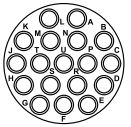
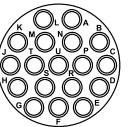
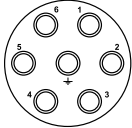
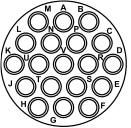
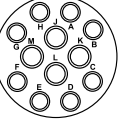
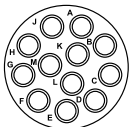
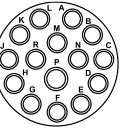
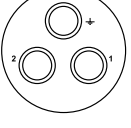
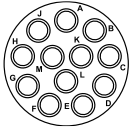
Contacts #12:  
from AWG 20 to 12  
0.020" to 0.157"<sup>2</sup>  
0.52 to 4 mm<sup>2</sup>

Contacts #8:  
from AWG 16 to 8  
0.059" to 0.393"<sup>2</sup>  
1.5 to 10 mm<sup>2</sup>

**Layouts face male contact**

Electrical parameter according to IEC61984 for a pollution degree IV and overvoltage category III.

A higher voltage can be applied by selecting the appropriate connectors and contacts. Please consult us for more information.

Contacts	Contact #16 (Ø 0.062"/1.6 mm)	Contacts	Contact #20 (Ø 0.039"/1.0 mm)	Contacts	Mixed power
<b>Description (mating face view male connectors)</b>		<b>Description (mating face view male connectors)</b>		<b>Description (mating face view male connectors)</b>	
	14E5/14D5 16A/150V 5 contacts <b>Page 54</b>		14E18/14D18 5A/50V 18 contacts <b>Page 160</b>		148 17A/230V 8 contacts 4 x Ø 1.6 (#16) + 3 x Ø 2.4 (#12) + ground <b>Page 105</b>
					
	147 – 14E7/14D7 7A/150V 6 + ground <b>Page 83</b>		1419 – 14E19/14D19 5A/32V 19 contacts <b>Page 164</b>		14E12/14D12 4A/50V 12 contacts 4 x Ø 1.6 (#16) + 8 x Ø 1.0 (#20) <b>Page 133</b>
		<b>Contacts</b>	<b>Contact #8 (Ø 0.141"/3.6 mm)</b>	<b>Description (mating face view male connectors)</b>	
	1412 10A/63V 12 contacts <b>Page 128</b>				14E15/14D15 4A/50V 15 contacts 1 x Ø 1.6 (#16) + 14 x Ø 1.0 (#20) <b>Page 156</b>
			142G1 40A/300V 2 + ground <b>Page 27</b>		
	1492 10A/63V 12 contacts <b>Page 137</b>				

**Note:** Layouts in blue text are UTSX sealed unmated (Hi-seal) condition

Contacts #20:  
from AWG 26 to 18  
0.005" to 0.031"<sup>2</sup>  
0.13 to 0.80 mm<sup>2</sup>

Contacts #16:  
from AWG 30 to 14  
0.002" to 0.098"<sup>2</sup>  
0.05 to 2.5 mm<sup>2</sup>

Contacts #12:  
from AWG 20 to 12  
0.020" to 0.157"<sup>2</sup>  
0.52 to 4 mm<sup>2</sup>

Contacts #8:  
from AWG 16 to 8  
0.059" to 0.393"<sup>2</sup>  
1.5 to 10 mm<sup>2</sup>

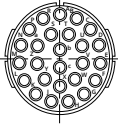

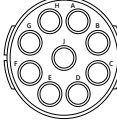

# Souriau UTSX series

Layouts size 16

## Layouts face male contact

Electrical parameter according to IEC61984 for a pollution degree IV and overvoltage category III.

A higher voltage can be applied by selecting the appropriate connectors and contacts. Please consult us for more information.

Contacts	Contact #20 (Ø 0.039"/1.0 mm)	Contacts	Contact #16 (Ø 0.062"/1.6 mm)	Contacts	Contact #12 (Ø 0.094"/2.4 mm)
<b>Description (mating face view male connectors)</b>		<b>Description (mating face view male connectors)</b>		<b>Description (mating face view male connectors)</b>	
	1626 - 16E26/16D26 4.5A/32V 26 contacts		1619 8A 32V 19 contacts		169 22A/160V 9 contacts
	<b>Page 183</b>		<b>Page 169</b>		<b>Page 115</b>
					
		16E8/16D8 13A/80V 8 contacts			
		<b>Page 111</b>			

**Note:** Layouts in blue text are UTSX sealed unmated (Hi-seal) condition

Contacts #20:  
from AWG 26 to 18  
0.005" to 0.031"<sup>2</sup>  
0.13 to 0.80 mm<sup>2</sup>

Contacts #16:  
from AWG 30 to 14  
0.002" to 0.098"<sup>2</sup>  
0.05 to 2.5 mm<sup>2</sup>

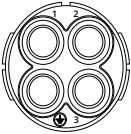
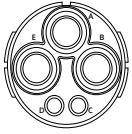
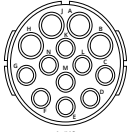
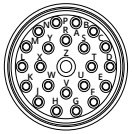
Contacts #12:  
from AWG 20 to 12  
0.020" to 0.157"<sup>2</sup>  
0.52 to 4 mm<sup>2</sup>

Contacts #8:  
from AWG 16 to 8  
0.059" to 0.393"<sup>2</sup>  
1.5 to 10 mm<sup>2</sup>

**Layouts face male contact**

Electrical parameter according to IEC61984 for a pollution degree IV and overvoltage category III.

A higher voltage can be applied by selecting the appropriate connectors and contacts. Please consult us for more information.

Contacts	Contact #8 (Ø 0.141"/3.6 mm)	Contacts	Mixed power
<b>Description</b> (mating face view male connectors)		<b>Description</b> (mating face view male connectors)	
	163G1 46A/400V 3 + ground  <b>Page 40</b>		165 46A/320V 5 contacts 2 x Ø 1.6 (#16) 3 x Ø 3.6 (#8)  <b>Page 58</b>
			
			1613 23A/160V 13 contacts 4 x Ø 2.4 (#12) 9 x Ø 1.6 (#16)  <b>Page 142</b>
			
			16E23/16D23 13A/32V 23 contacts 22 x Ø 1.0 (#20) 1 x Ø 1.6 (#16)  <b>Page 174</b>

**Note:** Layouts in blue text are UTSX sealed unmated (Hi-seal) condition

Contacts #20:  
from AWG 26 to 18  
0.005" to 0.031"<sup>2</sup>  
0.13 to 0.80 mm<sup>2</sup>

Contacts #16:  
from AWG 30 to 14  
0.002" to 0.098"<sup>2</sup>  
0.05 to 2.5 mm<sup>2</sup>

Contacts #12:  
from AWG 20 to 12  
0.020" to 0.157"<sup>2</sup>  
0.52 to 4 mm<sup>2</sup>

Contacts #8:  
from AWG 16 to 8  
0.059" to 0.393"<sup>2</sup>  
1.5 to 10 mm<sup>2</sup>

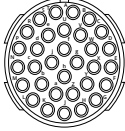

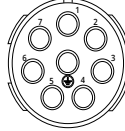
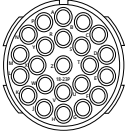
# Souriau UTSX series

Layouts size 18

## Layouts face male contact

Electrical parameter according to IEC61984 for a pollution degree IV and overvoltage category III.

A higher voltage can be applied by selecting the appropriate connectors and contacts. Please consult us for more information.

Contacts	Contact #20 (Ø 0.039"/1.0 mm)	Contacts	Contact #16 (Ø 0.062"/1.6 mm)	Contacts	Contact #12 (Ø 0.094"/2.4 mm)
<b>Description (mating face view male connectors)</b>		<b>Description (mating face view male connectors)</b>		<b>Description (mating face view male connectors)</b>	
	1832 - 18E32/18D32 4A/32V 32 contacts		18E11/18D11 13A/40V 11 contacts		187G1 23A/250V 7 + ground
	<b>Page 192</b>		<b>Page 124</b>		<b>Page 92</b>
					
			1823 8A/16V 23 contacts		
			<b>Page 178</b>		

**Note:** Layouts in blue text are UTSX sealed unmated (Hi-seal) condition

Contacts #20:  
from AWG 26 to 18  
0.005" to 0.031"<sup>2</sup>  
0.13 to 0.80 mm<sup>2</sup>

Contacts #16:  
from AWG 30 to 14  
0.002" to 0.098"<sup>2</sup>  
0.05 to 2.5 mm<sup>2</sup>

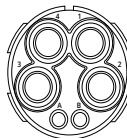
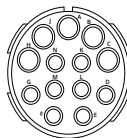
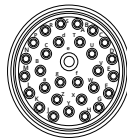
Contacts #12:  
from AWG 20 to 12  
0.020" to 0.157"<sup>2</sup>  
0.52 to 4 mm<sup>2</sup>

Contacts #8:  
from AWG 16 to 8  
0.059" to 0.393"<sup>2</sup>  
1.5 to 10 mm<sup>2</sup>

**Layouts face male contact**

Electrical parameter according to IEC61984 for a pollution degree IV and overvoltage category III.

A higher voltage can be applied by selecting the appropriate connectors and contacts. Please consult us for more information.

Contacts	Contact #8 (Ø 0.141"/3.6 mm)	Contacts	Mixed power
<b>Description</b> (mating face view male connectors)		<b>Description</b> (mating face view male connectors)	
			<p><b>186</b> 46A/320V 6 contacts 4 x Ø3.6 (#8) 2 x Ø1.6 (#16)</p>
			<b>Page 78</b>
			
			<p><b>1813</b> 23A/160V 13 contacts 5 x Ø2.4 (#12) 8 x Ø1.6 (#16)</p>
			<b>Page 147</b>
			
			<p><b>18E30/18D30</b> 13A/20V 30 contacts 29 x Ø1.0 (#20) 1 x Ø1.6 (#16)</p>
			<b>Page 188</b>

**Note:** Layouts in blue text are UTSX sealed unmated (Hi-seal) condition

Contacts #20:  
from AWG 26 to 18  
0.005" to 0.031"<sup>2</sup>  
0.13 to 0.80 mm<sup>2</sup>

Contacts #16:  
from AWG 30 to 14  
0.002" to 0.098"<sup>2</sup>  
0.05 to 2.5 mm<sup>2</sup>

Contacts #12:  
from AWG 20 to 12  
0.020" to 0.157"<sup>2</sup>  
0.52 to 4 mm<sup>2</sup>

Contacts #8:  
from AWG 16 to 8  
0.059" to 0.393"<sup>2</sup>  
1.5 to 10 mm<sup>2</sup>

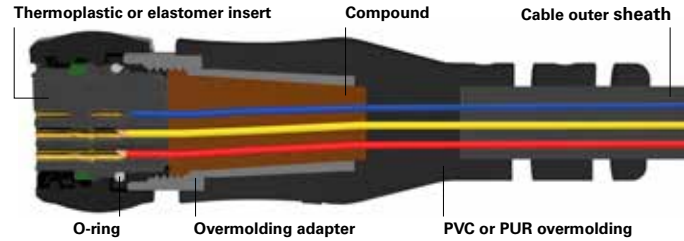
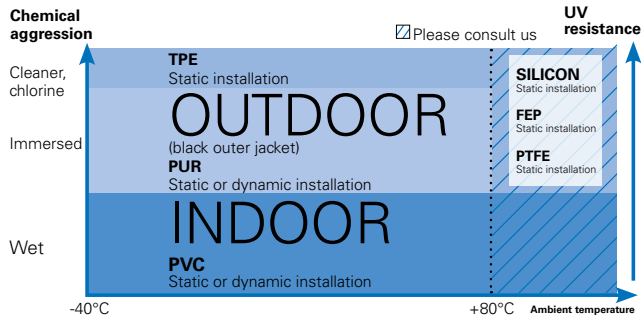
# Souriau UTSX series

## Overmolded cable assembly

### Overmolded cable assembly

Overmolding is a process that further enhances the sealing properties of the UTSX series, especially over many years of use. Overmolding provides the opportunity to change the cable exit from straight to 90 degrees and avoid stress on the cable terminated to the connector. Also, as the wires are encapsulated inside the moulding, a barrier is created which prevents any liquid from entering the equipment through the connector if the cable jacket is breached.

### How to choose the outer jacket material



### Connector with cable gland backshell

**GOOD**



### Overmolded connector

**BEST**



**UTSX waterproof plastic overmold**



**HAUTSX standard offering**

**Cable**

- PVC outer sheath (grey color)
- Wire section 16 AWG for #16 contact
- Wire section 20 AWG for #20 contact
- 300V
- Unshielded
- Operating temperature: -40°C +70°C

**Overmolding specifications**

Plating	Salt spray	Temperature*	Waterproof*	Mechanical
No plating	500 H	-30°C up to + 50°C	IP68/IP69K dynamic (mated)	250 matings/unmatings

\* With appropriate cable and overmolding

**Cable information**

Range of temperature	Rated voltage	Wire section	Harmonized reference
-30°C +50°C	U0/U: 300/500V	Layouts with #16 contact: wire section 0.196"² (5 mm²)	H05 VV - F XX

**Example of customized cable assemblies**



Overmolding on curly cable



Overmolding with double ends



Harness for PCB connection

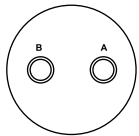
# Souriau UTSX series

12E2/12D2 (Shell size 12, 2x#16)



## Connector part number

### UTSX 12E2/12D2



2 contacts + ground  
13A/600V per UL 1977  
with AWG16 wire

Contact type	Connector type	Backshell	Part number Male insert	Female insert
Hand solder electrical contacts loaded see <b>Page 21</b>	Square flange receptacle	Without (Fig. 1)	UTSX012E2P	UTSX012E2S
	Plug	Without (Fig. 5)	UTSX612E2P	UTSX612E2S
		Cable gland (Fig. 3)	UTSX6JC12E2P	UTSX6JC12E2S
	Jam nut receptacle	Without (Fig. 4)	UTSX712E2P	UTSX712E2S
PCB contacts loaded see <b>Page 21</b>	Square flange receptacle	Without (Fig. 2)	UTSX012D2P	UTSX012D2S
	Jam nut receptacle with stand off and without hold down clip	Without (Fig. 5)	UTSX712D2P	UTSX712D2S
	Jam nut receptacle with stand off and with hold down clips	Without (Fig. 6)	UTSX712D2P32	UTSX712D2S32

For discrimination/keying methods see **Page 223**

Sealed unmated

## Overmolded cable assembly part numbers

Please contact us directly for overmolded cable assemblies.

**Dimensions** (For mated connector lengths see Page 215)

**Square flange receptacle - UTSX0**

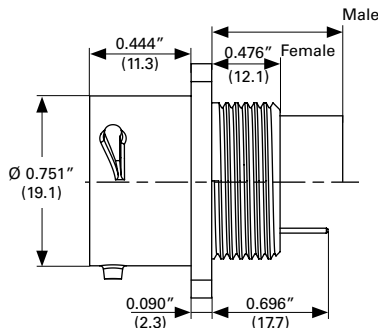
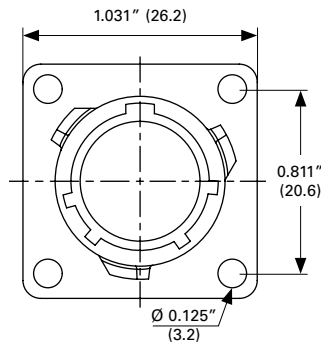


Fig. 1



**Plug - UTSX6 and UTSX6JC**

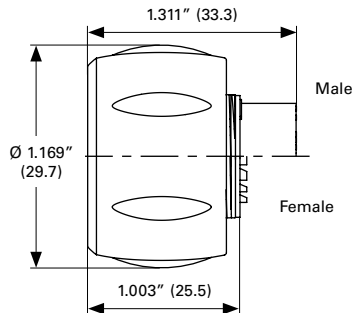


Fig. 2

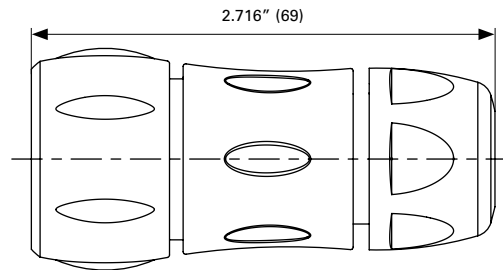


Fig. 3

Cable diameter acceptance: standard seal: from 0.098" to 0.472" (5 to 12), reduced seal: from 0.118" to 0.354" (3 to 9)

**Jam nut receptacle UTSX7**

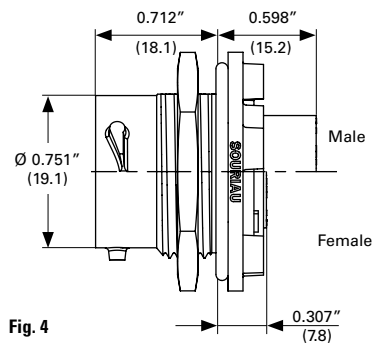


Fig. 4

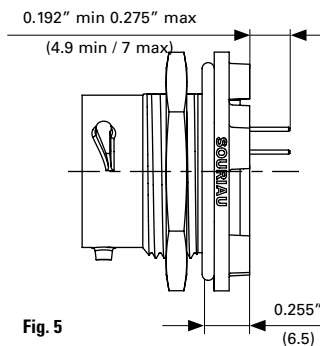


Fig. 5

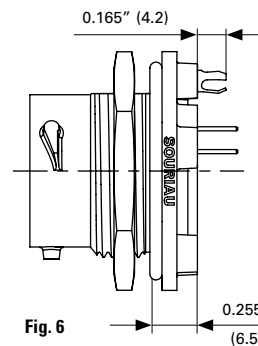
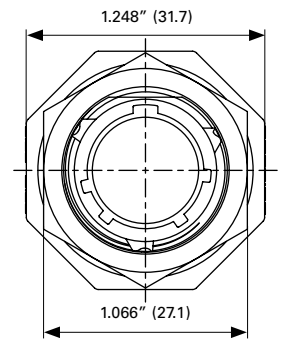
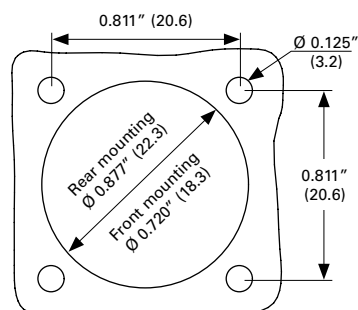


Fig. 6



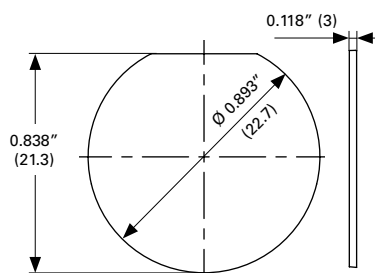
**Panel cut out**

**Square flange receptacle - UTSX0**



Dimensions in inches (millimeters)

**Jam nut receptacle - UTSX7**



# Souriau UTSX series

12E2/12D2 (Shell size 12, 2x#16)

## Accessories

### Jam nut and free hanging receptacle sealing caps



Description	Part number
IP68	<b>UTS12DCG</b>
IP68 - Metal terminal	<b>UTS12DCGR</b>

### Square flange sealing cap



Description	Part number
IP68 - Metal terminal	<b>UTS12DCGE</b>

### Plug sealing cap



Description	Part number
IP68	<b>UTX612DCG</b>

### Plastic protective cap



Part number receptacle cap	Part number plug cap
85005587A	<b>85005596</b>

### Gasket



Part number
<b>UTFD13B</b>

### Color coding rings



Description	Part number receptacles	Part number plugs
G for Green	<b>UTS712CCRG</b>	<b>UTS612CCRG</b>
Y for Yellow	<b>UTS712CCRY</b>	<b>UTS612CCRY</b>
R for Red	<b>UTS712CCRR</b>	<b>UTS612CCRR</b>

### Contacts #16

Contact type	Plating	Cable acceptance (AWG)	Cable acceptance		Wire stripping length	
			inch <sup>2</sup>	mm <sup>2</sup>	inch	mm
Handsold Loaded in the connector	Min 0.4µ gold over 0.8µ Ni	18-14	0.031"-0.098"	0.80-2.48	0.196"	5
PCB Machined <sup>(1)</sup>	Min 0.4µ gold over 0.8µ Ni	—	—	—	—	—

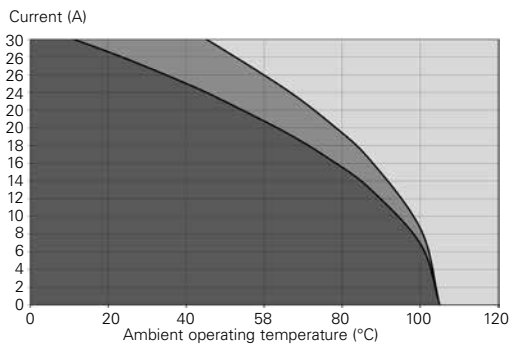
(1) For dimensions see **Page 205**

### Electrical characteristics

UL	CSA	IEC
13A 600V with AWG16 wire	13A 600V with AWG16 wire	16A 150V 2.5kV 3

Electrical information according to the IEC 61984, with pollution degree IV and overvoltage category III.

### UTSX 12E2/12D2 derating curves



- Current use
- Limited use
- Not recommended use

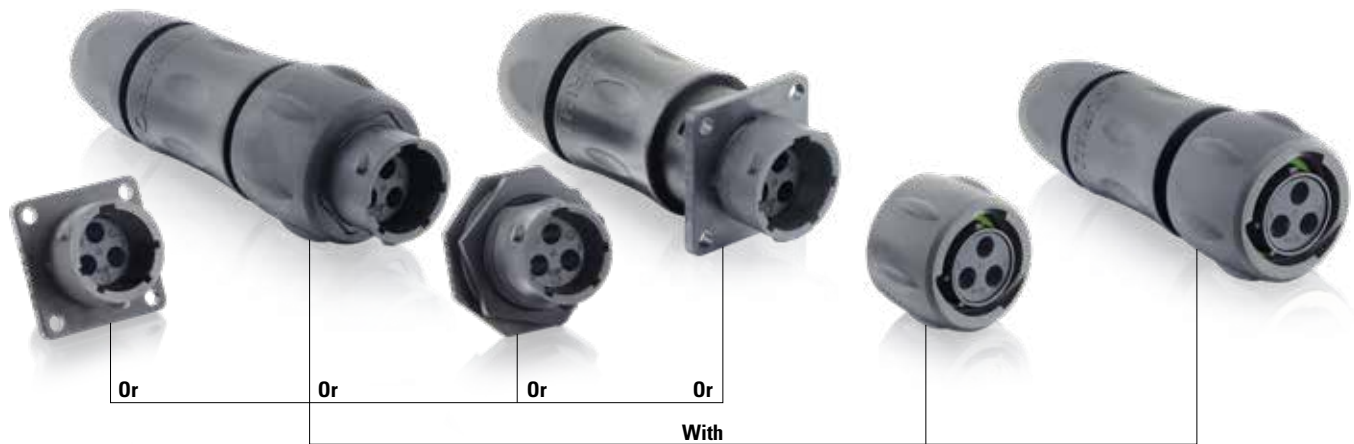
#### Test conditions

Contact used: machined contacts  
Wires used: 16 AWG

Derating curves based on continuous current application.

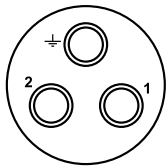
# Souriau UTSX series

103 (Shell size 10, 2 + ground, 3x#16)



## Connector part number

### UTSX 103



2 contacts +  
ground 10A/500V  
per UL 1977 with  
AWG16 wire

Contact type	Connector type	Backshell	Part number Male insert	Female insert
Crimp contacts supplied separately see <b>Page 26</b>	Square flange receptacle	Without (Fig. 1)	<b>UTSX0103P</b>	<b>UTSX0103S</b>
		Cable gland (Fig. 2)	<b>UTSX0JC103P</b>	<b>UTSX0JC103S</b>
	Free hanging receptacle	Cable gland (Fig. 3)	<b>UTSX1JC103P</b>	<b>UTSX1JC103S</b>
	Plug	Without (Fig. 4)	<b>UTSX6103P</b>	<b>UTSX6103S</b>
		Cable gland (Fig. 5)	<b>UTSX6JC103P</b>	<b>UTSX6JC103S</b>
Jam nut receptacle	Without (Fig. 6)	<b>UTSX7103P</b>	<b>UTSX7103S</b>	
PCB contacts supplied separately see <b>Page 26</b>	Jam nut receptacle	Without (Fig. 7)	<b>UTSX7103P</b>	<b>UTSX7103S</b>

## Overmolded cable assembly part numbers

Please contact us directly for overmolded cable assemblies.

## Dimensions (For mated connector lengths see Page 215)

### Square flange receptacle - UTSX0 and UTSX0JC

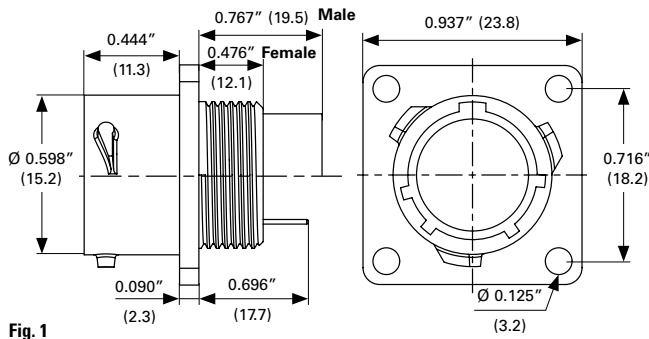


Fig. 1

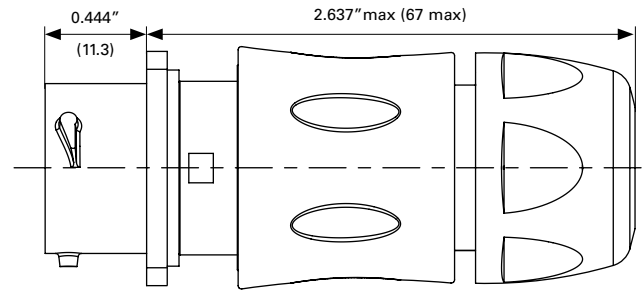


Fig. 2

Cable diameter acceptance: standard seal: from 0.098" to 0.314" (2.5 to 8), reduced seal: from 0.059" to 0.196" (1.5 to 5)

### Free hanging - UTSX1JC

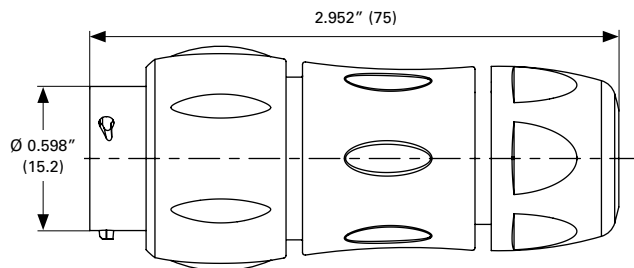


Fig. 3

Cable diameter acceptance: standard seal: from 0.098" to 0.314" (2.5 to 8), reduced seal: from 0.059" to 0.196" (1.5 to 5)

### Plug - UTSX6 and UTSX6JC

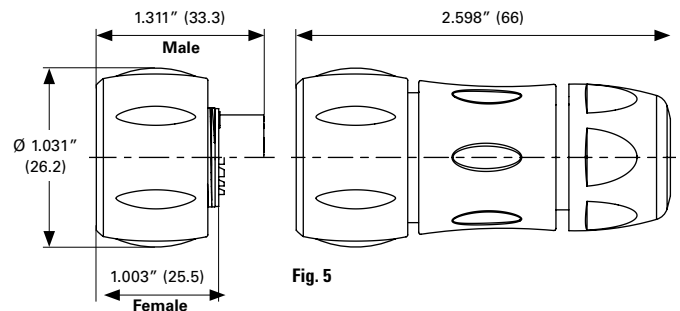


Fig. 4

Cable diameter acceptance: standard seal: from 0.098" to 0.314" (2.5 to 8), reduced seal: from 0.059" to 0.196" (1.5 to 5)

### Jam nut receptacle UTSX7

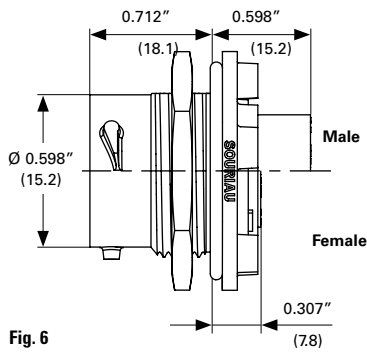


Fig. 6

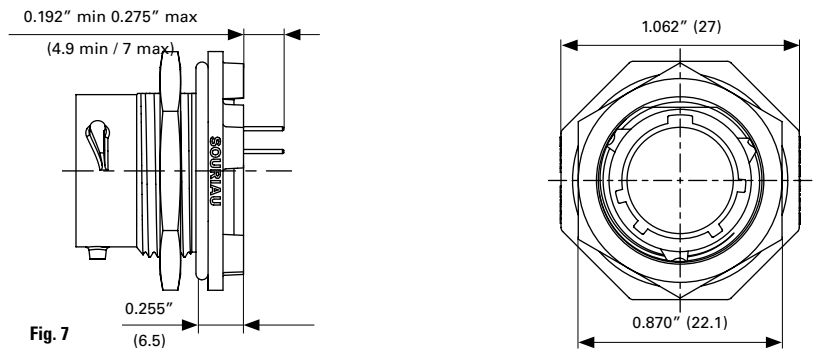
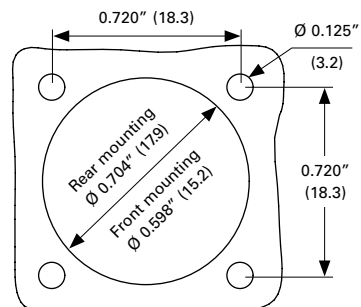


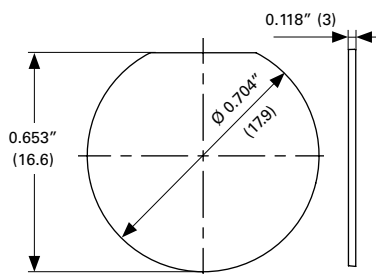
Fig. 7

### Panel cut out

#### Square flange receptacle - UTSX0



#### Jam nut receptacle - UTSX7



Dimensions in inches (millimeters)

# Souriau UTSX series

103 (Shell size 10, 2 + ground, 3x#16)

## Accessories

### Jam nut and free hanging receptacle sealing caps



Description	Part number
IP68	UTS10DCG
IP68 - Metal terminal	UTS10DCGR

### Square flange sealing cap



Description	Part number
IP68-Metal terminal	UTS10DCGE

### Plastic protective cap



Part number receptacle cap	Part number plug cap
85005586A	85005595

### Plug sealing cap



Description	Part number
IP68	UTS10DCGE

### Color coding rings



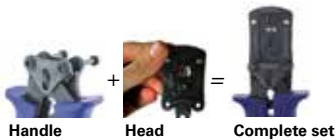
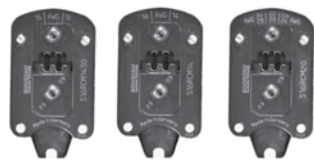
Description	Part number receptacles	Part number plugs
G for Green	UTS710CCRG	UTS610CCRG
Y for Yellow	UTS710CCRY	UTS610CCRY
R for Red	UTS710CCRR	UTS610CCRR

## Tooling

### #20 and #16 stamped or machined contacts



### Crimp tooling (without Shandles)



Description	Part number
Handle (without head)	Shandles
Box containing handle and several crimp tooling	Toolkit

Contact size	Contacts	Part number of Head
Standard contacts #16 Ø 0.062" (1.6)	RM/RC 28M1K <sup>(1)</sup>	S16RCM20*
	RM/RC 24M9K <sup>(1)</sup>	S16RCM20*
	RM/RC 20M13K <sup>(1)</sup>	S16RCM20*
	RM/RC 20M12K <sup>(1)</sup>	S16RCM20*
	RM/RC 16M23K <sup>(1)</sup>	S16RCM16*
	RM/RC 14M30K <sup>(1)</sup>	S16RCM14*
	SM/SC 24ML1TK6 <sup>(1)</sup>	S16SCM20*
	SM/SC 20ML1TK6 <sup>(1)</sup>	S16SCM20*
	SM/SC 16ML1TK6 <sup>(1)</sup>	S16SCML1*
	SM/SC 14ML1TK6 <sup>(1)</sup>	S16SCML1*
	SM/SC 16ML11TK6 <sup>(1)</sup>	S16SCML11*

(1) Example of plating, for other plating options see [Page 198](#)

\* Heads to be used with handle PN: SHANGLES

### #16, #12 and #8 machined contacts



Description	Part number
Crimp tool	M20S-1J
Die casts and stop bushings	See <a href="#">Page 210</a>

### Extraction tool #16

Fig. 1



Fig. 2



Description	Part number
Fig. 1	RX2025GE1
Fig. 2 - Long endurance tool	RX2031J

# Souriau UTSX series

103 (Shell size 10, 2 + ground, 3x#16)

## Contacts #16

Contact style	Contact type	Cable acceptance		Part number	Wire Ø max		Insulator Ø max			
		AWG	inch <sup>2</sup>		mm <sup>2</sup>	inch	mm	inch	mm	
Crimp contacts	Machined	30-28	0.002"-0.003"	0.05-0.08	<b>RM28M1K<sup>(1)</sup></b>	<b>RC28M1K<sup>(1)</sup></b>	0.021"	0.55	0.039"	1.00
		26-24	0.005"-0.009"	0.13-0.25	<b>RM24M9K<sup>(1)</sup></b>	<b>RC24M9K<sup>(1)</sup></b>	0.031"	0.80	0.062"	1.58
		22-20	0.012"-0.020"	0.32-0.52	<b>RM20M13K<sup>(1)</sup></b>	<b>RC20M13K<sup>(1)</sup></b>	0.045"	1.15	0.070"	1.80
		22-20	0.012"-0.020"	0.32-0.52	<b>RM20M12K<sup>(1)</sup></b>	<b>RC20M12K<sup>(1)</sup></b>	0.045"	1.15	0.086"	2.20
		20-16	0.020"-0.059"	0.52-1.48	<b>RM16M23K<sup>(1)</sup></b>	<b>RC16M23K<sup>(1)</sup></b>	0.070"	1.80	0.125"	3.20
		16-14	0.059"-0.098"	1.48-2.48	<b>RM14M30K<sup>(1)</sup></b>	<b>RC14M30K<sup>(1)</sup></b>	0.090"	2.30	0.125"	3.20
	Stamped and formed reeled contacts See note <sup>(2)</sup> for loose piece	26-24	0.005"-0.009"	0.13-0.25	<b>SM24M1TK6<sup>(1)(2)</sup></b>	<b>SC24M1TK6<sup>(1)(2)</sup></b>	–	–	0.035"-0.062"	0.90-1.58
		22-20	0.012"-0.020"	0.32-0.52	<b>SM20M1TK6<sup>(1)(2)</sup></b>	<b>SC20M1TK6<sup>(1)(2)</sup></b>	–	–	0.047"-0.082"	1.20-2.10
		18-16	0.031"-0.059"	0.80-1.48	<b>SM16M1TK6<sup>(1)(2)</sup></b>	<b>SC16M1TK6<sup>(1)(2)</sup></b>	–	–	0.125"	3.20
		18-16	0.031"-0.059"	0.80-1.48	<b>SM16M11TK6<sup>(1)(2)</sup></b>	<b>SC16M11TK6<sup>(1)(2)</sup></b>	–	–	0.118"	3.00
		14	0.098"	2.48	<b>SM14M1TK6<sup>(1)(2)</sup></b>	<b>SC14M1TK6<sup>(1)(2)</sup></b>	–	–	0.125"	3.20
		PCB	Machined <sup>(3)</sup>	–	–	<b>RM20M12E83K<sup>(1)</sup></b>	<b>RC20M12E84K<sup>(1)</sup></b>	–	–	–
Coaxial	Cable multipiece	see <b>Page 202</b>			<b>RMDXK10D28</b>	<b>RCDXK1D28</b>	–	–	–	–
	Cable monocrimp	see <b>Page 202</b>			<b>RMDX60xxD28</b>	<b>RCDX60xxD28</b>	–	–	–	–
	Twisted pair multipiece	see <b>Page 202</b>			<b>RMDXK10D28 + yorx090</b>	<b>RCDXK1D28 + yorx090</b>	–	–	–	–
	Twisted pair monocrimp	see <b>Page 202</b>			<b>RMDX60xxD28</b>	<b>RCDX60xxD28</b>	–	–	–	–
Fiber optic	POF contacts (Plastic optical fiber)	–			<b>RMPOF1000</b>	<b>RCPOF1000B</b>	–	–	–	–

(1) Example of plating, for other plating see **Page 198**

(2) Loose piece contact available by adding "L" after the "M" for the contact size and the plating. Example: SM20M1TK6 becomes SM20ML1TK6

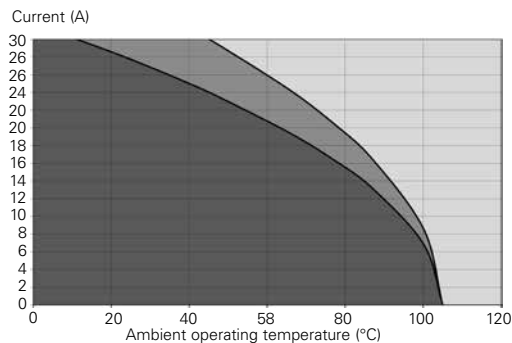
(3) For dimensions see **Page 205**

## Electrical characteristics

UL	CSA	IEC
10A 500V with AWG16 wire	7A 500V with AWG16 wire	16A 300V 4kV 3 temperature elevation: 50°C

Electrical information according to the IEC 61984, with pollution degree IV and overvoltage category III.

## UTSX 103 derating curves



- Current use
- Limited use
- Not recommended use

### Test conditions

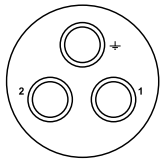
Contact used: machined contacts  
Wires used: 16 AWG

Derating curves based on continuous current application.



### Connector part number

#### UTSX 142G1



2 contacts + ground  
Up to 44A/600V per UL  
1977 with AWG8 wire

Contact type	Connector type	Backshell	Part number Male insert	Female insert
Crimp contacts supplied separately see <b>Page 30</b>	Square flange receptacle	Without (Fig. 1)	<b>UTSX0142G1P</b>	<b>UTSX0142G1S</b>
	Square flange receptacle	Cable gland (Fig. 2)	<b>UTSX0JC142G1P</b>	<b>UTSX0JC142G1S</b>
	Free hanging receptacle	Cable gland (Fig. 3)	<b>UTSX1JC142G1P</b>	<b>UTSX1JC142G1S</b>
	Plug	Without (Fig. 4)	<b>UTSX6142G1P</b>	<b>UTSX6142G1S</b>
	Plug	Cable gland (Fig. 5)	<b>UTSX6JC142G1P</b>	<b>UTSX6JC142G1S</b>
	Jam nut receptacle	Without (Fig. 6)	<b>UTSX7142G1P</b>	<b>UTSX7142G1S</b>
PCB contacts supplied separately see <b>Page 30</b>	Jam nut receptacle	Without (Fig. 7)	<b>UTSX7142G1P</b>	<b>UTSX7142G1S</b>

### Overmolded cable assembly part numbers

Please contact us directly for overmolded cable assemblies.

# Souriau UTSX series

142G1 (Shell size 14, 2 + ground, 3x#8)

## Dimensions (For mated connector lengths see Page 215)

### Square flange receptacle - UTSX0 and UTSX0JC

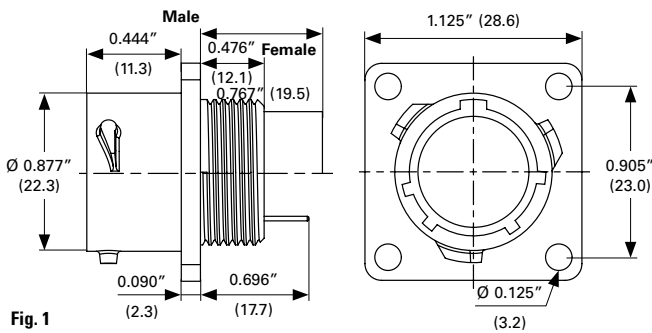


Fig. 1

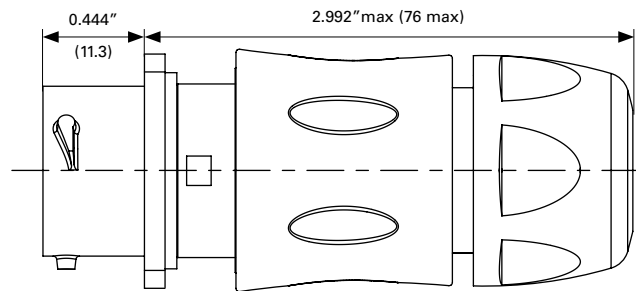


Fig. 2

Cable diameter acceptance: standard seal: from 0.275" to 0.551" (7 to 14), reduced seal: from 0.196" to 0.472" (5 to 12)

### Free hanging - UTSX1JC

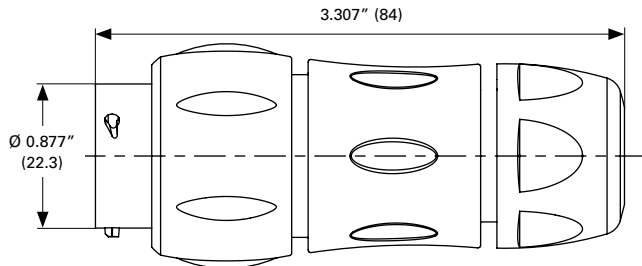


Fig. 3

Cable diameter acceptance: standard seal: from 0.275" to 0.551" (7 to 14), reduced seal: from 0.196" to 0.472" (5 to 12)

### Plug - UTSX6 and UTSX6JC

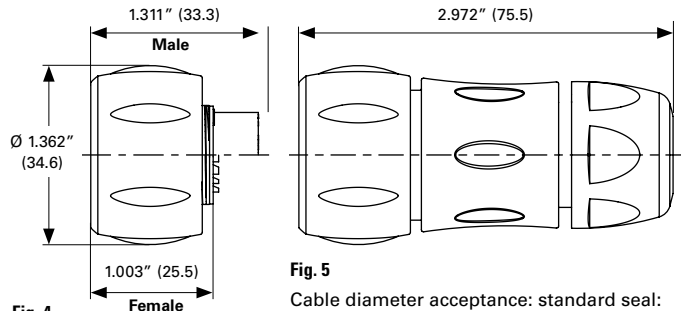


Fig. 4

Fig. 5

Cable diameter acceptance: standard seal: from 0.275" to 0.551" (7 to 14), reduced seal: from 0.196" to 0.472" (5 to 12)

### Jam nut receptacle UTSX7

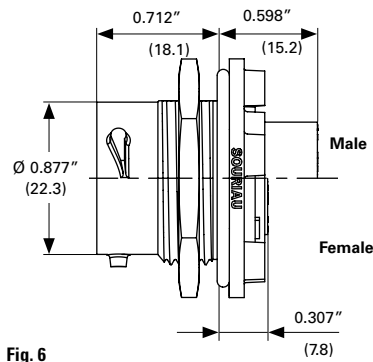


Fig. 6

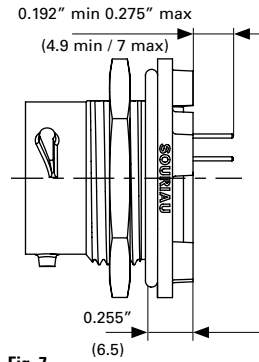
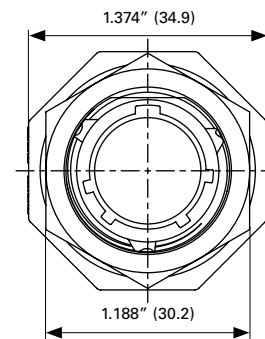
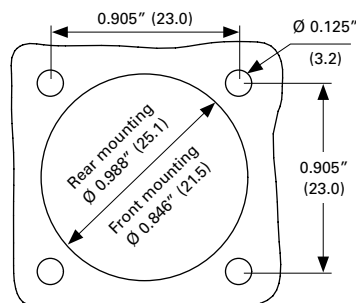


Fig. 7

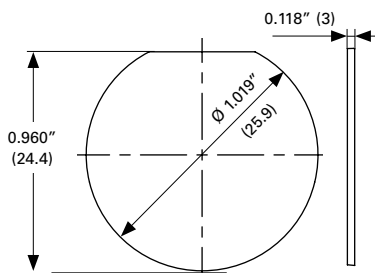


### Panel cut out

#### Square flange receptacle - UTSX0



#### Jam nut receptacle - UTSX7



Dimensions in inches (millimeters)

## Accessories

### Jam nut and free hanging receptacle sealing caps



Description	Part number
IP68	UTS14DCG
IP68 - Metal terminal	UTS14DCGR

### Plug sealing cap



Description	Part number
IP68	UTX614DCG

### Plastic protective cap



Part number receptacle cap	Part number plug cap
85005588A	85005597

### Gasket



Part number
UTFD14B

### Color coding rings



Description	Part number receptacles	Part number plugs
G for Green	UTS714CCRG	UTS614CCRG
Y for Yellow	UTS714CCRY	UTS614CCRY
R for Red	UTS714CCRR	UTS614CCRR

### Square flange sealing cap



Description	Part number
IP68-Metal terminal	UTS14DCGE

# Souriau UTSX series

142G1 (Shell size 14, 2 + ground, 3x#8)

## Tooling

### #8 machined contacts



Description	Part number
Shandle only	<b>M317</b>

### Positioner + Locator setting #8



Description	Part number
For crimp contacts #8 Ø 0.141" (3.6)	<b>VGE10078A</b>

### #16, #12 and #8 machined contacts



Description	Part number
Crimp tool	<b>M20S-1J</b>
Die casts and stop bushings	See <b>Page 210</b>

### Extraction tool #8



Description	Part number
For crimp contacts #8 Ø 0.141" (3.6)	<b>51060210936</b>

## Contacts #8

Contact style	Contact type	Cable acceptance		Part number		Wire Ø max inch		Insulator Ø max		
		AWG	inch <sup>2</sup>	mm <sup>2</sup>	Male	Female	mm	inch	mm	
Crimp contacts	Machined	16	0.059"	1.48	<b>82913601A<sup>(1)</sup></b>	<b>82913600A<sup>(1)</sup></b>	0.067"	1.72	0.255"	6.5
Crimp contacts	Machined	14	0.098"	2.48	<b>82913603A<sup>(1)</sup></b>	<b>82913602A<sup>(1)</sup></b>	0.087"	2.20	0.255"	6.5
Crimp contacts	Machined	12	0.157"	4.00	<b>82913605A<sup>(1)</sup></b>	<b>82913604A<sup>(1)</sup></b>	0.111"	2.82	0.255"	6.5
Crimp contacts	Machined	10	0.236"	6.00	<b>82913607A<sup>(1)</sup></b>	<b>82913606A<sup>(1)</sup></b>	0.137"	3.48	0.255"	6.5
Crimp contacts	Machined	8	0.393"	10.00	<b>82913609A<sup>(1)</sup></b>	<b>82913608A<sup>(1)</sup></b>	0.171"	4.35	0.255"	6.5
PCB	Machined <sup>(2)</sup>	—	—	—	<b>82911685NPC<sup>(1)</sup></b>	<b>82911684NPC<sup>(1)</sup></b>	—	—	—	—

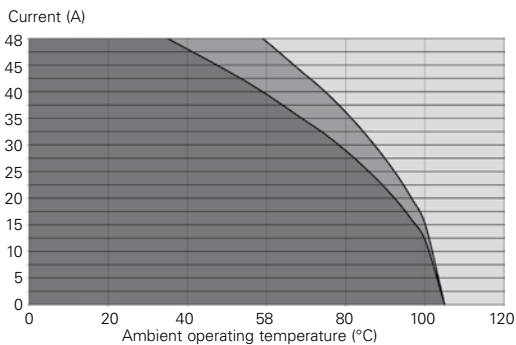
(1) Example of plating, for other plating see **Page 198**

(2) For dimensions see **Page 205**

## Electrical characteristics

UL	CSA	IEC
44A 600V with AWG8 wire	34A 600V with AWG8 wire	40A 300V 4kV 3

## UTSX 142G1 derating curves



- Current use
- Limited use
- Not recommended use

### Test conditions

Contact used: machined contacts  
Wires used: 8 AWG

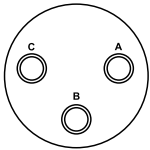
Derating curves based on continuous current application.

Dimensions in inches (millimeters)



## Connector part number

### UTSX 12E3/12D3



2 contacts  
13A/600V per  
UL 1977 with  
AWG16 wire

Contact type	Connector type	Backshell	Part number Male insert	Female insert
Hand solder electrical contacts loaded see <b>Page 34</b>	Square flange receptacle	Without (Fig. 1)	<b>UTSX012E3P</b>	<b>UTSX012E3S</b>
	Plug	Without (Fig. 2)	<b>UTSX612E3P</b>	<b>UTSX612E3S</b>
	Plug	Cable gland (Fig. 3)	<b>UTSX6JC12E3P</b>	<b>UTSX6JC12E3S</b>
	Jam nut receptacle	Without (Fig. 4)	<b>UTSX712E3P</b>	<b>UTSX712E3S</b>
PCB contacts loaded see <b>Page 34</b>	Square flange receptacle	Without (Fig. 2)	<b>UTSX012D3P</b>	<b>UTSX012D3S</b>
	Jam nut receptacle with stand off and without hold down clip	Without (Fig. 5)	<b>UTSX712D3P</b>	<b>UTSX712D3S</b>
	Jam nut receptacle with stand off and with hold down clips	Without (Fig. 6)	<b>UTSX712D3P32</b>	<b>UTSX712D3S32</b>

For discrimination/keying methods see **Page 223**

Sealed unmated  

## Overmolded cable assembly part numbers

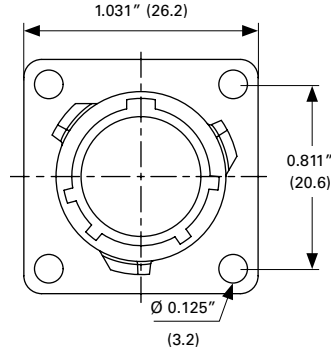
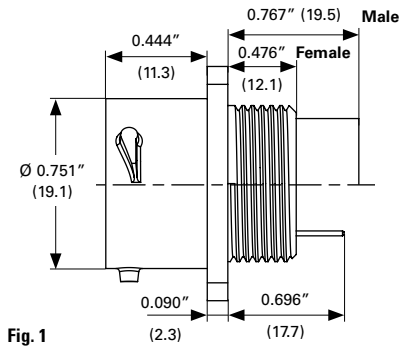
Please contact us directly for overmolded cable assemblies.

# Souriau UTSX series

12E3/12D3 (Shell size 12, 3x#16)

## Dimensions (For mated connector lengths see Page 215)

### Square flange receptacle - UTSX0



### Plug - UTSX6 and UTSX6JC

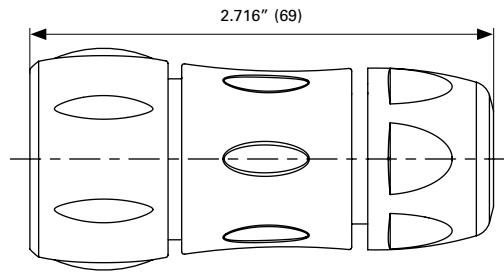
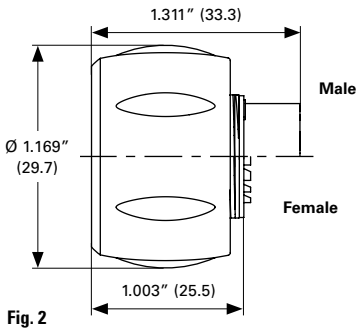


Fig. 3

Cable diameter acceptance: standard seal: from 0.098" to 0.472" (5 to 12), reduced seal: from 0.118" to 0.354" (3 to 9)

### Jam nut receptacle UTSX7

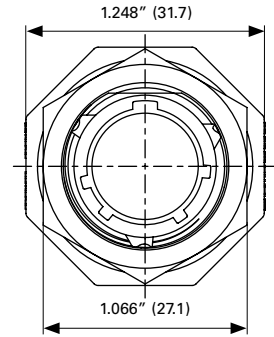
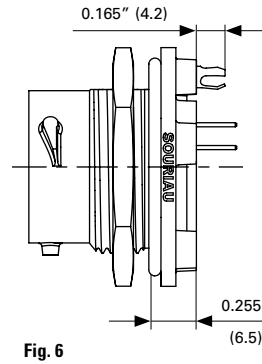
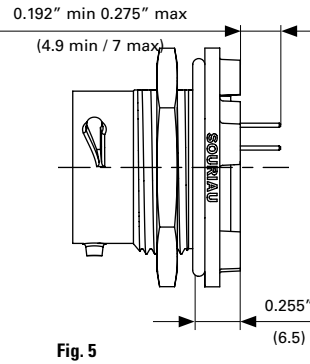
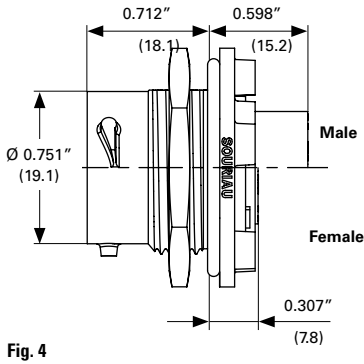


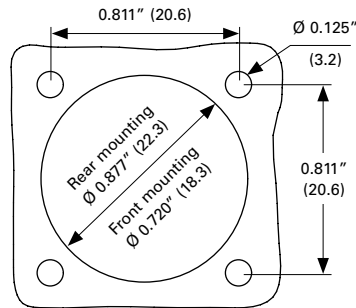
Fig. 4

Fig. 5

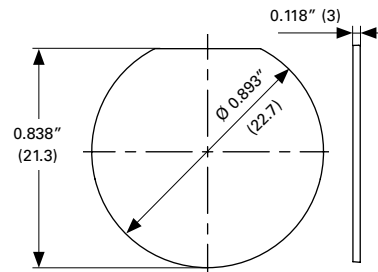
Fig. 6

### Panel cut out

#### Square flange receptacle - UTSX0



#### Jam nut receptacle - UTSX7



Dimensions in inches (millimeters)

## Accessories

### Jam nut and free hanging receptacle sealing caps



Description	Part number
IP68	<b>UTS12DCG</b>
IP68 - Metal terminal	<b>UTS12DCGR</b>

### Square flange sealing cap



Description	Part number
IP68 - Metal terminal	<b>UTS12DCGE</b>

### Plug sealing cap



Description	Part number
IP68	<b>UTX612DCG</b>

### Plastic protective cap



Part number receptacle cap	Part number plug cap
85005587A	<b>85005596</b>

### Gasket



Part number
<b>UTFD13B</b>

### Color coding rings



Description	Part number receptacles	Part number plugs
G for Green	<b>UTS712CCRG</b>	<b>UTS612CCRG</b>
Y for Yellow	<b>UTS712CCRY</b>	<b>UTS612CCRY</b>
R for Red	<b>UTS712CCRR</b>	<b>UTS612CCRR</b>

# Souriau UTSX series

12E3/12D3 (Shell size 12, 3x#16)

## Contacts #16

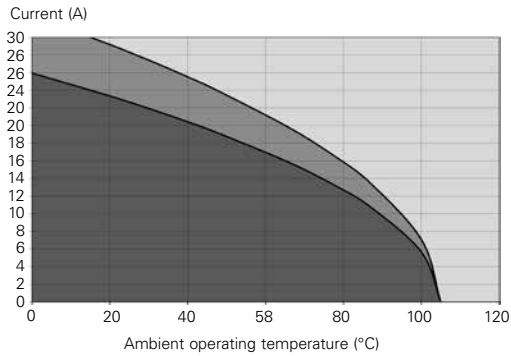
Contact type	Plating	Cable acceptance		Wire stripping length		
		(AWG)	inch <sup>2</sup>	mm <sup>2</sup>	inch	mm
Hand solder Loaded in the connector	Min 0.4µ gold over 0.8µ Ni	18-14	0.031"-0.098"	0.80-2.48	0.196"	5
PCB Machined <sup>(1)</sup>	Min 0.4µ gold over 0.8µ Ni	-	-	-	-	-

(1) For dimensions see **Page 205**

## Electrical characteristics

UL	CSA	IEC
13A 600V with AWG16 wire	13A 600V with AWG16 wire	16A 150V 2.5kV 3

## UTSX 12E3/12D3 derating curves



- Current use
- Limited use
- Not recommended use

### Test conditions

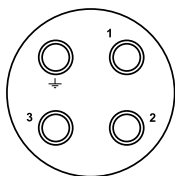
Contact used: machined contacts  
Wires used: 16 AWG

Derating curves based on continuous current application.



## Connector part number

### UTSX 124



3 contacts + ground  
16A/500V per UL 1977  
with AWG14 wire

### 12E4/12D4

3 contacts + ground  
13A/600V per UL 1977  
with AWG16 wire

Contact type	Connector type	Backshell	Part number Male insert	Female insert
Crimp contacts supplied separately see <b>Page 39</b>	Square flange receptacle	Without (Fig. 1)	<b>UTSX0124P</b>	<b>UTSX0124S</b>
		Cable gland (Fig. 2)	<b>UTSX0JC124P</b>	<b>UTSX0JC124S</b>
	Free hanging receptacle	Cable gland (Fig. 3)	<b>UTSX1JC124P</b>	<b>UTSX1JC124S</b>
	Plug	Without (Fig. 4)	<b>UTSX6124P</b>	<b>UTSX6124S</b>
		Cable gland (Fig. 5)	<b>UTSX6JC124P</b>	<b>UTSX6JC124S</b>
	Jam nut receptacle	Without (Fig. 6)	<b>UTSX7124P</b>	<b>UTSX7124S</b>
Screw contacts loaded	Free hanging receptacle	Cable gland (Fig. 3)	<b>UTSX1JC124PSCR</b>	–
	Plug	Cable gland (Fig. 5)	<b>UTSX6JC124PSCR</b>	<b>UTSX6JC124SSCR</b>
	Jam nut receptacle	Without (Fig. 9)	<b>UTSX7124PSCR</b>	<b>UTSX7124SSCR</b>
PCB contacts supplied separately see <b>Page 39</b>	Square flange receptacle	Without (Fig. 1)	<b>UTSX0124P</b>	<b>UTSX0124S</b>
	Jam nut receptacle	Without (Fig. 7)	<b>UTSX7124P</b>	<b>UTSX7124S</b>
Handsold electrical contacts loaded see <b>Page 39</b>	Square flange receptacle	Without (Fig. 1)	<b>UTSX012E4P</b>	<b>UTSX012E4S</b>
		Plug	Without (Fig. 4)	<b>UTSX612E4P</b>
	Jam nut receptacle	Cable gland (Fig. 5)	<b>UTSX6JC12E4P</b>	<b>UTSX6JC12E4S</b>
		Without (Fig. 6)	<b>UTSX712E4P</b>	<b>UTSX712E4S</b>
PCB contacts loaded	Square flange receptacle	Without (Fig. 3)	<b>UTSX012D4P</b>	<b>UTSX012D4S</b>
	Jam nut receptacle with stand off and without hold down clip	Without (Fig.7)	<b>UTSX712D4P</b>	<b>UTSX712D4S</b>
	Jam nut receptacle with stand off and with hold down clips	Without (Fig. 8)	<b>UTSX712D4P32</b>	<b>UTSX712D4S32</b>

Sealed unmated

## Overmolded cable assembly part numbers

Please contact us directly for overmolded cable assemblies.

# Souriau UTSX series

124 - 12E4/12D4 (Shell size 12, 3 + ground, 4x#16)

## Dimensions (For mated connector lengths see Page 215)

### Square flange receptacle - UTSX0 and UTSX0JC

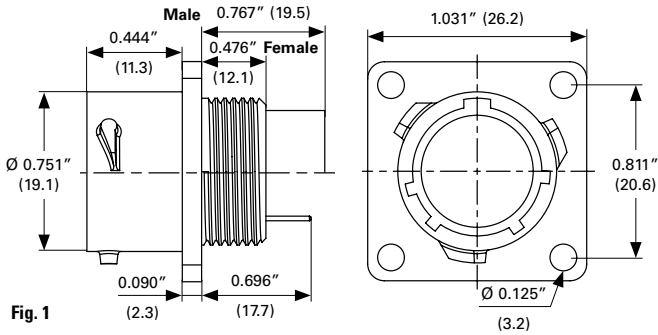


Fig. 1

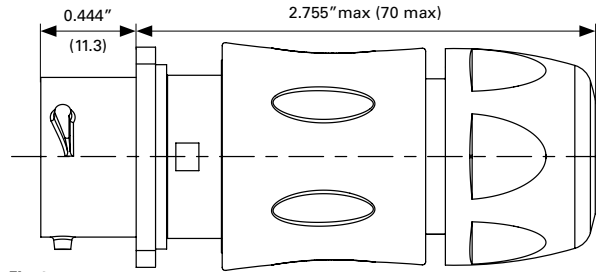


Fig. 2

Cable diameter acceptance: standard seal: from 0.098" to 0.472" (5 to 12), reduced seal: from 0.118" to 0.354" (3 to 9)

### Free hanging - UTSX1JC

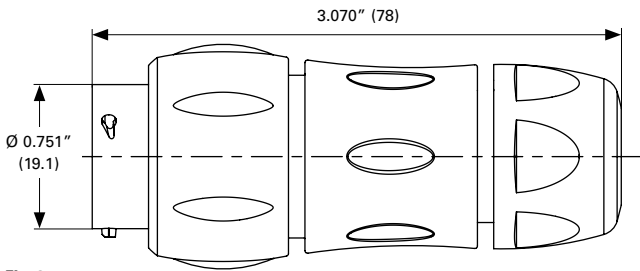


Fig. 3

Cable diameter acceptance: standard seal: from 0.098" to 0.472" (5 to 12), reduced seal: from 0.118" to 0.354" (3 to 9)

### Plug - UTSX6 and UTSX6JC

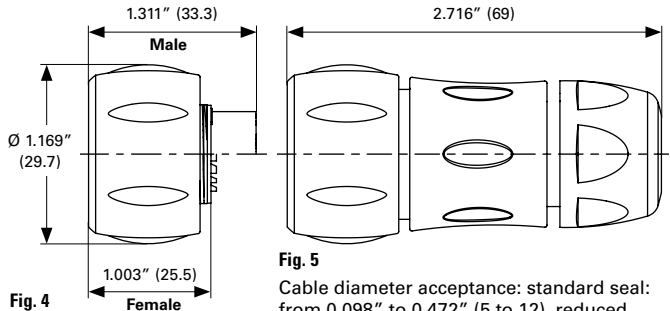


Fig. 4

Fig. 5

Cable diameter acceptance: standard seal: from 0.098" to 0.472" (5 to 12), reduced seal: from 0.118" to 0.354" (3 to 9)

### Jam nut receptacle UTSX7

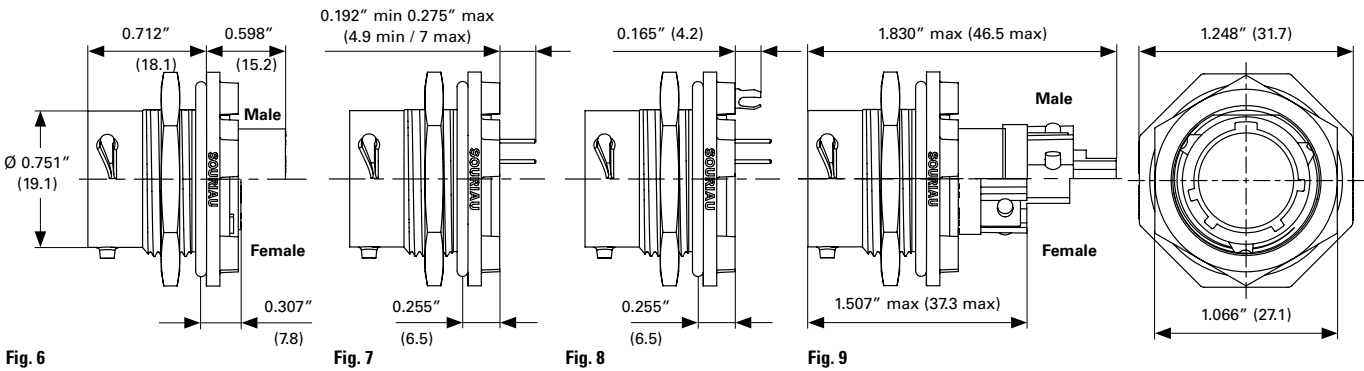


Fig. 6

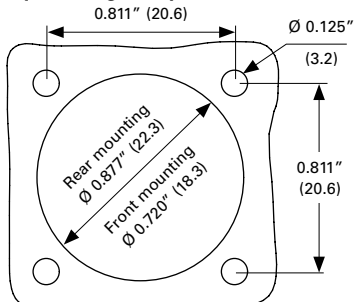
Fig. 7

Fig. 8

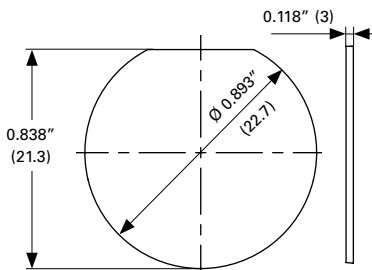
Fig. 9

### Panel cut out

#### Square flange receptacle - UTSX0



#### Jam nut receptacle - UTSX7



Dimensions in inches (millimeters)

## Accessories

### Jam nut and free hanging receptacle sealing caps



Description	Part number
IP68	UTS12DCG
IP68 - Metal terminal	UTS12DCGR

### Square flange sealing cap



Description	Part number
IP68 - Metal terminal	UTS12DCGE

### Plug sealing cap



Description	Part number
IP68	UTX612DCG

### Plastic protective cap



Part number receptacle cap	Part number plug cap
85005587A	85005596

### Gasket



Part number
UTFD13B

### Color coding rings



Description	Part number receptacles	Part number plugs
G for Green	UTS712CCRG	UTS612CCRG
Y for Yellow	UTS712CCRY	UTS612CCRY
R for Red	UTS712CCRR	UTS612CCRR

# Souriau UTSX series

124 - 12E4/12D4 (Shell size 12, 3 + ground, 4x#16)

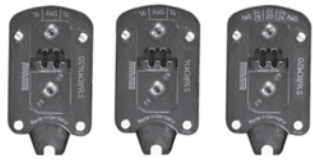
## Tooling

### #16 stamped or machined contacts



Description	Part number
Handle (without head)	<b>Shandles</b>
Box containing handle and several crimp tooling	<b>Toolkit</b>

### Crimp tooling (without Shandles)



Contact size	Contacts	Part number of Head
Standard contacts	<b>RM/RC 28M1K<sup>(1)</sup></b>	<b>S16RCM20*</b>
#16	<b>RM/RC 24M9K<sup>(1)</sup></b>	<b>S16RCM20*</b>
Ø 0.062" (1.6)	<b>RM/RC 20M13K<sup>(1)</sup></b>	<b>S16RCM20*</b>
	<b>RM/RC 20M12K<sup>(1)</sup></b>	<b>S16RCM20*</b>
	<b>RM/RC 16M23K<sup>(1)</sup></b>	<b>S16RCM16*</b>
	<b>RM/RC 14M30K<sup>(1)</sup></b>	<b>S16RCM14*</b>
	<b>SM/SC 24ML1TK6<sup>(1)</sup></b>	<b>S16SCM20*</b>
	<b>SM/SC 20ML1TK6<sup>(1)</sup></b>	<b>S16SCM20*</b>
	<b>SM/SC 16ML1TK6<sup>(1)</sup></b>	<b>S16SCML1*</b>
	<b>SM/SC 14ML1TK6<sup>(1)</sup></b>	<b>S16SCML1*</b>
	<b>SM/SC 16ML11TK6<sup>(1)</sup></b>	<b>S16SCML11*</b>

(1) Example of plating, for other plating options see **Page 198**  
 \* Heads to be used with handle PN: SHANDLES

### #16, #12 and #8 machined contacts



Description	Part number
Crimp tool	<b>M20S-1J</b>
Die casts and stop bushings	See <b>Page 210</b>

### Extraction tool #16



Description	Part number
<b>Fig. 1</b>	<b>RX2025GE1</b>
<b>Fig. 2 - Long endurance tool</b>	<b>RX2031J</b>

**Contacts #16**

Contact style	Contact type	Cable acceptance		Cable acceptance		Part number		Wire Ø max		Insulator Ø max	
		AWG	inch <sup>2</sup>	mm <sup>2</sup>	Male	Female	inch	mm	inch	mm	
Crimp contacts	Machined	30-28	0.002"-0.003"	0.05-0.08	RM28M1K <sup>(1)</sup>	RC28M1K <sup>(1)</sup>	0.021"	0.55	0.039"	1.00	
		26-24	0.005"-0.009"	0.13-0.25	RM24M9K <sup>(1)</sup>	RC24M9K <sup>(1)</sup>	0.031"	0.80	0.062"	1.58	
		22-20	0.012"-0.020"	0.32-0.52	RM20M13K <sup>(1)</sup>	RC20M13K <sup>(1)</sup>	0.045"	1.15	0.070"	1.80	
		22-20	0.012"-0.020"	0.32-0.52	RM20M12K <sup>(1)</sup>	RC20M12K <sup>(1)</sup>	0.045"	1.15	0.086"	2.20	
		20-16	0.020"-0.059"	0.52-1.48	RM16M23K <sup>(1)</sup>	RC16M23K <sup>(1)</sup>	0.070"	1.80	0.125"	3.20	
		16-14	0.059"-0.098"	1.48-2.48	RM14M30K <sup>(1)</sup>	RC14M30K <sup>(1)</sup>	0.090"	2.30	0.125"	3.20	
	Stamped and formed reeled contacts See note <sup>(2)</sup> for loose piece	26-24	0.005"-0.009"	0.13-0.25	SM24M1TK6 <sup>(1)(2)</sup>	SC24M1TK6 <sup>(1)(2)</sup>	-	-	0.035"-0.062"	0.90-1.58	
		22-20	0.012"-0.020"	0.32-0.52	SM20M1TK6 <sup>(1)(2)</sup>	SC20M1TK6 <sup>(1)(2)</sup>	-	-	0.047"-0.082"	1.20-2.10	
		18-16	0.031"-0.059"	0.80-1.48	SM16M1TK6 <sup>(1)(2)</sup>	SC16M1TK6 <sup>(1)(2)</sup>	-	-	0.125"	3.20	
		18-16	0.031"-0.059"	0.80-1.48	SM16M11TK6 <sup>(1)(2)</sup>	SC16M11TK6 <sup>(1)(2)</sup>	-	-	0.118"	3.00	
		14	0.098"	2.48	SM14M1TK6 <sup>(1)(2)</sup>	SC14M1TK6 <sup>(1)(2)</sup>	-	-	0.125"	3.20	
	PCB	Machined <sup>(3)</sup>	-	-	-	RM20M12E83K <sup>(1)</sup>	RC20M12E84K <sup>(1)</sup>	-	-	-	-
	Coaxial	Cable multipiece	see <b>Page 202</b>			RMDX10D28	RCDXK1D28	-	-	-	-
		Cable monocrimp				RMDX60xxD28	RCDX60xxD28	-	-	-	-
Twisted pair multipiece					RMDX10D28 + yorx090	RCDXK1D28 + yorx090	-	-	-	-	
Twisted pair monocrimp					RMDX60xxD28	RCDX60xxD28	-	-	-	-	
Fiber optic	POF contacts (Plastic optical fiber)	-	-	-	RMPOF1000	RCPOF1000B	-	-	-	-	
Handsoldier	Loaded in the connector	14-18	0.098"-0.031"	2.48-0.80	-	-	-	-	-	-	

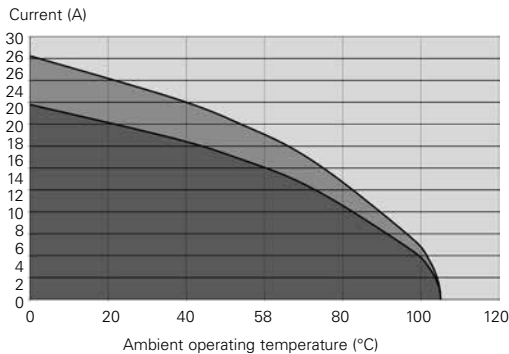
(1) Example of plating, for other plating see **Page 198**

(2) Loose piece contact available by adding "L" after the "M" for the contact size and the plating. Example: SM20M1TK6 becomes SM20ML1TK6 (3): For dimensions see **Page 205**

**Electrical characteristics**

UL	CSA	IEC
UTSX 124 16A 500V with AWG14 wire	16A 500V with AWG14 wire	16A 150V 2.5kV 3 temperature elevation: 50°C
UTSX 12E4/12D4 13A 600V with AWG16 wire	13A 600V with AWG16 wire	16A 150V 2.5kV 3 temperature elevation: 50°C

**UTSX 124 - 12E4/12D4 derating curves**



- Current use
- Limited use
- Not recommended use

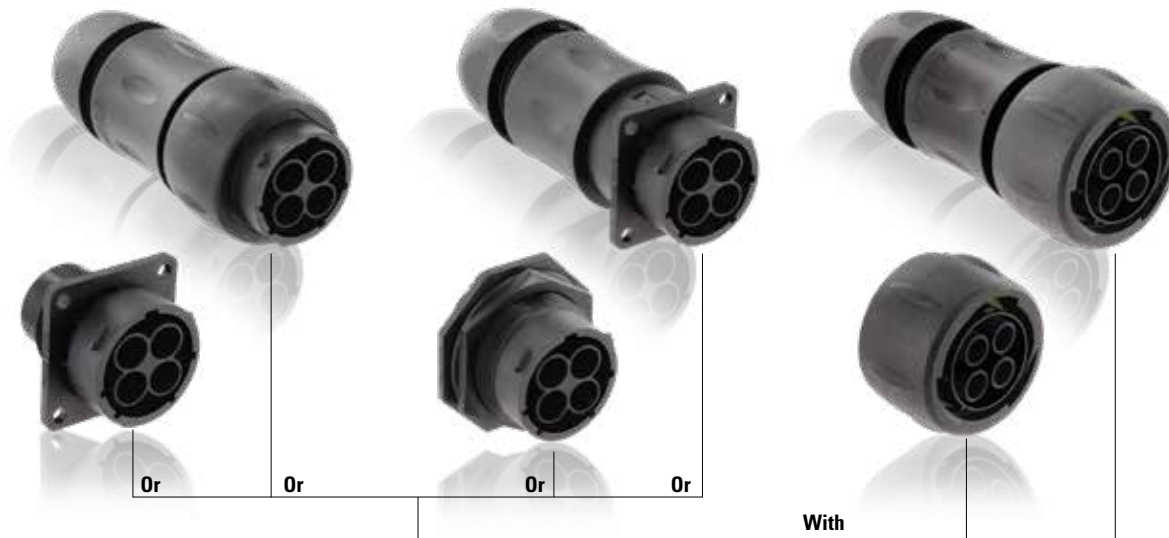
**Test conditions**

Contact used: machined contacts  
Wires used: 16 AWG

Derating curves based on continuous current application.

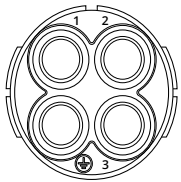
# Souriau UTSX series

163G1 (Shell size 16, 3 + ground, 4 x #8)



## Connector part number

### UTSX 163G1



3 contacts + ground  
46A/600V per UL 1977  
with AWG8 wire

Contact type	Connector type	Backshell	Part number Male insert	Female insert
Crimp contacts supplied separately see <b>Page 43</b>	Square flange receptacle	Without (Fig. 1)	<b>UTSX0163G1P</b>	<b>UTSX0163G1S</b>
	Square flange receptacle	Cable gland (Fig. 2)	<b>UTSX0JC163G1P</b>	<b>UTSX0JC163G1S</b>
	Free hanging receptacle	Cable gland (Fig. 3)	<b>UTSX1JC163G1P</b>	<b>UTSX1JC163G1S</b>
	Plug	Without (Fig. 4)	<b>UTSX6163G1P</b>	<b>UTSX6163G1S</b>
	Plug	Cable gland (Fig. 5)	<b>UTSX6JC163G1P</b>	<b>UTSX6JC163G1S</b>
	Jam nut receptacle	Without (Fig. 6)	<b>UTSX7163G1P</b>	<b>UTSX7163G1S</b>
	Jam nut receptacle with stand off and with hold down clips	Without (Fig. 8)	<b>UTSX7163G1P32</b>	<b>UTSX7163G1S32</b>
PCB contacts supplied separately see <b>Page 43</b>	Square flange receptacle	Without (Fig. 1)	<b>UTSX0163G1P</b>	<b>UTSX0163G1S</b>
	Jam nut receptacle	Without (Fig. 7)	<b>UTSX7163G1P</b>	<b>UTSX7163G1S</b>

For discrimination/keying methods see **Page 223**

## Overmolded cable assembly part numbers

Please contact us directly for overmolded cable assemblies.

**Dimensions** (For mated connector lengths see Page 215)

**Square flange receptacle - UTSX0 and UTSX0JC**

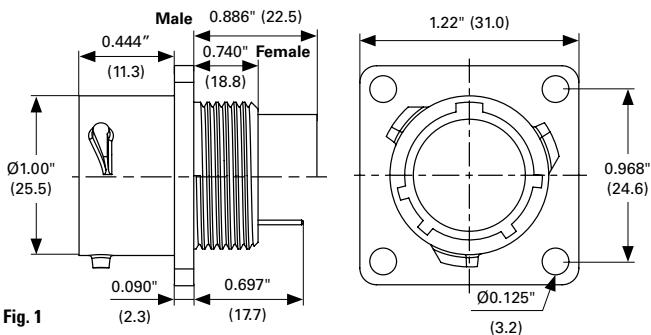


Fig. 1

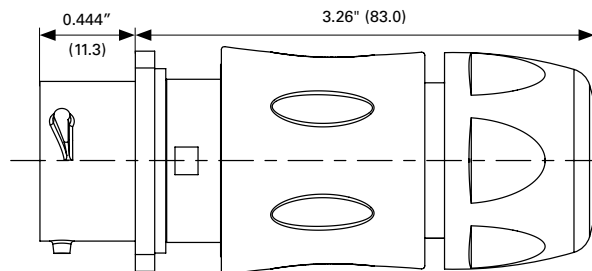


Fig. 2

Cable diameter acceptance: standard seal: from 0.472" to 0.630" (12 to 16), reduced seal: from 0.354" to 0.472" (9 to 12).

**Free hanging - UTSX1JC and UTSXGJC**

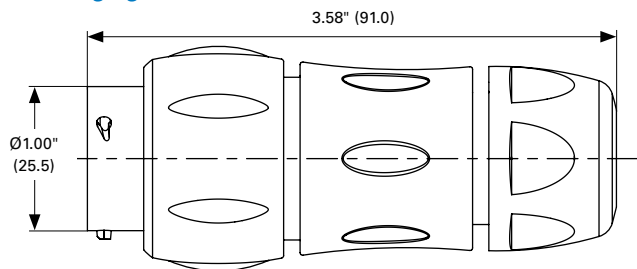


Fig. 3

Cable diameter acceptance: standard seal: from 0.472" to 0.630" (12 to 16), reduced seal: from 0.354" to 0.472" (9 to 12).

**Plug - UTSX6 and UTSX6JC**

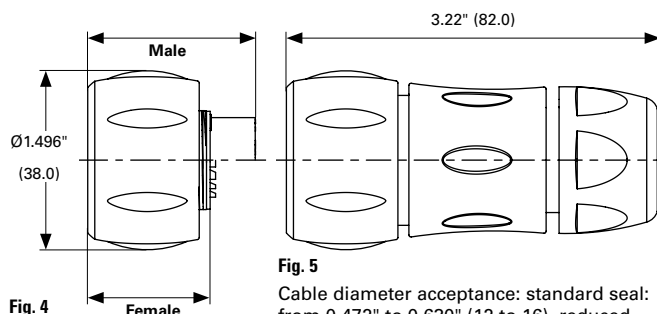


Fig. 4

Fig. 5

Cable diameter acceptance: standard seal: from 0.472" to 0.630" (12 to 16), reduced seal: from 0.354" to 0.472" (9 to 12).

**Jam nut receptacle UTSX7**

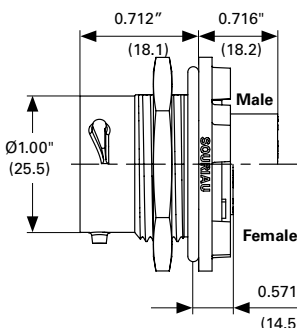


Fig. 6

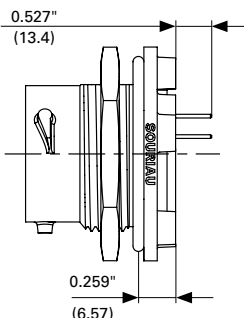


Fig. 7

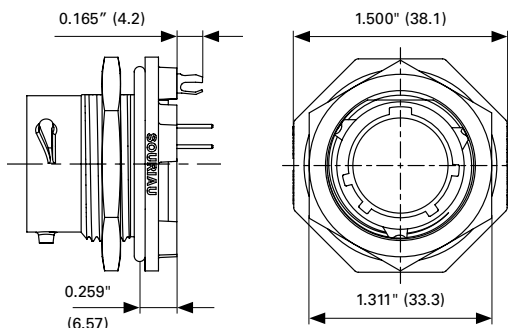
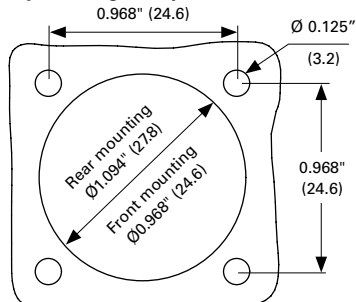


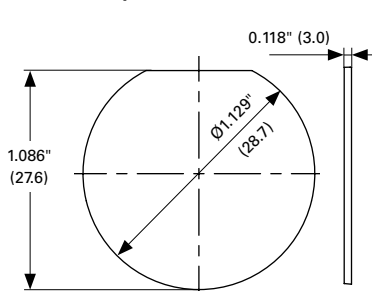
Fig. 8

**Panel cut out**

**Square flange receptacle - UTSX0**



**Jam nut receptacle - UTSX7**



Dimensions in inches (millimeters)

# Souriau UTSX series

163G1 (Shell size 16, 3 + ground, 4 x #8)

## Accessories

### Jam nut and free hanging receptacle sealing caps



Description	Part number
IP68	UTS16DCG
IP68 - Metal terminal	UTS16DCGR

### Square flange sealing cap



Description	Part number
IP68 - Metal terminal	UTS16DCGE

### Plug sealing cap



Description	Part number
IP68	UTS616DCG

### Plastic protective cap



Part number receptacle cap	Part number plug cap
85005589A	85005598

### Gasket



Part number
UTFD15B

### Color coding rings



Description	Part number receptacles	Part number plugs
G for Green	UTS716CCRG	UTS616CCRG
Y for Yellow	UTS716CCRY	UTS616CCRY
R for Red	UTS716CCRR	UTS616CCRR

## Tooling

### #8 Machine contacts



Contact size	Part number
Shandle only	M317

### Positioner + Locator setting #8



Contact size	Part number
For Crimp Contacts #8 Ø 0.141" (3.6)	VGE10078A

### Extraction tool #8



Description	Part number
For Crimp Contacts #8 Ø 0.141" (3.6)	51060210936

### Contacts #8

Contact style	Contact type	Cable acceptance		Part number		Wire Ø max inch		Insulator Ø max		
		AWG	inch <sup>2</sup>	mm <sup>2</sup>	Male	Female	mm	inch	mm	
Crimp contacts	Machined	16	0.059"	1.48	82913601A <sup>(1)</sup>	82913600A <sup>(1)</sup>	0.067"	1.72	0.255"	6.5
Crimp contacts	Machined	14	0.098"	2.48	82913603A <sup>(1)</sup>	82913602A <sup>(1)</sup>	0.087"	2.20	0.255"	6.5
Crimp contacts	Machined	12	0.157"	4.00	82913605A <sup>(1)</sup>	82913604A <sup>(1)</sup>	0.111"	2.82	0.255"	6.5
Crimp contacts	Machined	10	0.236"	6.00	82913607A <sup>(1)</sup>	82913606A <sup>(1)</sup>	0.137"	3.48	0.255"	6.5
Crimp contacts	Machined	8	0.393"	10.00	82913609A <sup>(1)</sup>	82913608A <sup>(1)</sup>	0.171"	4.35	0.255"	6.5
PCB	Machined <sup>(2)</sup>	–			82911685NPC <sup>(1)</sup>	82911684NPC <sup>(1)</sup>	–	–	–	–

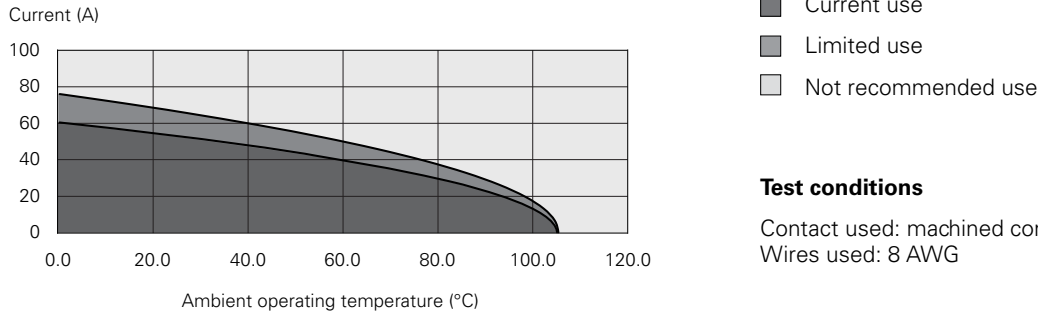
(1): Example of plating, for other plating see **Page 198**

(2): for dimensions see **Page 205**

### Electrical characteristics

UL	CSA	IEC
UTSX 163G1 46A 600V	46A 600V	46A 400V 6KV 3

### UTSX 163G1 derating curves



#### Test conditions

Contact used: machined contacts  
Wires used: 8 AWG

Derating curves based on continuous current application.

Dimensions in inches (millimeters)

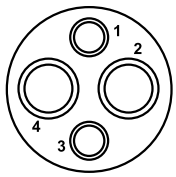
# Souriau UTSX series

102W2 (Shell size 10, 2x#20, 2x12)



## Connector part number

### UTSX 102W2



4 contacts  
 26A/600V per UL1977  
 with AWG12 wire  
 7.5A/250V per UL1977  
 with AWG20 wire  
 (qualification pending)

Contact type	Connector type	Backshell	Part number Male insert	Female insert
Crimp contacts supplied separately see <b>Page 48</b>	Square flange receptacle	Without (Fig. 1)	<b>UTSX0102W2P</b>	<b>UTSX0102W2S</b>
	Square flange receptacle	Cable gland (Fig. 2)	<b>UTSX0JC102W2P</b>	<b>UTSX0JC102W2S</b>
	Free hanging receptacle	Cable gland (Fig. 3)	<b>UTSX1JC102W2P</b>	<b>UTSX1JC102W2S</b>
	Plug	Without (Fig. 4)	<b>UTSX6102W2P</b>	<b>UTSX6102W2S</b>
	Plug	Cable gland (Fig. 5)	<b>UTSX6JC102W2P</b>	<b>UTSX6JC102W2S</b>
	Jam nut receptacle	Without (Fig. 6)	<b>UTSX7102W2P</b>	<b>UTSX7102W2S</b>

## Dimensions (For mated connector lengths see Page 215)

### Square flange receptacle - UTSX0 and UTSX0JC

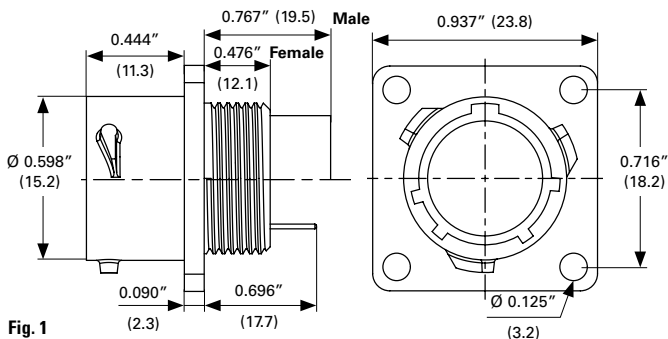


Fig. 1

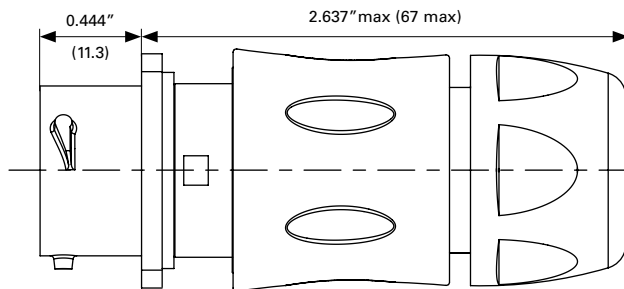


Fig. 2

Cable diameter acceptance: standard seal: from 0.098" to 0.314" (2.5 to 8), reduced seal: from 0.059" to 0.196" (1.5 to 5)

### Free hanging - UTSX1JC

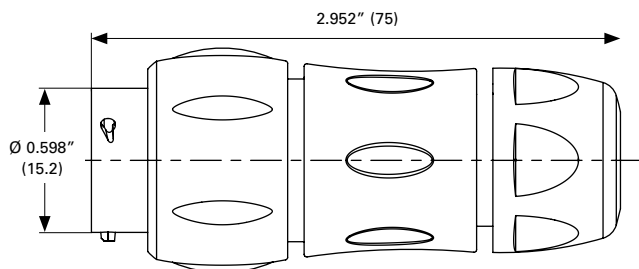


Fig. 3

Cable diameter acceptance: standard seal: from 0.098" to 0.314" (2.5 to 8), reduced seal: from 0.059" to 0.196" (1.5 to 5)

### Free hanging - UTSX1JC

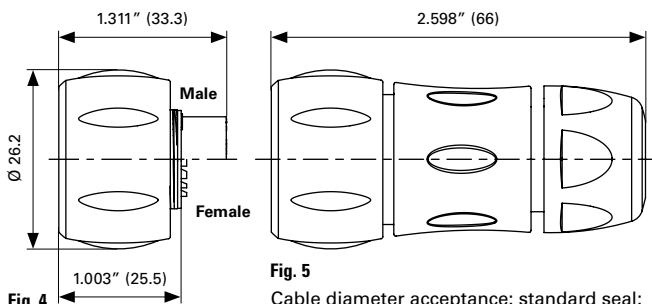


Fig. 4

Fig. 5

Cable diameter acceptance: standard seal: from 0.098" to 0.314" (2.5 to 8), reduced seal: from 0.059" to 0.196" (1.5 to 5)

### Jam nut receptacle UTSX7

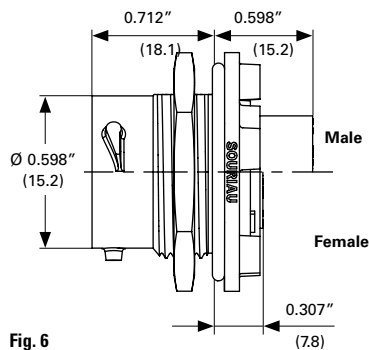
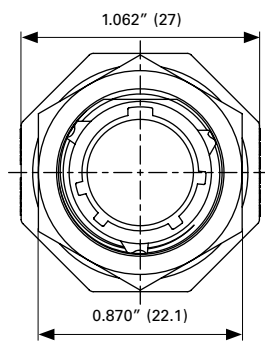
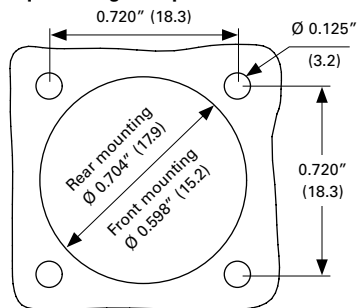


Fig. 6

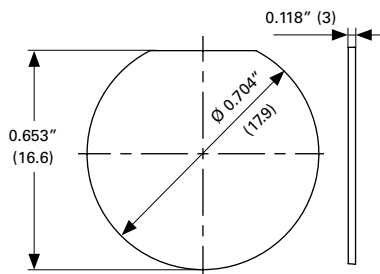


### Panel cut out

#### Square flange receptacle - UTSX0



#### Jam nut receptacle - UTSX7



Dimensions in inches (millimeters)

# Souriau UTSX series

102W2 (Shell size 10, 2x#20, 2x12)

## Accessories

### Jam nut and free hanging receptacle sealing caps



Description	Part number
IP68	<b>UTS10DCG</b>
IP68 - Metal terminal	<b>UTS10DCGR</b>

### Plug sealing cap



Description	Part number
IP68	<b>UTX610DCG</b>

### Plastic protective cap



Part number receptacle cap	Part number plug cap
<b>85005586A</b>	<b>85005595</b>

### Gasket



Part number
<b>UTFD12B</b>

### Color coding rings



Description	Part number receptacles	Part number plugs
G for Green	<b>UTS710CCRG</b>	<b>UTS610CCRG</b>
Y for Yellow	<b>UTS710CCRY</b>	<b>UTS610CCRY</b>
R for Red	<b>UTS710CCRR</b>	<b>UTS610CCRR</b>

### Square flange sealing cap



Description	Part number
IP68 - Metal terminal	<b>UTS10DCGE</b>

## Tooling

### #20 machined and stamped contacts



Description	Part number
Handle (without head)	Shandles
Box containing handle and several crimp tooling	Toolkit

### Crimp tooling (without Shandles)



Contact size	Contacts	Part number of Head
Standard contacts #20 Ø 0.039" (1)	RM/RC 24W3K <sup>(1)</sup>	S20RCM*
	RM/RC 20W3K <sup>(1)</sup>	S20RCM*
	RM/RC 18W3K <sup>(1)</sup>	S20RCM*
	SM/SC 24WL3 <sup>(1)(2)</sup>	S20SCM20*
	SM/SC 20WL3 <sup>(1)(2)</sup>	S20SCM20*

(1) Example of plating, for other plating options see **Page 198**

(2) Loose contact

\* Heads to be used with handle PN: SHANDLES

### Crimp tooling #12



Contact size	Part number hand tool	Part number positioner + locator setting
Standard contacts #12 Ø 0.094" (2,4)	M317	VGE10077A

### #16, #12 and #8 machined contacts



Description	Part number
Crimp tool	<b>M20S-1J</b>
Die casts and stop bushings	See <b>Page 210</b>

### Extraction tool



Description	Part number
<b>Fig. 1</b> - Contacts #20 Ø 0.039" (1)	RX20D44
<b>Fig. 2</b> - Contacts #12 Ø 0.094" (2,4)	51060210924

# Souriau UTSX series

102W2 (Shell size 10, 2x#20, 2x12)

## Contacts #20

Contact style	Contact type	Cable acceptance		Part number		Wire Ø max		Insulator Ø max		
		AWG	inch <sup>2</sup>	mm <sup>2</sup>	Male	Female	inch	mm	inch	mm
Crimp contacts	Machined	26-24	0.005"-0.009"	0.13-0.25	<b>RM24W3K</b>	<b>RC24W3K</b>	0.031"	0.80	0.062"	1.58
		22-20	0.012"-0.020"	0.32-0.52	<b>RM20W3K</b>	<b>RC20W3K</b>	0.045"	1.15	0.070"	1.80
		20-18	0.020"-0.031"	0.52-0.80	<b>RM18W3K</b>	<b>RC18W3K</b>	0.051"	1.30	0.082"	2.10
	Stamped and formed reeled contacts See note <sup>(1)</sup> for loose piece	26-24	0.005"-0.009"	0.13-0.25	<b>SM24W3TK6<sup>(1)</sup></b>	<b>SC24W3TK6<sup>(1)</sup></b>	–	–	0.035"-0.062"	0.90-1.60
		26-24	0.005"-0.009"	0.13-0.25	<b>SM24W3S26<sup>(1)</sup></b>	<b>SC24W3S25<sup>(1)</sup></b>	–	–	0.035"-0.062"	0.90-1.60
		22-20	0.012"-0.020"	0.32-0.52	<b>SM20W3TK6<sup>(1)</sup></b>	<b>SC20W3TK6<sup>(1)</sup></b>	–	–	0.047"-0.082"	1.20-2.10
		22-20	0.012"-0.020"	0.32-0.52	<b>SM20W3S26<sup>(1)</sup></b>	<b>SC20W3S25<sup>(1)</sup></b>	–	–	0.047"-0.082"	1.20-2.10

(1) Loose piece contact available by adding "L" after the "M" for the contact size and the plating. Example: SM20W3TK6 becomes SM20WL3TK6

## Contacts #12

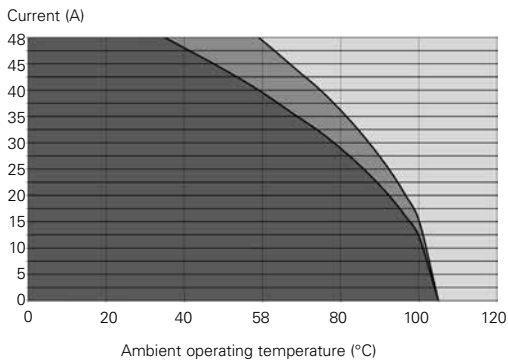
Contact style	Contact type	Cable acceptance		Part number		Wire Ø max		Insulator Ø max		
		AWG	inch <sup>2</sup>	mm <sup>2</sup>	Male	Female	inch	mm	inch	mm
Crimp contacts	Machined	20	0.020"	0.52	<b>82911457NA</b>	<b>82911456A</b>	0.034"	0.87	0.192"	4.90
		20	0.020"	0.52	<b>82911459NA</b>	<b>82911458A</b>	0.044"	1.12	0.192"	4.90
		18	0.031"	0.80	<b>82911461NA</b>	<b>82911460A</b>	0.055"	1.42	0.192"	4.90
		16	0.059"	1.48	<b>82911463NA</b>	<b>82911462A</b>	0.067"	1.72	0.192"	4.90
		14	0.098"	2.48	<b>82911465NA</b>	<b>82911464A</b>	0.087"	2.20	0.192"	4.90
		12	0.157"	4.00	<b>82911467NA</b>	<b>82911466A</b>	0.111"	2.82	0.192"	4.90

## Electrical characteristics

UL	CSA	IEC
26A 600V with AWG12* 7.5A 250V with AWG20*	20A 600V with AWG12* 2.5A 250V with AWG20*	25A 150V 2.5kV 3 temperature elevation: 50°C

\* qualification pending

## UTSX 102W2 derating curves



- Current use
- Limited use
- Not recommended use

### Test conditions

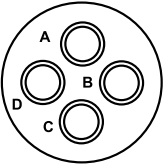
Contact used: machined contacts  
Wires used: 16 AWG

Derating curves based on continuous current application.



**Connector part number**

**UTSX 104**



4 contacts  
10A/500V per  
UL 1977 with  
AWG16 wire

Contact type	Connector type	Backshell	Part number Male insert	Female insert
Crimp contacts supplied separately see <b>Page 53</b>	Square flange receptacle	Without (Fig. 1)	<b>UTSX0104P</b>	<b>UTSX0104S</b>
	Square flange receptacle	Cable gland (Fig. 2)	<b>UTSX0JC104P</b>	<b>UTSX0JC104S</b>
	Free hanging receptacle	Cable gland (Fig. 3)	<b>UTSX1JC104P</b>	<b>UTSX1JC104S</b>
	Free hanging receptacle	Cable gland and grommet(Fig. 3)	<b>UTSX1GJC104P</b>	–
	Plug	Without (Fig. 4)	<b>UTSX6104P</b>	<b>UTSX6104S</b>
PCB contacts supplied separately see <b>Page 53</b>	Plug	Cable gland (Fig. 5)	<b>UTSX6JC104P</b>	<b>UTSX6JC104S</b>
	Plug	Cable gland and grommet(Fig. 5)	–	<b>UTSX6GJC104S</b>
	Jam nut receptacle	Without (Fig. 6)	<b>UTSX7104P</b>	<b>UTSX7104S</b>
	Jam nut receptacle	Cable gland and grommet (Fig. 8)	<b>UTSX7GJC104P</b>	–
	Jam nut receptacle	Without (Fig. 7)	<b>UTSX7104P</b>	<b>UTSX7104S</b>

For discrimination/keying methods see **Page 223**

**Overmolded cable assembly part numbers**

Please contact us directly for overmolded cable assemblies.

# Souriau UTSX series

104 (Shell size 10, 4x#16)

## Dimensions (For mated connector lengths see Page 215)

### Square flange receptacle - UTSX0 and UTSX0JC

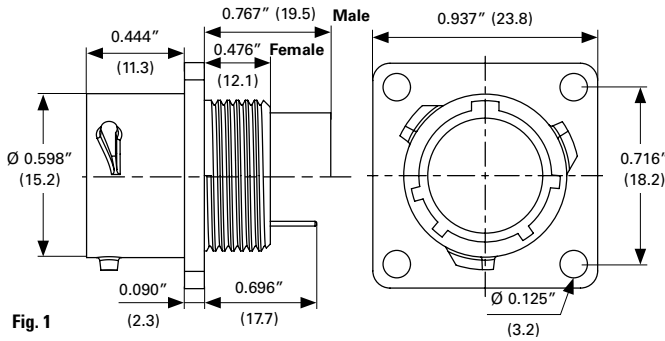


Fig. 1

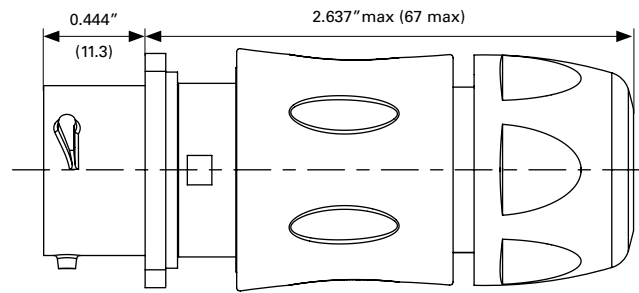


Fig. 2

Cable diameter acceptance: standard seal: from 0.098" to 0.314" (2.5 to 8), reduced seal: from 0.059" to 0.196" (1.5 to 5)

### Free hanging - UTSX1JC and UTSX1GJC

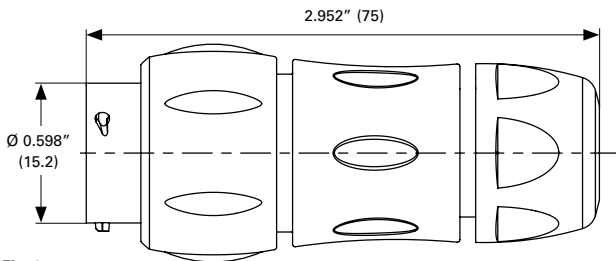


Fig. 3

Cable diameter acceptance: standard seal: from 0.098" to 0.314" (2.5 to 8), reduced seal: from 0.059" to 0.196" (1.5 to 5)

### Plug - UTSX6, UTSX6JC and UTSX6GJC

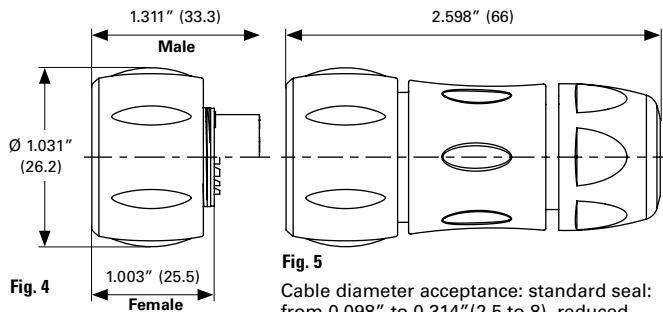


Fig. 4

Fig. 5

Cable diameter acceptance: standard seal: from 0.098" to 0.314" (2.5 to 8), reduced seal: from 0.059" to 0.196" (1.5 to 5)

### Jam nut receptacle UTSX7 and UTSX7GJC

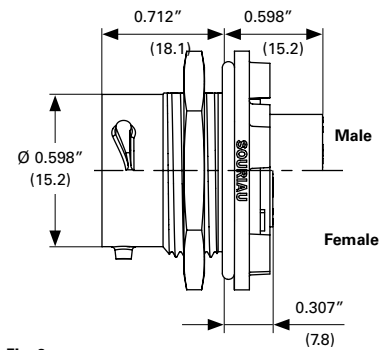


Fig. 6

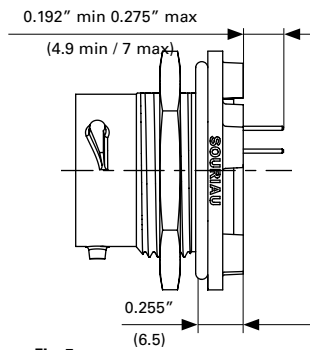
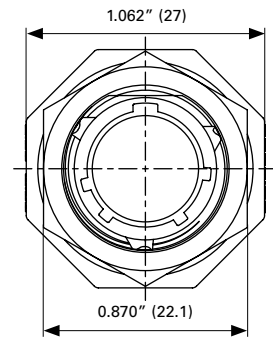
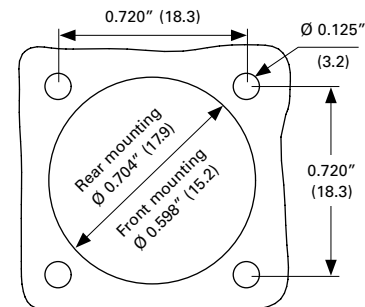


Fig. 7

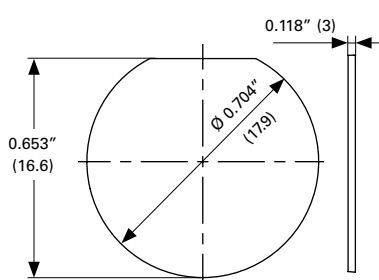


## Panel cut out

### Square flange receptacle - UTSX0



### Jam nut receptacle - UTSX7



Dimensions in inches (millimeters)

**Accessories**

**Jam nut and free hanging receptacle sealing caps**



Description	Part number
IP68	<b>UTS10DCG</b>
IP68 - Metal terminal	<b>UTS10DCGR</b>

**Square flange sealing cap**



Description	Part number
IP68 - Metal terminal	<b>UTS10DCGE</b>

**Plug sealing cap**



Description	Part number
IP68	<b>UTX610DCG</b>

**Plastic protective cap**



Part number receptacle cap	Part number plug cap
<b>85005586A</b>	<b>85005595</b>

**Gasket**



Part number
<b>UTFD12B</b>

**Color coding rings**



Description	Part number receptacles	Part number plugs
G for Green	<b>UTS710CCRG</b>	<b>UTS610CCRG</b>
Y for Yellow	<b>UTS710CCRY</b>	<b>UTS610CCRY</b>
R for Red	<b>UTS710CCRR</b>	<b>UTS610CCRR</b>

# Souriau UTSX series

104 (Shell size 10, 4x#16)

## Tooling

### #16 machined or stamped contacts



Description	Part number
Handle (without head)	<b>Shandles</b>
Box containing handle and several crimp tooling	<b>Toolkit</b>

### Crimp tooling (without Shandles)



Contact size	Contacts	Part number of Head
Standard contacts #16 Ø 0.062" (1.6)	RM/RC 28M1K <sup>(1)</sup>	S16RCM20*
	RM/RC 24M9K <sup>(1)</sup>	S16RCM20*
	RM/RC 20M13K <sup>(1)</sup>	S16RCM20*
	RM/RC 20M12K <sup>(1)</sup>	S16RCM20*
	RM/RC 16M23K <sup>(1)</sup>	S16RCM16*
	RM/RC 14M30K <sup>(1)</sup>	S16RCM14*
	SM/SC 24ML1TK6 <sup>(1)</sup>	S16SCM20*
	SM/SC 20ML1TK6 <sup>(1)</sup>	S16SCM20*
	SM/SC 16ML1TK6 <sup>(1)</sup>	S16SCML1*
	SM/SC 14ML1TK6 <sup>(1)</sup>	S16SCML1*
SM/SC 16ML11TK6 <sup>(1)</sup>	S16SCML11*	

(1) Example of plating, for other plating options see **Page 198**

\* Heads to be used with handle PN: SHANDLES

### #16, #12 and #8 machined contacts



Description	Part number
Crimp tool	<b>M20S-1J</b>
Die casts and stop bushings	See <b>Page 210</b>

### Extraction tool #16

Fig. 1



Fig. 2



Description	Part number
<b>Fig. 1</b>	<b>RX2025GE1</b>
<b>Fig. 2 - Long endurance tool</b>	<b>RX2031J</b>

**Contacts #16**

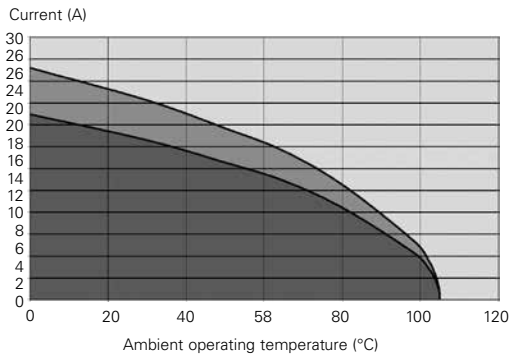
Contact style	Contact type	Cable acceptance		Part number	Wire Ø max		Insulator Ø max					
		AWG	inch <sup>2</sup>		mm <sup>2</sup>	inch	mm	inch	mm			
Crimp contacts	Machined	30-28	0.002"-0.003"	0.05-0.08	RM28M1K <sup>(1)</sup>	RC28M1K <sup>(1)</sup>	0.021"	0.55	0.039"	1.00		
		26-24	0.005"-0.009"	0.13-0.25	RM24M9K <sup>(1)</sup>	RC24M9K <sup>(1)</sup>	0.031"	0.80	0.062"	1.58		
		22-20	0.012"-0.020"	0.32-0.52	RM20M13K <sup>(1)</sup>	RC20M13K <sup>(1)</sup>	0.045"	1.15	0.070"	1.80		
		22-20	0.012"-0.020"	0.32-0.52	RM20M12K <sup>(1)</sup>	RC20M12K <sup>(1)</sup>	0.045"	1.15	0.086"	2.20		
		20-16	0.020"-0.059"	0.52-1.48	RM16M23K <sup>(1)</sup>	RC16M23K <sup>(1)</sup>	0.070"	1.80	0.125"	3.20		
		16-14	0.059"-0.098"	1.48-2.48	RM14M30K <sup>(1)</sup>	RC14M30K <sup>(1)</sup>	0.090"	2.30	0.125"	3.20		
	Stamped and formed reeled contacts See note <sup>(2)</sup> for loose piece	26-24	0.005"-0.009"	0.13-0.25	SM24M1TK6 <sup>(1)(2)</sup>	SC24M1TK6 <sup>(1)(2)</sup>	-	-	0.035"-0.062"	0.90-1.58		
		22-20	0.012"-0.020"	0.32-0.52	SM20M1TK6 <sup>(1)(2)</sup>	SC20M1TK6 <sup>(1)(2)</sup>	-	-	0.047"-0.082"	1.20-2.10		
		18-16	0.031"-0.059"	0.80-1.48	SM16M1TK6 <sup>(1)(2)</sup>	SC16M1TK6 <sup>(1)(2)</sup>	-	-	0.125"	3.20		
		18-16	0.031"-0.059"	0.80-1.48	SM16M11TK6 <sup>(1)(2)</sup>	SC16M11TK6 <sup>(1)(2)</sup>	-	-	0.118"	3.00		
		14	0.098"	2.48	SM14M1TK6 <sup>(1)(2)</sup>	SC14M1TK6 <sup>(1)(2)</sup>	-	-	0.125"	3.20		
		PCB	Machined <sup>(3)</sup>	-	-	RM20M12E83K <sup>(1)</sup>	RC20M12E84K <sup>(1)</sup>	-	-	-	-	
		Coaxial	Cable multipiece	see Page 202	-	-	RMDXK10D28	RCDXK1D28	-	-	-	-
			Cable monocrimp	see Page 202	-	-	RMDX60xxD28	RCDX60xxD28	-	-	-	-
Twisted pair multipiece	see Page 202		-	-	RMDXK10D28 + yorx090	RCDXK1D28 + yorx090	-	-	-	-		
Twisted pair monocrimp	see Page 202		-	-	RMDX60xxD28	RCDX60xxD28	-	-	-	-		
Fiber optic	POF contacts (Plastic optical fiber)	-	-	-	RMPOF1000	RCPOF1000B	-	-	-	-		

(1) Example of plating, for other plating see Page 198  
 (2) Loose piece contact available by adding "L" after the "M" for the contact size and the plating. Example: SM20M1TK6 becomes SM20ML1TK6  
 (3) for dimensions see Page 205

**Electrical characteristics**

UL	CSA	IEC
10A 500V with AWG16 wire	7A 500V with AWG16 wire	13A 150V 2.5kV 3

**UTSX 104 derating curves**



- Current use
- Limited use
- Not recommended use

**Test conditions**

Contact used: machined contacts  
 Wires used: 16 AWG

Derating curves based on continuous current application.

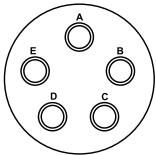
# Souriau UTSX series

14E5/14D5 (Shell size 14, 5x#16)



## Connector part number

### UTSX 14E5/14D5



5 contacts 12A/600V  
per UL 1977 with  
AWG16 wire

Contact type	Connector type	Backshell	Part number Male insert	Female insert
Hand solder electrical contacts loaded see <b>Page 57</b>	Square flange receptacle	Without (Fig. 1)	<b>UTSX014E5P</b>	<b>UTSX014E5S</b>
	Plug	Without (Fig. 2)	<b>UTSX614E5P</b>	<b>UTSX614E5S</b>
	Plug	Cable gland (Fig. 3)	<b>UTSX6JC14E5P</b>	<b>UTSX6JC14E5S</b>
	Jam nut receptacle	Without (Fig. 4)	<b>UTSX714E5P</b>	<b>UTSX714E5S</b>
PCB contacts loaded see <b>Page 57</b>	Square flange receptacle	Without (Fig. 2)	<b>UTSX014D5P</b>	<b>UTSX014D5S</b>
	Jam nut receptacle with stand off and without hold down clip	Without (Fig. 5)	<b>UTSX714D5P</b>	<b>UTSX714D5S</b>
	Jam nut receptacle with stand off and with hold down clips	Without (Fig. 6)	<b>UTSX714D5P32</b>	<b>UTSX714D5S32</b>

For discrimination/keying methods see **Page 223**

Sealed unmatd

## Overmolded cable assembly part numbers

Please contact us directly for overmolded cable assemblies.

**Dimensions (For mated connector lengths see Page 215)**

**Square flange receptacle - UTSX0**

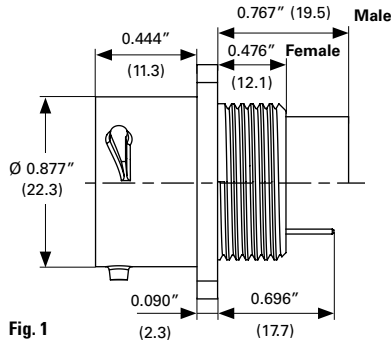
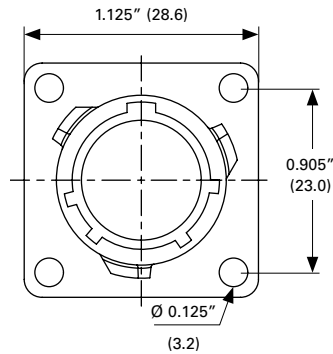


Fig. 1



**Plug - UTSX6 and UTSX6JC**

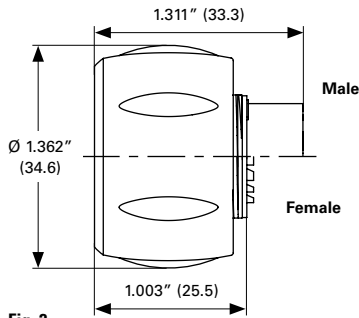


Fig. 2

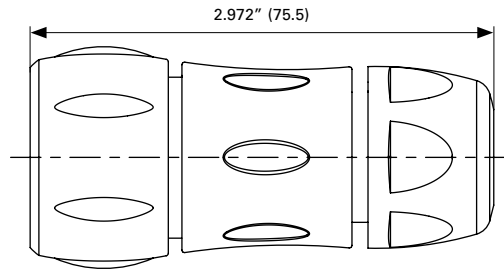


Fig. 3

Cable diameter acceptance: standard seal: from 0.275" to 0.551" (7 to 14), reduced seal: from 0.196" to 0.472" (5 to 12)

**Jam nut receptacle UTSX7**

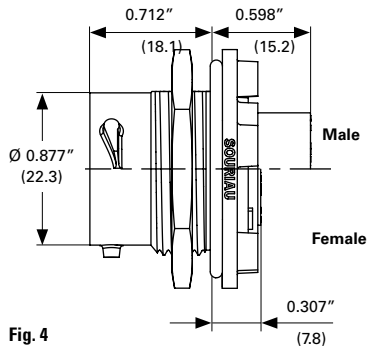


Fig. 4

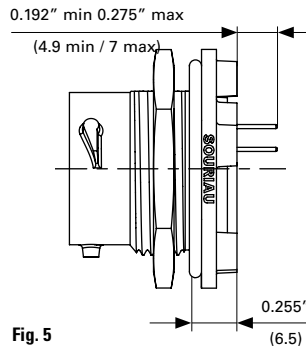


Fig. 5

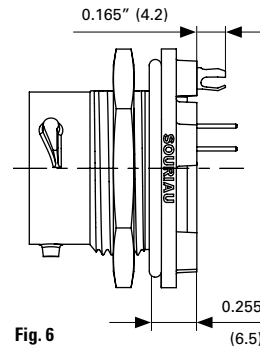
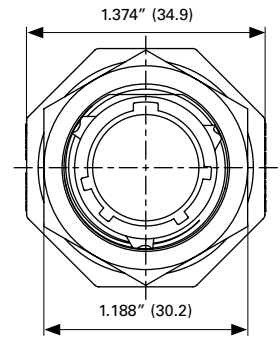
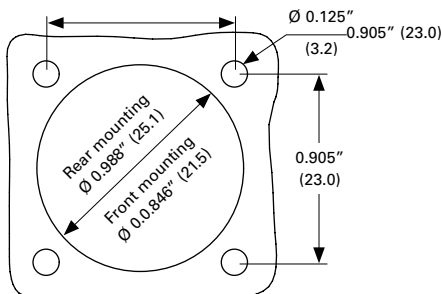


Fig. 6

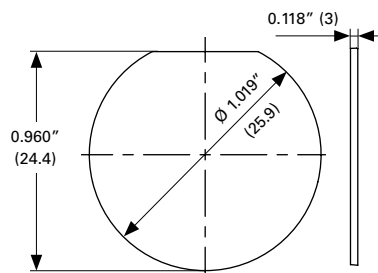


**Panel cut out**

**Square flange receptacle - UTSX0**



**Jam nut receptacle - UTSX7**



Dimensions in inches (millimeters)

# Souriau UTSX series

14E5/14D5 (Shell size 14, 5x#16)

## Accessories

### Jam nut and free hanging receptacle sealing caps



Description	Part number
IP68	UTS14DCG
IP68 - Metal terminal	UTS14DCGR

### Square flange sealing cap



Description	Part number
IP68 - Metal terminal	UTS14DCGE

### Plug sealing cap



Description	Part number
IP68	UTX614DCG

### Plastic protective cap



Part number receptacle cap	Part number plug cap
85005588A	85005597

### Gasket



Part number
UTFD14B

### Color coding rings



Description	Part number receptacles	Part number plugs
G for Green	UTS714CCRG	UTS614CCRG
Y for Yellow	UTS714CCRY	UTS614CCRY
R for Red	UTS714CCRR	UTS614CCRR

### Contacts

Contact size	Contact type	Plating	Cable acceptance	Cable acceptance		Wire stripping length	
			AWG	inch <sup>2</sup>	mm <sup>2</sup>	inch	mm
#16	Hand solder Loaded in the connector	Min 0.4µ gold over 0.8µ Ni	18 - 14	0.031" - 0.098"	0.80 - 2.48	0.196"	5
	PCB Machined <sup>(1)</sup>	Min 0.4µ gold over 0.8µ Ni	—	—	—	—	—

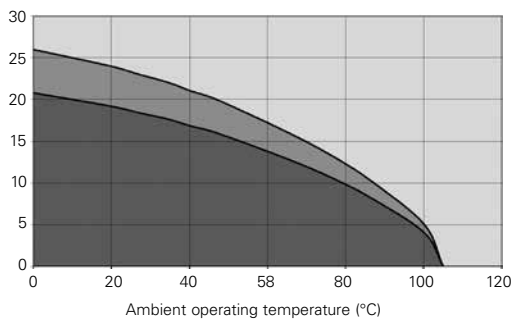
(1) For dimensions see **Pages 205**

### Electrical characteristics

UL	CSA	IEC
12A 600V with AWG16 wire	12A 600V with AWG16 wire	16A 150V 2.5kV 3

### UTSX 14E5/14D5 derating curves

Current (A)



- Current use
- Limited use
- Not recommended use

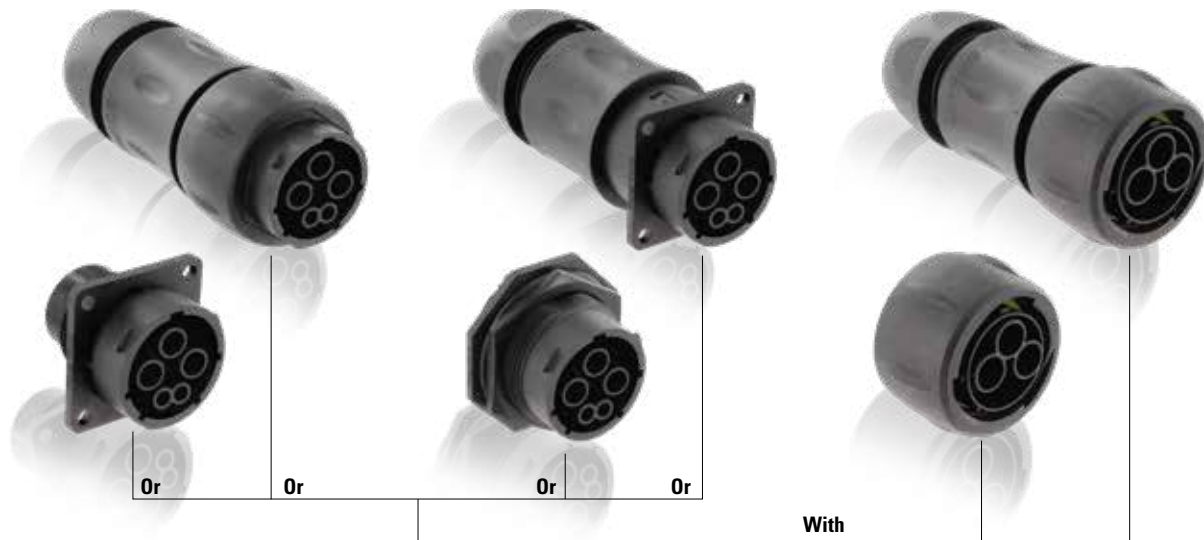
#### Test conditions

Contact used: machined contacts  
Wires used: 16 AWG

Derating curves based on continuous current application.

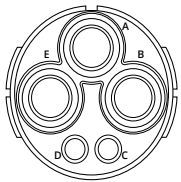
# Souriau UTSX series

165 (Shell size 16, 2 x #16, 3 x #8)



## Connector part number

### UTSX 165



5 contacts  
46A/600V per UL 1977  
with AWG8 wire

Contact type	Connector type	Backshell	Part number Male insert	Female insert
Crimp contacts supplied separately see <b>Page 62</b>	Square flange receptacle	Without (Fig. 1)	<b>UTSX0165P</b>	<b>UTSX0165S</b>
	Square flange receptacle	Cable gland (Fig. 2)	<b>UTSX0JC165P</b>	<b>UTSX0JC165S</b>
	Free hanging receptacle	Cable gland (Fig. 3)	<b>UTSX1JC165P</b>	<b>UTSX1JC165S</b>
	Plug	Without (Fig. 4)	<b>UTSX6165P</b>	<b>UTSX6165S</b>
	Plug	Cable gland (Fig. 5)	<b>UTSX6JC165P</b>	<b>UTSX6JC165S</b>
	Jam nut receptacle	Without (Fig. 6)	<b>UTSX7165P</b>	<b>UTSX7165S</b>
	Jam nut receptacle with stand off and with hold down clips	Without (Fig. 8)	<b>UTSX7165P32</b>	<b>UTSX7165S32</b>
	PCB contacts supplied separately see <b>Page 62</b>	Square flange receptacle	Without (Fig. 1)	<b>UTSX0165P</b>
Jam nut receptacle		Without (Fig. 7)	<b>UTSX7165P</b>	<b>UTSX7165S</b>

For discrimination/keying methods see **Page 223**

## Overmolded cable assembly part numbers

Please contact us directly for overmolded cable assemblies.

## Dimensions (For mated connector lengths see Page 215)

### Square flange receptacle - UTSX0 and UTSX0JC

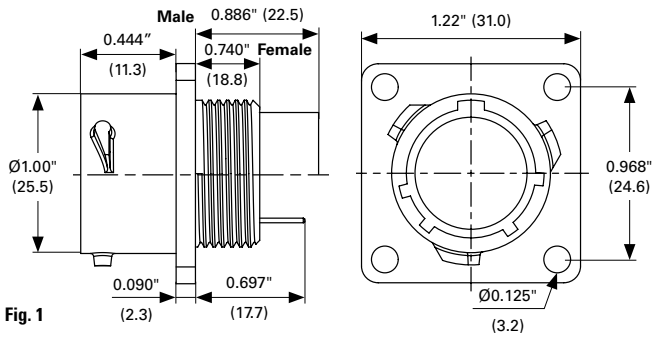


Fig. 1

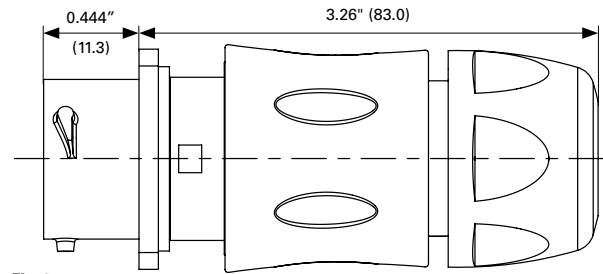


Fig. 2

Cable diameter acceptance: standard seal: from 0.472" to 0.630" (12 to 16), reduced seal: from 0.354" to 0.472" (9 to 12).

### Free hanging - UTSX1JC and UTSXGJC

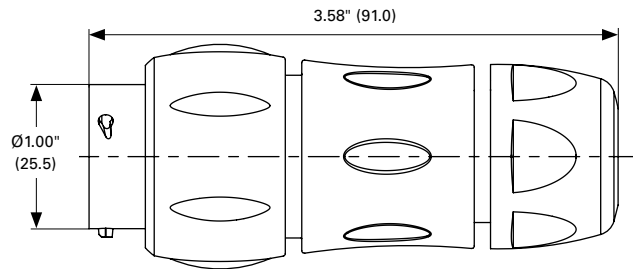


Fig. 3

Cable diameter acceptance: standard seal: from 0.472" to 0.630" (12 to 16), reduced seal: from 0.354" to 0.472" (9 to 12).

### Plug - UTSX6 and UTSX6JC

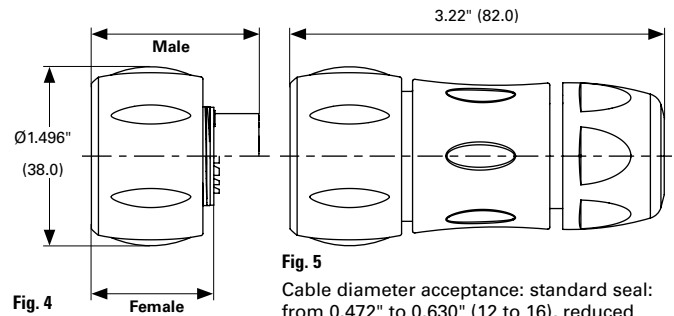


Fig. 4

Fig. 5

Cable diameter acceptance: standard seal: from 0.472" to 0.630" (12 to 16), reduced seal: from 0.354" to 0.472" (9 to 12).

### Jam nut receptacle UTSX7

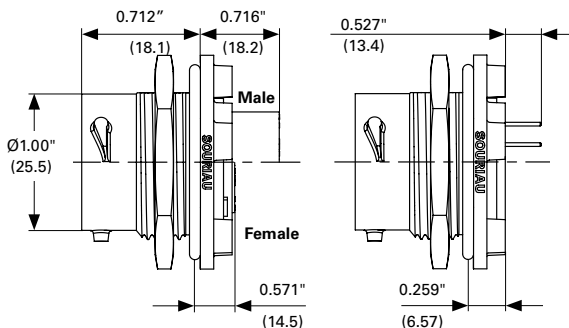


Fig. 6

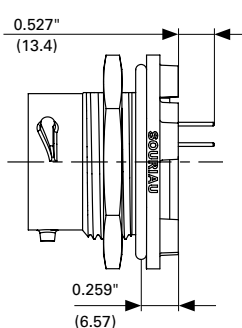


Fig. 7

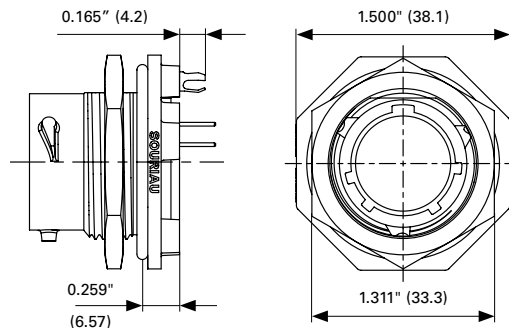
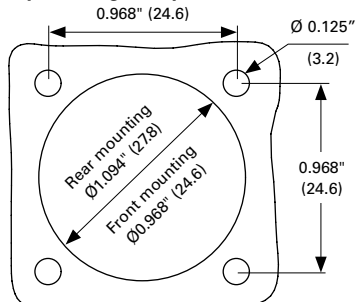


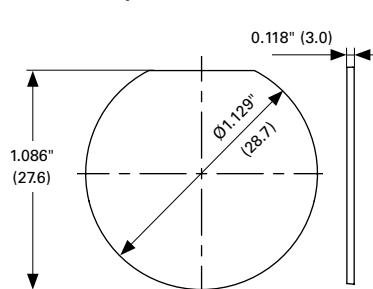
Fig. 8

### Panel cut out

#### Square flange receptacle - UTSX0



#### Jam nut receptacle - UTSX7



Dimensions in inches (millimeters)

# Souriau UTSX series

165 (Shell size 16, 2 x #16, 3 x #8)

## Accessories

### Jam nut and free hanging receptacle sealing caps



Description	Part number
IP68	UTS16DCG
IP68 - Metal terminal	UTS16DCGR

### Square flange sealing cap



Description	Part number
IP68 - Metal terminal	UTS16DCGE

### Plug sealing cap



Description	Part number
IP68	UTS616DCG

### Plastic protective cap



Part number receptacle cap	Part number plug cap
85005589A	85005598

### Gasket



Part number
UTFD15B

### Color coding rings



Description	Part number receptacles	Part number plugs
G for Green	UTS716CCRG	UTS616CCRG
Y for Yellow	UTS716CCRY	UTS616CCRY
R for Red	UTS716CCRR	UTS616CCRR

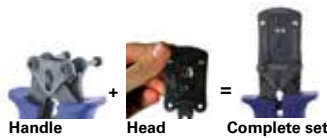
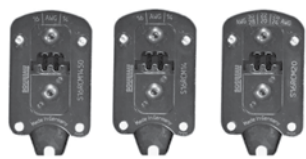
## Tooling

### Tooling



Description	Part number
Handle (without head)	<b>Shandles</b>
Box containing handle and several crimp tooling	<b>Toolkit</b>

### Crimp tooling (without Shandles)



Contact size	Contacts	Part number of Head
Standard contacts #16 Ø 0.062" (1.6)	RM/RC 28M1K <sup>(1)</sup>	<b>S16RCM20*</b>
	RM/RC 24M9K <sup>(1)</sup>	<b>S16RCM20*</b>
	RM/RC 20M13K <sup>(1)</sup>	<b>S16RCM20*</b>
	RM/RC 20M12K <sup>(1)</sup>	<b>S16RCM20*</b>
	RM/RC 16M23K <sup>(1)</sup>	<b>S16RCM16*</b>
	RM/RC 14M30K <sup>(1)</sup>	<b>S16RCM14*</b>
	SM/SC 24ML1TK6 <sup>(1)</sup>	<b>S16SCM20*</b>
	SM/SC 20ML1TK6 <sup>(1)</sup>	<b>S16SCM20*</b>
	SM/SC 16ML1TK6 <sup>(1)</sup>	<b>S16SCML1*</b>
	SM/SC 14ML1TK6 <sup>(1)</sup>	<b>S16SCML1*</b>
	SM/SC 16ML11TK6 <sup>(1)</sup>	<b>S16SCML11*</b>

(1) Example of plating, for other plating options see **Page 198**  
\* Heads to be used with handle PN: SHANGLES

### #16, #12 and #8 machined contacts



Description	Part number
Crimp tool	<b>M20S-1J</b>
Die casts and stop bushings	See <b>Page 210</b>

### Extraction tool #16



Description	Part number
<b>Fig. 1</b>	<b>RX2025GE1</b>
<b>Fig. 2</b> - Long endurance tool	<b>RX2031J</b>

### #8 Machine contacts



Contact size	Part number
Shandle only	<b>M317</b>

### Positioner + Locator setting #8



Contact size	Part number
For Crimp Contacts #8 Ø 0.141" (3.6)	<b>VGE10078A</b>

### Extraction tool #8



Description	Part number
For Crimp Contacts #8 Ø 0.141" (3.6)	<b>51060210936</b>

# Souriau UTSX series

165 (Shell size 16, 2 x #16, 3 x #8)

## Contacts #16

Contact style	Contact type	Cable acceptance		Part number	Wire Ø max		Insulator Ø max			
		AWG	inch <sup>2</sup>		mm <sup>2</sup>	inch	mm	inch	mm	
Crimp contacts	Machined	30-28	0.002"-0.003"	0.05-0.08	<b>RM28M1K<sup>(1)</sup></b>	<b>RC28M1K<sup>(1)</sup></b>	0.021"	0.55	0.039"	1.00
		26-24	0.005"-0.009"	0.13-0.25	<b>RM24M9K<sup>(1)</sup></b>	<b>RC24M9K<sup>(1)</sup></b>	0.031"	0.80	0.062"	1.58
		22-20	0.012"-0.020"	0.32-0.52	<b>RM20M13K<sup>(1)</sup></b>	<b>RC20M13K<sup>(1)</sup></b>	0.045"	1.15	0.070"	1.80
		22-20	0.012"-0.020"	0.32-0.52	<b>RM20M12K<sup>(1)</sup></b>	<b>RC20M12K<sup>(1)</sup></b>	0.045"	1.15	0.086"	2.20
		20-16	0.020"-0.059"	0.52-1.48	<b>RM16M23K<sup>(1)</sup></b>	<b>RC16M23K<sup>(1)</sup></b>	0.070"	1.80	0.125"	3.20
		16-14	0.059"-0.098"	1.48-2.48	<b>RM14M30K<sup>(1)</sup></b>	<b>RC14M30K<sup>(1)</sup></b>	0.090"	2.30	0.125"	3.20
	Stamped and formed reeled contacts See note <sup>(2)</sup> for loose piece	26-24	0.005"-0.009"	0.13-0.25	<b>SM24M1TK6<sup>(1)(2)</sup></b>	<b>SC24M1TK6<sup>(1)(2)</sup></b>	–	–	0.035"-0.062"	0.90-1.58
		22-20	0.012"-0.020"	0.32-0.52	<b>SM20M1TK6<sup>(1)(2)</sup></b>	<b>SC20M1TK6<sup>(1)(2)</sup></b>	–	–	0.047"-0.082"	1.20-2.10
		18-16	0.031"-0.059"	0.80-1.48	<b>SM16M1TK6<sup>(1)(2)</sup></b>	<b>SC16M1TK6<sup>(1)(2)</sup></b>	–	–	0.125"	3.20
		18-16	0.031"-0.059"	0.80-1.48	<b>SM16M11TK6<sup>(1)(2)</sup></b>	<b>SC16M11TK6<sup>(1)(2)</sup></b>	–	–	0.118"	3.00
	14	0.098"	2.48	<b>SM14M1TK6<sup>(1)(2)</sup></b>	<b>SC14M1TK6<sup>(1)(2)</sup></b>	–	–	0.125"	3.20	
PCB	Machined <sup>(3)</sup>	–			<b>RM20M12E83K<sup>(1)</sup></b>	<b>RC20M12E84K<sup>(1)</sup></b>	–	–	–	–
Coaxial	Cable multipiece	see <b>Page 202</b>			<b>RMDXK10D28</b>	<b>RCDXK1D28</b>	–	–	–	–
	Cable monocrimp	see <b>Page 202</b>			<b>RMDX60xxD28</b>	<b>RCDX60xxD28</b>	–	–	–	–
	Twisted pair multipiece	see <b>Page 202</b>			<b>RMDXK10D28 + yorx090</b>	<b>RCDXK1D28 + yorx090</b>	–	–	–	–
	Twisted pair monocrimp	see <b>Page 202</b>			<b>RMDX60xxD28</b>	<b>RCDX60xxD28</b>	–	–	–	–
Fiber optic	POF contacts (Plastic optical fiber)	–			<b>RMPOF1000</b>	<b>RCPOF1000B</b>	–	–	–	–
Hand solder	Loaded in the connector	14-18	0.098"-0.031"	2.48-0.80	–	–	–	–	–	–

(1) Example of plating, for other plating see **Page 198**

(2) Loose piece contact available by adding "L" after the "M" for the contact size and the plating. Example: SM20M1TK6 becomes SM20ML1TK6

(3) For dimensions see **Page 205**

## Contacts #8

Contact style	Contact type	Cable acceptance		Part number	Wire Ø max		Insulator Ø max			
		AWG	inch <sup>2</sup>		mm <sup>2</sup>	mm	inch	mm		
Crimp contacts	Machined	16	0.059"	1.48	<b>82913601A<sup>(1)</sup></b>	<b>82913600A<sup>(1)</sup></b>	0.067"	1.72	0.255"	6.5
Crimp contacts	Machined	14	0.098"	2.48	<b>82913603A<sup>(1)</sup></b>	<b>82913602A<sup>(1)</sup></b>	0.087"	2.20	0.255"	6.5
Crimp contacts	Machined	12	0.157"	4.00	<b>82913605A<sup>(1)</sup></b>	<b>82913604A<sup>(1)</sup></b>	0.111"	2.82	0.255"	6.5
Crimp contacts	Machined	10	0.236"	6.00	<b>82913607A<sup>(1)</sup></b>	<b>82913606A<sup>(1)</sup></b>	0.137"	3.48	0.255"	6.5
Crimp contacts	Machined	8	0.393"	10.00	<b>82913609A<sup>(1)</sup></b>	<b>82913608A<sup>(1)</sup></b>	0.171"	4.35	0.255"	6.5
PCB	Machined <sup>(2)</sup>	–			<b>82911685NPC<sup>(1)</sup></b>	<b>82911684NPC<sup>(1)</sup></b>	–	–	–	–

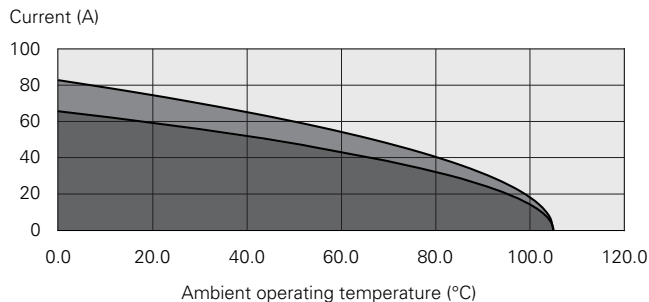
(1) Example of plating, for other plating see **Page 198**

(2) For dimensions see **Page 205**

## Electrical characteristics

UL	CSA	IEC
UTSX 165 46A 600V with AWG8 wire	40A 600V with AWG8 wire	46A 320V 4kV 3

## UTSX 165 derating curves



- Current use
- Limited use
- Not recommended use

### Test conditions

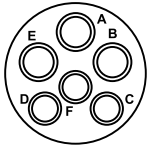
Contact used: machined contacts  
Wires used: 8 AWG

Derating curves based on continuous current application.



## Connector part number

### UTSX 103W3



6 contacts  
 13A/500V per UL1977  
 with AWG16 wire  
 7.5A/250V per UL1977  
 with AWG20 wire  
 (qualification pending)

Contact type	Connector type	Backshell	Part number Male insert	Female insert
Crimp contacts supplied separately see <b>Page 68</b>	Square flange receptacle	Without (Fig. 1)	<b>UTSX0103W3P</b>	<b>UTSX0103W3S</b>
	Square flange receptacle	Cable gland (Fig. 2)	<b>UTSX0JC103P</b>	<b>UTSX0JC103S</b>
	Free hanging receptacle	Cable gland (Fig. 3)	<b>UTSX1JC103W3P</b>	<b>UTSX1JC103W3S</b>
	Plug	Without (Fig. 4)	<b>UTSX6103W3P</b>	<b>UTSX6103W3S</b>
	Plug	Cable gland (Fig. 5)	<b>UTSX6JC103W3P</b>	<b>UTSX6JC103W3S</b>
PCB contacts supplied separately see <b>Page 68</b>	Jam nut receptacle	Without (Fig. 6)	<b>UTSX7103W3P</b>	<b>UTSX7103W3S</b>
	Jam nut receptacle with stand off and without hold down clip	Without (Fig. 7)	<b>UTSX7103W3P</b>	<b>UTSX7103W3S</b>

# Souriau UTSX series

103W3 (Shell size 10, 3x#20, 3x16)

## Dimensions (For mated connector lengths see Page 215)

### Square flange receptacle - UTSX0 and UTSX0JC

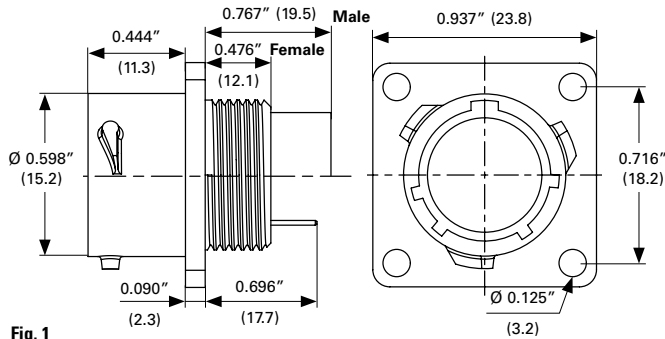


Fig. 1

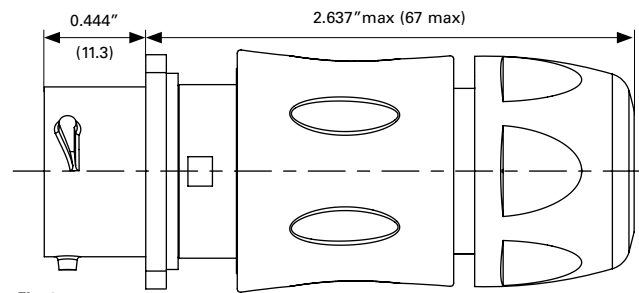


Fig. 2

Cable diameter acceptance: standard seal: from 0.098" to 0.314" (2.5 to 8), reduced seal: from 0.059" to 0.196" (1.5 to 5)

### Free hanging - UTSX1JC

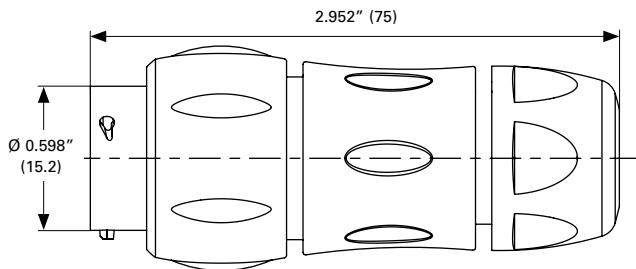


Fig. 3

Cable diameter acceptance: standard seal: from 0.098" to 0.314" (2.5 to 8), reduced seal: from 0.059" to 0.196" (1.5 to 5)

### Plug - UTSX6 and UTSX6JC

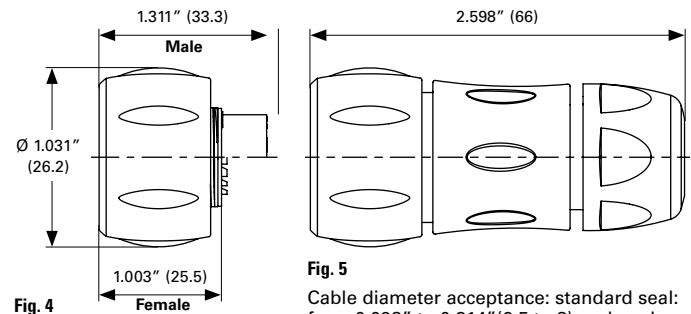


Fig. 4

Fig. 5

Cable diameter acceptance: standard seal: from 0.098" to 0.314" (2.5 to 8), reduced seal: from 0.059" to 0.196" (1.5 to 5)

### Jam nut receptacle UTSX7

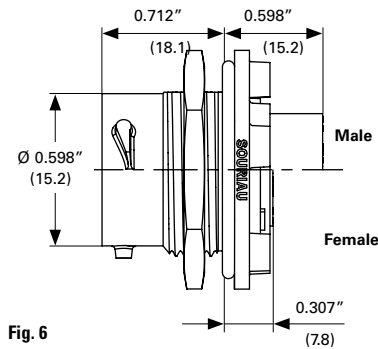


Fig. 6

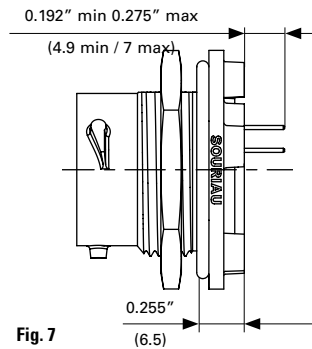
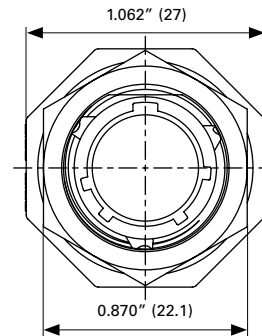
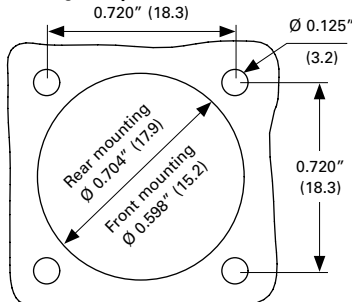


Fig. 7

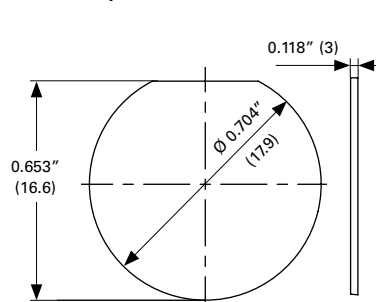


## Panel cut out

### Square flange receptacle - UTSX0



### Jam nut receptacle - UTSX7



Dimensions in inches (millimeters)

## Accessories

### Jam nut and free hanging receptacle sealing caps



Description	Part number
IP68	UTS10DCG
IP68 - Metal terminal	UTS10DCGR

### Plug sealing cap



Description	Part number
IP68	UTX610DCG

### Plastic protective cap



Part number receptacle cap	Part number plug cap
85005586A	85005595

### Gasket



Part number
UTFD12B

### Color coding rings



Description	Part number receptacles	Part number plugs
G for Green	UTS710CCRG	UTS610CCRG
Y for Yellow	UTS710CCRY	UTS610CCRY
R for Red	UTS710CCRR	UTS610CCRR

### Square flange sealing cap



Description	Part number
IP68 - Metal terminal	UTS10DCGE

# Souriau UTSX series

103W3 (Shell size 10, 3x#20, 3x16)

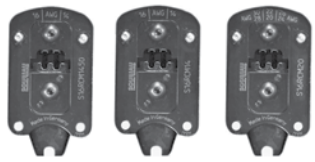
## Tooling

### Tooling



Description	Part number
Handle (without head)	<b>Shandles</b>
Box containing handle and several crimp tooling	<b>Toolkit</b>

### Crimp tooling (without Shandles)



Contact size	Contacts	Part number of head
Standard contacts #16 Ø 0.062" (1.6)	RM/RC 28M1K <sup>(1)</sup>	S16RCM20*
	RM/RC 24M9K <sup>(1)</sup>	S16RCM20*
	RM/RC 20M13K <sup>(1)</sup>	S16RCM20*
	RM/RC 20M12K <sup>(1)</sup>	S16RCM20*
	RM/RC 16M23K <sup>(1)</sup>	S16RCM16*
	RM/RC 14M30K <sup>(1)</sup>	S16RCM14*
	SM/SC 24ML1TK6 <sup>(1)</sup>	S16SCM20*
	SM/SC 20ML1TK6 <sup>(1)</sup>	S16SCM20*
	SM/SC 16ML1TK6 <sup>(1)</sup>	S16SCML1*
	SM/SC 14ML1TK6 <sup>(1)</sup>	S16SCML1*
Standard contacts #20 Ø 0.039" (1.0)	SM/SC 16ML11TK6 <sup>(1)</sup>	S16SCML11*
	RM/RC 24W3K <sup>(1)</sup>	S20RCM*
	RM/RC 20W3K <sup>(1)</sup>	S20RCM*
	RM/RC 18W3K <sup>(1)</sup>	S20RCM*
	SM/SC 24WL3 <sup>(1)(2)</sup>	S20SCM20*
SM/SC 20WL3 <sup>(1)(2)</sup>	S20SCM20*	

(1) Example of plating, for other plating options see **Page 198**  
 (2) Loose contact  
 \* Heads to be used with handle PN: SHANDLES

### #16, #12 and #8 machined contacts



Description	Part number
Crimp tool	<b>M20S-1J</b>
Die casts and stop bushings	See <b>Page 210</b>

### Extraction tool #16



Description	Part number
<b>Fig. 1</b>	<b>RX2025GE1</b>
<b>Fig. 2 - Long endurance tool</b>	<b>RX2031J</b>

## Contacts #16

Contact style	Contact type	Cable acceptance		Part number		Wire Ø max		Insulator Ø max		
		AWG	inch <sup>2</sup>	mm <sup>2</sup>	Male	Female	inch	mm	inch	mm
Crimp contacts	Machined	30-28	0.002"-0.003"	0.05-0.08	RM28M1K <sup>(1)</sup>	RC28M1K <sup>(1)</sup>	0.021"	0.55	0.039"	1.00
		26-24	0.005"-0.009"	0.13-0.25	RM24M9K <sup>(1)</sup>	RC24M9K <sup>(1)</sup>	0.031"	0.80	0.062"	1.58
		22-20	0.012"-0.020"	0.32-0.52	RM20M13K <sup>(1)</sup>	RC20M13K <sup>(1)</sup>	0.045"	1.15	0.070"	1.80
		22-20	0.012"-0.020"	0.32-0.52	RM20M12K <sup>(1)</sup>	RC20M12K <sup>(1)</sup>	0.045"	1.15	0.086"	2.20
		20-16	0.020"-0.059"	0.52-1.48	RM16M23K <sup>(1)</sup>	RC16M23K <sup>(1)</sup>	0.070"	1.80	0.125"	3.20
		16-14	0.059"-0.098"	1.48-2.48	RM14M30K <sup>(1)</sup>	RC14M30K <sup>(1)</sup>	0.090"	2.30	0.125"	3.20
	Stamped and formed reeled contacts See note <sup>(2)</sup> for loose piece	26-24	0.005"-0.009"	0.13-0.25	SM24M1TK6 <sup>(1)(2)</sup>	SC24M1TK6 <sup>(1)(2)</sup>	–	–	0.035"-0.062"	0.90-1.58
		22-20	0.012"-0.020"	0.32-0.52	SM20M1TK6 <sup>(1)(2)</sup>	SC20M1TK6 <sup>(1)(2)</sup>	–	–	0.047"-0.082"	1.20-2.10
		18-16	0.031"-0.059"	0.80-1.48	SM16M1TK6 <sup>(1)(2)</sup>	SC16M1TK6 <sup>(1)(2)</sup>	–	–	0.125"	3.20
		18-16	0.031"-0.059"	0.80-1.48	SM16M11TK6 <sup>(1)(2)</sup>	SC16M11TK6 <sup>(1)(2)</sup>	–	–	0.118"	3.00
	14	0.098"	2.48	SM14M1TK6 <sup>(1)(2)</sup>	SC14M1TK6 <sup>(1)(2)</sup>	–	–	0.125"	3.20	
PCB	Machined <sup>(3)</sup>	–			RM20M12E83K <sup>(1)</sup>	RC20M12E84K <sup>(1)</sup>	–	–	–	–
Coaxial	Cable multipiece	see Page 202			RMDXK10D28	RCDXK1D28	–	–	–	–
	Cable monocrimp	see Page 202			RMDX60xxD28	RCDX60xxD28	–	–	–	–
	Twisted pair multipiece	see Page 202			RMDXK10D28 + yorx090	RCDXK1D28 + yorx090	–	–	–	–
	Twisted pair monocrimp	see Page 202			RMDX60xxD28	RCDX60xxD28	–	–	–	–
Fiber optic	POF contacts (Plastic optical fiber)	–			RMPOF1000	RCPOF1000B	–	–	–	–

(1) Example of plating, for other plating see Page 198

(2) Loose piece contact available by adding "L" after the "M" for the contact size and the plating. Example: SM20M1TK6 becomes SM20ML1TK6

(3) for dimensions see Page 205

## Contacts #20

Contact style	Contact type	Cable acceptance		Part number		Wire Ø max		Insulator Ø max		
		AWG	inch <sup>2</sup>	mm <sup>2</sup>	Male	Female	inch	mm	inch	mm
Crimp contacts	Machined	26-24	0.005"-0.009"	0.13-0.25	RM24W3K	RC24W3K	0.031"	0.80	0.062"	1.58
		22-20	0.012"-0.020"	0.32-0.52	RM20W3K	RC20W3K	0.045"	1.15	0.070"	1.80
		20-18	0.020"-0.031"	0.52-0.80	RM18W3K	RC18W3K	0.051"	1.30	0.082"	2.10
	Stamped and formed reeled contacts See note <sup>(1)</sup> for loose piece	26-24	0.005"-0.009"	0.13-0.25	SM24W3TK6 <sup>(1)</sup>	SC24W3TK6 <sup>(1)</sup>	–	–	0.035"-0.062"	0.90-1.60
		26-24	0.005"-0.009"	0.13-0.25	SM24W3S26 <sup>(1)</sup>	SC24W3S25 <sup>(1)</sup>	–	–	0.035"-0.062"	0.90-1.60
		22-20	0.012"-0.020"	0.32-0.52	SM20W3TK6 <sup>(1)</sup>	SC20W3TK6 <sup>(1)</sup>	–	–	0.047"-0.082"	1.20-2.10
		22-20	0.012"-0.020"	0.32-0.52	SM20W3S26 <sup>(1)</sup>	SC20W3S25 <sup>(1)</sup>	–	–	0.047"-0.082"	1.20-2.10

(1) Loose piece contact available by adding "L" after the "M" for the contact size and the plating. Example: SM20W3TK6 becomes SM20WL3TK6

# Souriau UTSX series

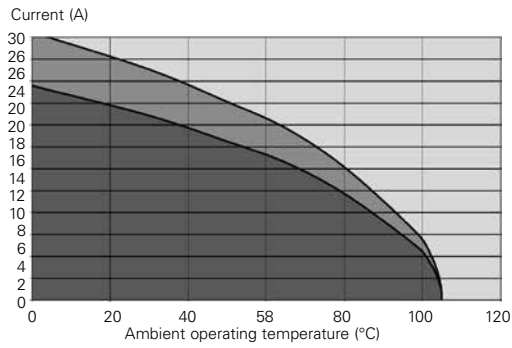
103W3 (Shell size 10, 3x#20, 3x16)

## Electrical characteristics

UL	CSA	IEC
13A 500V with AWG 16*	7A 500V with AWG 16*	5A 32V 1.5kV 3 temperture elevation: 50°C
7.5A 250V with AWG20*	2.5A 250V with AWwG20*	

\*qualification pending

## UTSX 103W3 derating curves



- Current use
- Limited use
- Not recommended use

### Test conditions

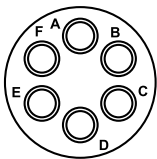
Contact used: machined contacts  
Wires used: 16 AWG

Derating curves based on continuous current application.



## Connector part number

### UTSX 106



6 contacts 4.5A/250V  
per UL 1977 with  
AWG20 wire

### 10E6/10D6 6

contacts 6A/250V  
per UL 1977 with  
AWG20 wire

Contact type	Connector type	Backshell	Part number Male insert	Female insert
Crimp contacts supplied separately see <b>Page 73</b>	Square flange receptacle	Without (Fig. 1)	<b>UTSX0106P</b>	<b>UTSX0106S</b>
		Cable gland (Fig. 2)	<b>UTSX0JC106P</b>	<b>UTSX0JC106S</b>
	Free hanging receptacle	Cable gland (Fig. 3)	<b>UTSX1JC106P</b>	<b>UTSX1JC106S</b>
	Plug	Without (Fig. 4)	<b>UTSX6106P</b>	<b>UTSX6106S</b>
		Cable gland (Fig. 5)	<b>UTSX6JC106P</b>	<b>UTSX6JC106S</b>
	Jam nut receptacle	Without (Fig. 6)	<b>UTSX7106P</b>	<b>UTSX7106S</b>
PCB contacts supplied separately see <b>Page 73</b>	Jam nut receptacle	Without (Fig. 7)	<b>UTSX7106P</b>	<b>UTSX7106S</b>
Handsolder electrical contacts loaded	Square flange receptacle	Without (Fig. 1)	<b>UTSX010E6P</b>	<b>UTSX010E6S</b>
		Plug	Without (Fig. 4)	<b>UTSX610E6P</b>
	Jam nut receptacle	Cable gland (Fig. 5)	<b>UTSX6JC10E6P</b>	<b>UTSX6JC10E6S</b>
		Without (Fig. 6)	<b>UTSX710E6P</b>	<b>UTSX710E6S</b>
PCB contacts supplied separately see <b>Page 73</b>	Jam nut receptacle	Without (Fig. 7)	<b>UTSX710E6P</b>	<b>UTSX710E6S</b>
PCB contacts loaded see <b>Page 73</b>	Square flange receptacle	Without (Fig. 1)	<b>UTSX010D6P</b>	<b>UTSX010D6S</b>
	Jam nut receptacle with stand off and without hold down clip	Without (Fig. 8)	<b>UTSX710D6P</b>	<b>UTSX710D6S</b>
		Jam nut receptacle with stand off and with hold down clips	Without (Fig. 8)	<b>UTSX710D6P32</b>

For discrimination/keying methods see **Page 223**

Sealed unmatd

## Overmolded cable assembly part numbers

Please contact us directly for overmolded cable assemblies.

# Souriau UTSX series

106 - 10E6/10D6 (Shell size 10, 6x#20)

## Dimensions (For mated connector lengths see Page 215)

### Square flange receptacle - UTSX0 and UTSX0JC

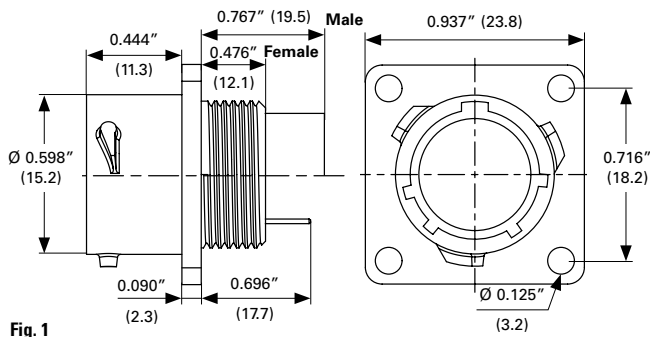


Fig. 1

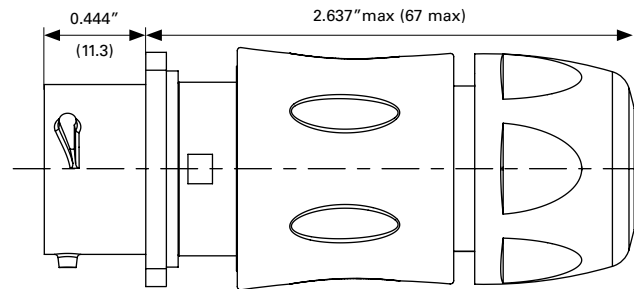


Fig. 2

Cable diameter acceptance: standard seal: from 0.098" to 0.314" (2.5 to 8), reduced seal: from 0.059" to 0.196" (1.5 to 5)

### Free hanging - UTSX1JC

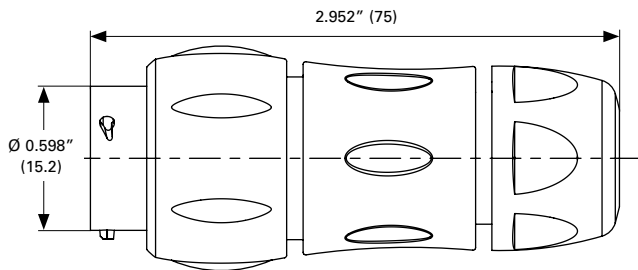


Fig. 3

Cable diameter acceptance: standard seal: from 0.098" to 0.314" (2.5 to 8), reduced seal: from 0.059" to 0.196" (1.5 to 5)

### Plug - UTSX6 and UTSX6JC

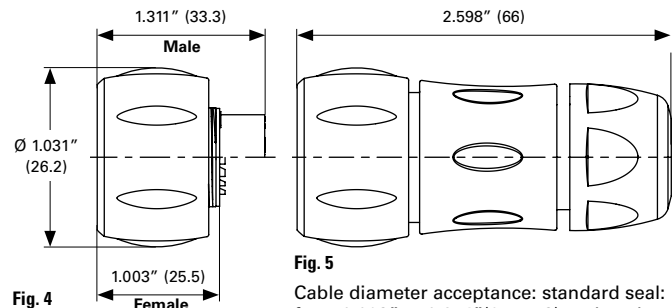


Fig. 4

Fig. 5

Cable diameter acceptance: standard seal: from 0.098" to 0.314" (2.5 to 8), reduced seal: from 0.059" to 0.196" (1.5 to 5)

### Jam nut receptacle UTSX7

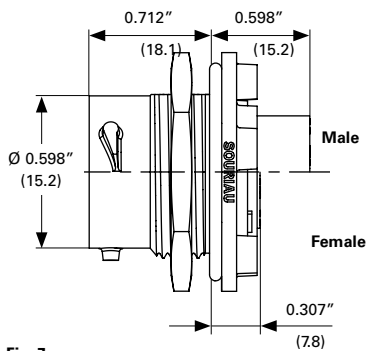


Fig. 7

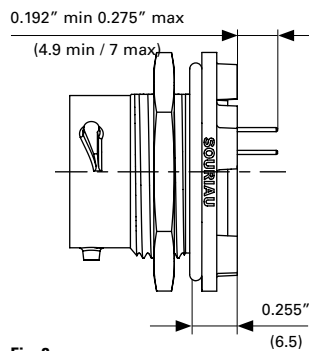


Fig. 8

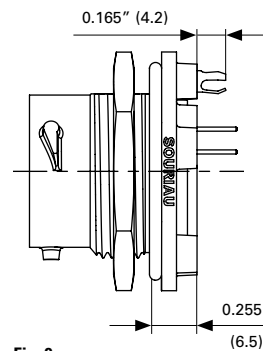
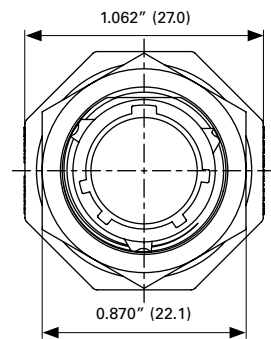
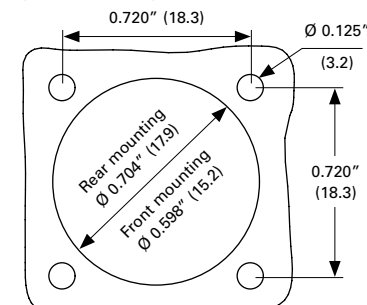


Fig. 9

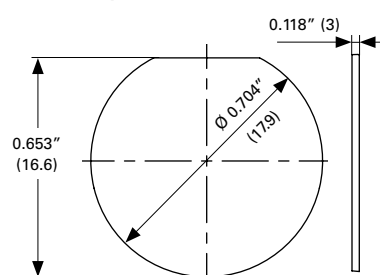


### Panel cut out

#### Square flange receptacle - UTSX0



#### Jam nut receptacle - UTSX7



Dimensions in inches (millimeters)

## Accessories

### Jam nut and free hanging receptacle sealing caps



Description	Part number
IP68	<b>UTS10DCG</b>
IP68 - Metal terminal	<b>UTS10DCGR</b>

### Square flange sealing cap



Description	Part number
IP68 - Metal terminal	<b>UTS10DCGE</b>

### Plug sealing cap



Description	Part number
IP68	<b>UTX610DCG</b>

### Plastic protective cap



Part number receptacle cap	Part number plug cap
<b>85005586A</b>	<b>85005595</b>

### Gasket



Part number
<b>UTFD12B</b>

### Color coding rings



Description	Part number receptacles	Part number plugs
G for Green	<b>UTS710CCRG</b>	<b>UTS610CCRG</b>
Y for Yellow	<b>UTS710CCRY</b>	<b>UTS610CCRY</b>
R for Red	<b>UTS710CCRR</b>	<b>UTS610CCRR</b>

# Souriau UTSX series

106 - 10E6/10D6 (Shell size 10, 6x#20)

## Tooling

### Tooling



Description	Part number
Handle (without head)	<b>Shandles</b>
Box containing handle and several crimp tooling	<b>Toolkit</b>

### Crimp tooling (without Shandles)



Contact size	Contacts	Part number of Head
Standard contacts #20 Ø 0.039" (1.0)	<b>RM/RC 24W3K<sup>(1)</sup></b>	<b>S20RCM*</b>
	<b>RM/RC 20W3K<sup>(1)</sup></b>	<b>S20RCM*</b>
	<b>RM/RC 18W3K<sup>(1)</sup></b>	<b>S20RCM*</b>
	<b>SM/SC 24WL3<sup>(1)(2)</sup></b>	<b>S20SCM20*</b>
	<b>SM/SC 20WL3<sup>(1)(2)</sup></b>	<b>S20SCM20*</b>

(1) Example of plating, for other plating options see **Page 198**

(2) Loose contact

\* Heads to be used with handle PN: SHANDLES



### Extraction tool #20



Description	Part number
Contacts #20 Ø 0.039" (1.0)	<b>RX20D44</b>

### Contacts #20

Contact style	Contact type	Cable acceptance		Part number	Wire Ø max		Insulator Ø max			
		AWG	inch <sup>2</sup>		mm <sup>2</sup>	Male	Female	inch	mm	
Crimp contacts	Machined	26-24	0.005"-0.009"	0.13-0.25	<b>RM24W3K</b>	<b>RC24W3K</b>	0.031"	0.80	0.062"	1.58
		22-20	0.012"-0.020"	0.32-0.52	<b>RM20W3K</b>	<b>RC20W3K</b>	0.045"	1.15	0.070"	1.80
		20-18	0.020"-0.031"	0.52-0.80	<b>RM18W3K</b>	<b>RC18W3K</b>	0.051"	1.30	0.082"	2.10
	Stamped and formed reeled contacts See note <sup>(1)</sup> for loose piece	26-24	0.005"-0.009"	0.13-0.25	<b>SM24W3TK6<sup>(2)</sup></b>	<b>SC24W3TK6<sup>(1)</sup></b>	–	–	0.035"-0.062"	0.90-1.60
		26-24	0.005"-0.009"	0.13-0.25	<b>SM24W3S26<sup>(2)</sup></b>	<b>SC24W3S25<sup>(1)</sup></b>	–	–	0.035"-0.062"	0.90-1.60
		22-20	0.012"-0.020"	0.32-0.52	<b>SM20W3TK6<sup>(2)</sup></b>	<b>SC20W3TK6<sup>(1)</sup></b>	–	–	0.047"-0.082"	1.20-2.10
22-20	0.012"-0.020"	0.32-0.52	<b>SM20W3S26<sup>(2)</sup></b>	<b>SC20W3S25<sup>(1)</sup></b>	–	–	0.047"-0.082"	1.20-2.10		

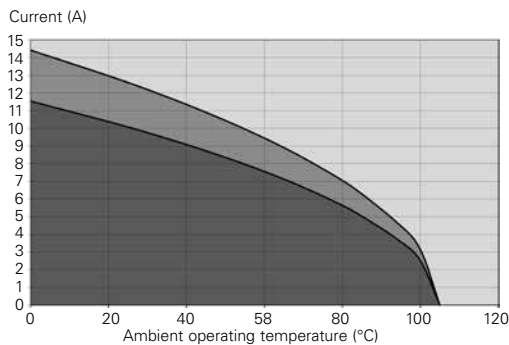
(1) Loose piece contact available by adding "L" after the "M" for the contact size and the plating. Example: SM20W3TK6 becomes SM20WL3TK6

Contact style	Contact type	Plating	Cable acceptance (AWG)	Wire stripping length	
				inch	mm
Hand solder	Loaded in the connector	Min 0.4µ gold over 0.8µ Ni	20 to 18	0.149"	3.8

### Electrical characteristics

UL	CSA	IEC
UTSX 106 4.5A 250V with AWG20 wire	3A 250V with AWG20 wire	7A 32V 1.5kV 3
UTSX 10E6/10D6 6A 250V with AWG20 wire	6A 250V with AWG20 wire	7A 32V 1.5kV 3

### UTSX 106 - 10E6/10D6 derating curves



- Current use
- Limited use
- Not recommended use

#### Test conditions

Contact used: machined contacts  
Wires used: 20 AWG

Derating curves based on continuous current application.

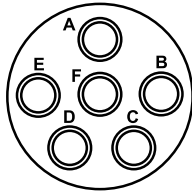
# Souriau UTSX series

10E98/10D98 (Shell size 10, 6x#20)



## Connector part number

### UTSX 10E98/10D98



6 contacts 6A/250V  
per UL 1977 with  
AWG20 wire

Contact type	Connector type	Backshell	Part number Male insert	Female insert
Hand solder electrical contacts loaded see <b>Page 77</b>	Square flange receptacle	Without (Fig. 1)	<b>UTSX010E98P</b>	<b>UTSX010E98S</b>
	Plug	Without (Fig. 5)	<b>UTSX610E98P</b>	<b>UTSX610E98S</b>
	Plug	Cable gland (Fig. 3)	<b>UTSX6JC10E98P</b>	<b>UTSX6JC10E98S</b>
	Jam nut receptacle	Without (Fig. 4)	<b>UTSX710E98P</b>	<b>UTSX710E98S</b>
PCB contacts loaded see <b>Page 77</b>	Square flange receptacle	Without (Fig. 2)	<b>UTSX010D98P</b>	<b>UTSX010D98S</b>
	Jam nut receptacle with stand off and without hold down clip	Without (Fig. 5)	<b>UTSX710D98P</b>	<b>UTSX710D98S</b>
	Jam nut receptacle with stand off and with hold down clips	Without (Fig. 6)	<b>UTSX710D98P32</b>	<b>UTSX710D98S32</b>

For discrimination/keying methods see **Page 223**

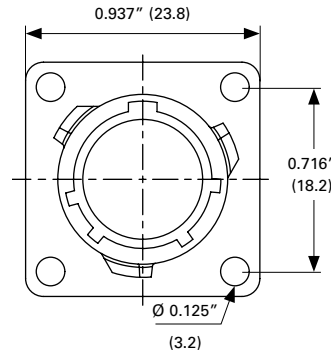
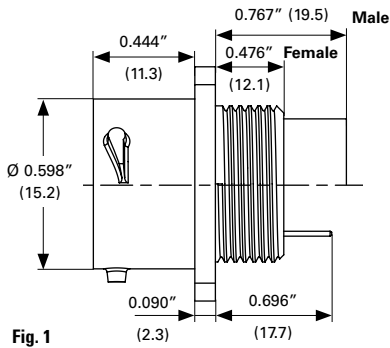
Sealed unmated

## Overmolded cable assembly part numbers

Please contact us directly for overmolded cable assemblies.

## Dimensions (For mated connector lengths see Page 215)

### Square flange receptacle - UTSX0



### Plug - UTSX6 and UTSX6JC

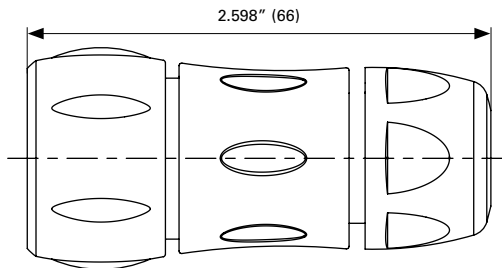
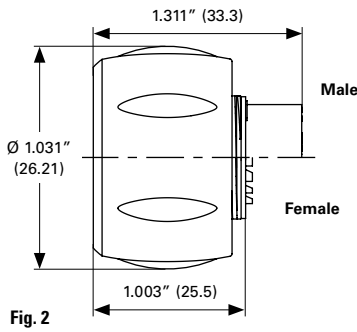
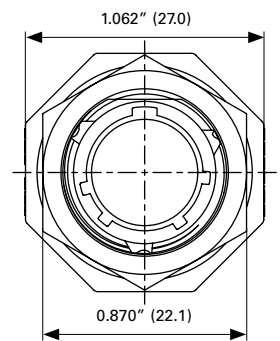
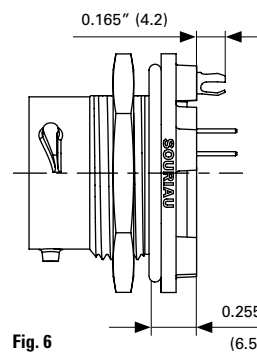
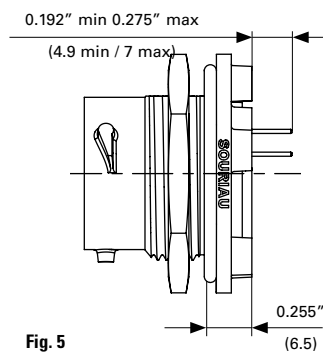
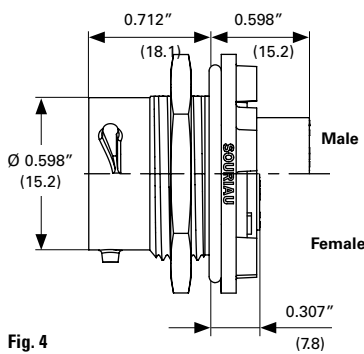


Fig. 3

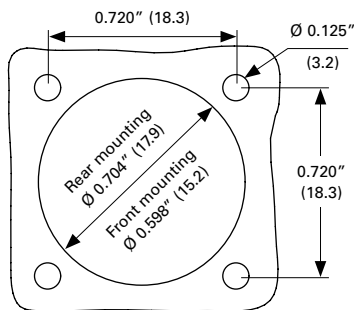
Cable diameter acceptance: standard seal: from 0.098" to 0.314" (2.5 to 8),  
reduced seal: from 0.059" to 0.196" (1.5 to 5)

### Jam nut receptacle UTSX7

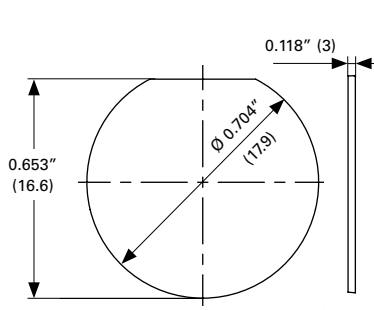


### Panel cut out

#### Square flange receptacle - UTSX0



#### Jam nut receptacle - UTSX7



Dimensions in inches (millimeters)

# Souriau UTSX series

10E98/10D98 (Shell size 10, 6x#20)

## Accessories

### Jam nut and free hanging receptacle sealing caps



Description	Part number
IP68	<b>UTS10DCG</b>
IP68 - Metal terminal	<b>UTS10DCGR</b>

### Square flange sealing cap



Description	Part number
IP68 - Metal terminal	<b>UTS10DCGE</b>

### Plug sealing cap



Description	Part number
IP68	<b>UTX610DCG</b>

### Plastic protective cap



Part number receptacle cap	Part number plug cap
<b>85005586A</b>	<b>85005595</b>

### Gasket



Part number
<b>UTFD12B</b>

### Color coding rings



Description	Part number receptacles	Part number plugs
G for Green	<b>UTS710CCRG</b>	<b>UTS610CCRG</b>
Y for Yellow	<b>UTS710CCRY</b>	<b>UTS610CCRY</b>
R for Red	<b>UTS710CCRR</b>	<b>UTS610CCRR</b>

**Contacts #20**

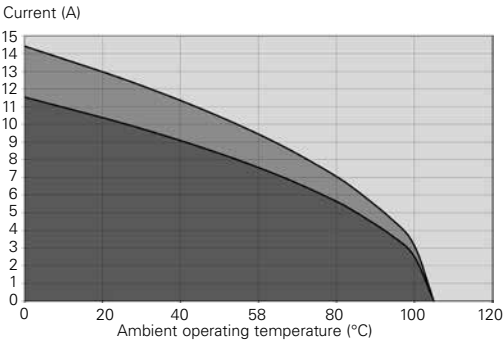
Contact style	Contact type	Plating	Cable acceptance (AWG)	Wire stripping length	
				inch	mm
Hand solder	Loaded in the connector	Min 0.4µ gold over 0.8µ Ni	20 to 18	0.149"	3.8

**Electrical characteristics**

UL	CSA	IEC
6A 250V with AWG20 wire	6A 250V with AWG20 wire	7A 50V 1.5kV 3

Electrical information according to the IEC 61984, with pollution degree IV and overvoltage category III.

**UTSX 10E98/10D98 derating curves**



- Current use
- Limited use
- Not recommended use

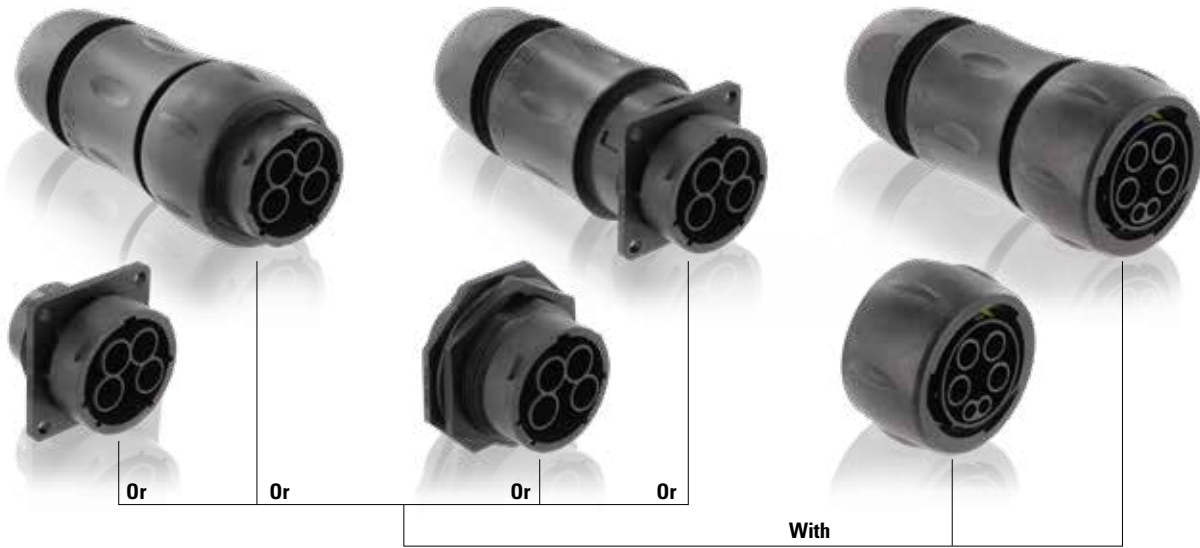
**Test conditions**

Contact used: machined contacts  
Wires used: 20 AWG

Derating curves based on continuous current application.

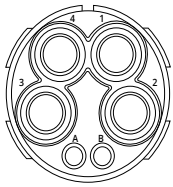
# Souriau UTSX series

186 (Shell size 18, 4x#8, 2x#16)



## Connector part number

### UTSX 186



6 contacts  
46A/600V per UL 1977  
with AWG8 wire

Contact type	Connector type	Backshell	Part number Male insert	Female insert
Crimp contacts supplied separately see <b>Page 82</b>	Square flange receptacle	Without (Fig. 1)	<b>UTSX0186P</b>	<b>UTSX0186S</b>
	Square flange receptacle	Cable gland (Fig. 2)	<b>UTSX0JC186P</b>	<b>UTSX0JC186S</b>
	Free hanging receptacle	Cable gland (Fig. 3)	<b>UTSX1JC186P</b>	<b>UTSX1JC186S</b>
	Plug	Without (Fig. 4)	<b>UTSX6186P</b>	<b>UTSX6186S</b>
	Plug	Cable gland (Fig. 5)	<b>UTSX6JC186P</b>	<b>UTSX6JC186S</b>
	Jam nut receptacle	Without (Fig. 6)	<b>UTSX7186P</b>	<b>UTSX7186S</b>
	Jam nut receptacle with stand off and with hold down clips	Without (Fig. 8)	<b>UTSX7186P32</b>	<b>UTSX7186S32</b>
	PCB contacts supplied separately see <b>Page 82</b>	Square flange receptacle	Without (Fig. 1)	<b>UTSX0186P</b>
Jam nut receptacle		Without (Fig. 7)	<b>UTSX7186P</b>	<b>UTSX7186S</b>

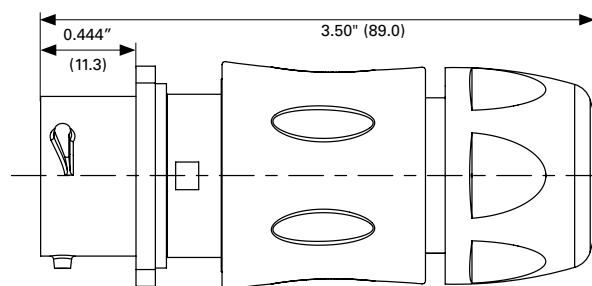
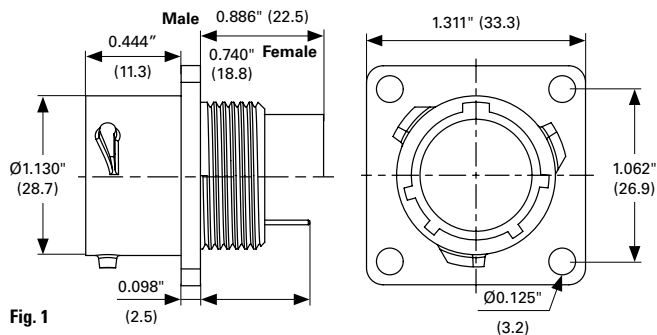
For discrimination/keying methods see **Page 223**

## Overmolded cable assembly part numbers

Please contact us directly for overmolded cable assemblies.

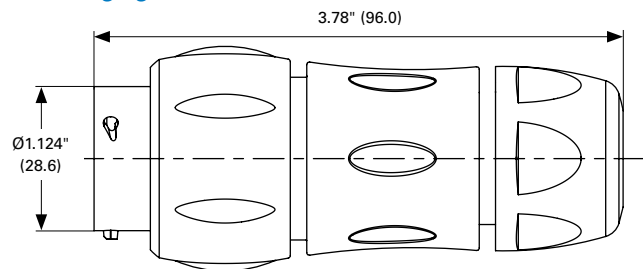
**Dimensions** (For mated connector lengths see Page 215)

**Square flange receptacle - UTSX0 and UTSX0JC**



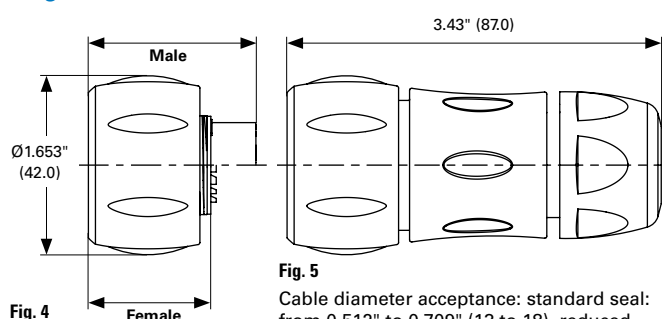
**Fig. 2**  
Cable diameter acceptance: standard seal: from 0.512" to 0.709" (13 to 18), reduced seal: from 0.433" to 0.590" (11 to 15).

**Free hanging - UTSX1JC and UTSXGJC**



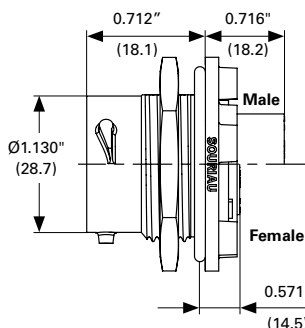
**Fig. 3**  
Cable diameter acceptance: standard seal: from 0.512" to 0.709" (13 to 18), reduced seal: from 0.433" to 0.590" (11 to 15).

**Plug - UTSX6 and UTSX6JC**

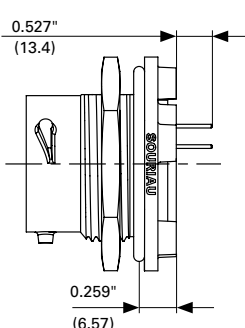


**Fig. 5**  
Cable diameter acceptance: standard seal: from 0.512" to 0.709" (13 to 18), reduced seal: from 0.433" to 0.590" (11 to 15).

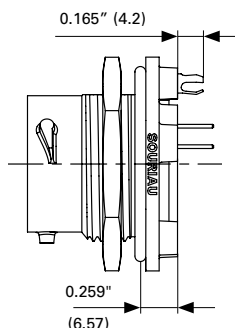
**Jam nut receptacle UTSX7**



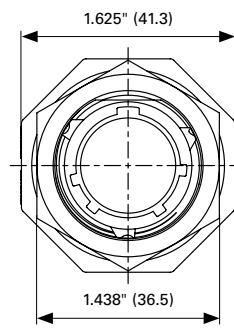
**Fig. 6**



**Fig. 7**

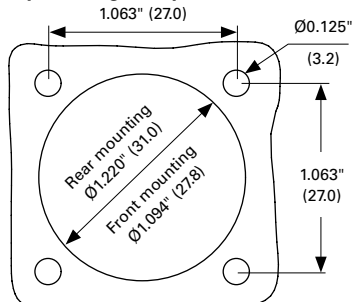


**Fig. 8**

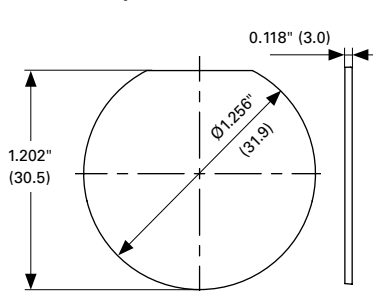


**Panel cut out**

**Square flange receptacle - UTSX0**



**Jam nut receptacle - UTSX7**



Dimensions in inches (millimeters)

# Souriau UTSX series

186 (Shell size 18, 4x#8, 2x#16)

## Accessories

### Jam nut and free hanging receptacle sealing caps



Description	Part number
IP68	UTS18DCG
IP68 - Metal terminal	UTS18DCGR

### Square flange sealing cap



Description	Part number
IP68 - Metal terminal	UTS18DCGE

### Plug sealing cap



Description	Part number
IP68	UTS618DCG

### Plastic protective cap



Part number receptacle cap	Part number plug cap
85005590A	85005599

### Gasket



Part number
UTFD16B

### Color coding rings



Description	Part number receptacles	Part number plugs
G for Green	UTS718CCRG	UTS618CCRG
Y for Yellow	UTS718CCRY	UTS618CCRY
R for Red	UTS718CCRR	UTS618CCRR

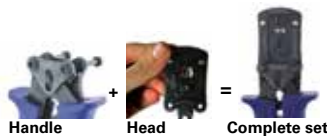
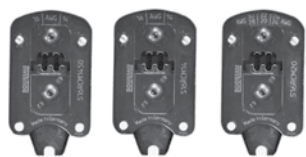
## Tooling

### Tooling



Description	Part number
Handle (without head)	<b>Shandles</b>
Box containing handle and several crimp tooling	<b>Toolkit</b>

### Crimp tooling (without Shandles)



Contact size	Contacts	Part number of Head
Standard contacts #16 Ø 0.062" (1.6)	RM/RC 28M1K <sup>(1)</sup>	<b>S16RCM20*</b>
	RM/RC 24M9K <sup>(1)</sup>	<b>S16RCM20*</b>
	RM/RC 20M13K <sup>(1)</sup>	<b>S16RCM20*</b>
	RM/RC 20M12K <sup>(1)</sup>	<b>S16RCM20*</b>
	RM/RC 16M23K <sup>(1)</sup>	<b>S16RCM16*</b>
	RM/RC 14M30K <sup>(1)</sup>	<b>S16RCM14*</b>
	SM/SC 24ML1TK6 <sup>(1)</sup>	<b>S16SCM20*</b>
	SM/SC 20ML1TK6 <sup>(1)</sup>	<b>S16SCM20*</b>
	SM/SC 16ML1TK6 <sup>(1)</sup>	<b>S16SCML1*</b>
	SM/SC 14ML1TK6 <sup>(1)</sup>	<b>S16SCML1*</b>
	SM/SC 16ML1TK6 <sup>(1)</sup>	<b>S16SCML11*</b>

(1) Example of plating, for other plating options see **Page 198**  
\* Heads to be used with handle PN: SHANGLES

### #16, #12 and #8 machined contacts



Description	Part number
Crimp tool	<b>M20S-1J</b>
Die casts and stop bushings	See <b>Page 210</b>

### Extraction tool #16



Description	Part number
<b>Fig. 1</b>	<b>RX2025GE1</b>
<b>Fig. 2</b> - Long endurance tool	<b>RX2031J</b>

### #8 Machine contacts



Contact size	Part number
Shandle only	<b>M317</b>

### Positioner + Locator setting #8



Contact size	Part number
For crimp contacts #8 Ø 0.141" (3.6)	<b>VGE10078A</b>

### Extraction tool #8



Description	Part number
For crimp contacts #8 Ø 0.141" (3.6)	<b>51060210936</b>

# Souriau UTSX series

186 (Shell size 18, 4x#8, 2x#16)

## Contacts #8

Contact style	Contact type	Cable acceptance		Part number	Wire Ø max		Insulator Ø max			
		AWG	inch <sup>2</sup>		mm <sup>2</sup>	Male	Female	inch	mm	
Crimp contacts	Machined	16	0.059"	1.48	<b>82913601A</b> <sup>(1)</sup>	<b>82913600A</b> <sup>(1)</sup>	0.067"	1.72	0.255"	6.5
Crimp contacts	Machined	14	0.098"	2.48	<b>82913603A</b> <sup>(1)</sup>	<b>82913602A</b> <sup>(1)</sup>	0.087"	2.20	0.255"	6.5
Crimp contacts	Machined	12	0.157"	4.00	<b>82913605A</b> <sup>(1)</sup>	<b>82913604A</b> <sup>(1)</sup>	0.111"	2.82	0.255"	6.5
Crimp contacts	Machined	10	0.236"	6.00	<b>82913607A</b> <sup>(1)</sup>	<b>82913606A</b> <sup>(1)</sup>	0.137"	3.48	0.255"	6.5
Crimp contacts	Machined	8	0.393"	10.00	<b>82913609A</b> <sup>(1)</sup>	<b>82913608A</b> <sup>(1)</sup>	0.171"	4.35	0.255"	6.5
PCB	Machined <sup>(2)</sup>	–	–	–	<b>82911685NPC</b> <sup>(1)</sup>	<b>82911684NPC</b> <sup>(1)</sup>	–	–	–	–

(1) Example of plating, for other plating see **Page 198**

(2) For dimensions see **Page 205**

## Contacts #16

Contact style	Contact type	Cable acceptance		Part number	Wire Ø max		Insulator Ø max			
		AWG	inch <sup>2</sup>		mm <sup>2</sup>	Male	Female	inch	mm	
Crimp contacts	Machined	30-28	0.002"-0.003"	0.05-0.08	<b>RM28M1K</b> <sup>(1)</sup>	<b>RC28M1K</b> <sup>(1)</sup>	0.021"	0.55	0.039"	1.00
		26-24	0.005"-0.009"	0.13-0.25	<b>RM24M9K</b> <sup>(1)</sup>	<b>RC24M9K</b> <sup>(1)</sup>	0.031"	0.80	0.062"	1.58
		22-20	0.012"-0.020"	0.32-0.52	<b>RM20M13K</b> <sup>(1)</sup>	<b>RC20M13K</b> <sup>(1)</sup>	0.045"	1.15	0.070"	1.80
		22-20	0.012"-0.020"	0.32-0.52	<b>RM20M12K</b> <sup>(1)</sup>	<b>RC20M12K</b> <sup>(1)</sup>	0.045"	1.15	0.086"	2.20
		20-16	0.020"-0.059"	0.52-1.48	<b>RM16M23K</b> <sup>(1)</sup>	<b>RC16M23K</b> <sup>(1)</sup>	0.070"	1.80	0.125"	3.20
		16-14	0.059"-0.098"	1.48-2.48	<b>RM14M30K</b> <sup>(1)</sup>	<b>RC14M30K</b> <sup>(1)</sup>	0.090"	2.30	0.125"	3.20
	Stamped and formed reeled contacts See note <sup>(2)</sup> for loose piece	26-24	0.005"-0.009"	0.13-0.25	<b>SM24M1TK6</b> <sup>(1)(2)</sup>	<b>SC24M1TK6</b> <sup>(1)(2)</sup>	–	–	0.035"-0.062"	0.90-1.58
		22-20	0.012"-0.020"	0.32-0.52	<b>SM20M1TK6</b> <sup>(1)(2)</sup>	<b>SC20M1TK6</b> <sup>(1)(2)</sup>	–	–	0.047"-0.082"	1.20-2.10
		18-16	0.031"-0.059"	0.80-1.48	<b>SM16M1TK6</b> <sup>(1)(2)</sup>	<b>SC16M1TK6</b> <sup>(1)(2)</sup>	–	–	0.125"	3.20
		18-16	0.031"-0.059"	0.80-1.48	<b>SM16M11TK6</b> <sup>(1)(2)</sup>	<b>SC16M11TK6</b> <sup>(1)(2)</sup>	–	–	0.118"	3.00
PCB	Machined <sup>(3)</sup>	–	–	–	<b>RM20M12E83K</b> <sup>(1)</sup>	<b>RC20M12E84K</b> <sup>(1)</sup>	–	–	–	–
		–	–	–	<b>RM20M12E83K</b> <sup>(1)</sup>	<b>RC20M12E84K</b> <sup>(1)</sup>	–	–	–	–
Coaxial	Cable multipiece	see <b>Page 202</b>	–	–	<b>RMDXK10D28</b>	<b>RCDXK1D28</b>	–	–	–	–
	Cable monocrimp	see <b>Page 202</b>	–	–	<b>RMDX60xxD28</b>	<b>RCDX60xxD28</b>	–	–	–	–
	Twisted pair multipiece	see <b>Page 202</b>	–	–	<b>RMDXK10D28 + yorx090</b>	<b>RCDXK1D28 + yorx090</b>	–	–	–	–
	Twisted pair monocrimp	see <b>Page 202</b>	–	–	<b>RMDX60xxD28</b>	<b>RCDX60xxD28</b>	–	–	–	–
Fiber optic	POF contacts (Plastic optical fiber)	–	–	–	<b>RMPOF1000</b>	<b>RCPOF1000B</b>	–	–	–	–
Hand solder	Loaded in the connector	14-18	0.098"-0.031"	2.48-0.80	–	–	–	–	–	–

(1) Example of plating, for other plating see **Page 198**

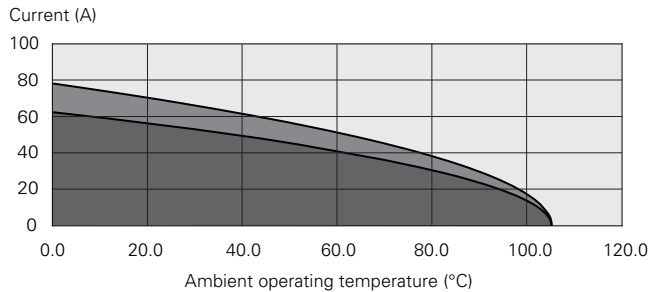
(2) Loose piece contact available by adding "L" after the "M" for the contact size and the plating. Example: SM20M1TK6 becomes SM20ML1TK6

(3) For dimensions see **Page 205**

## Electrical characteristics

UL	CSA	IEC
UTSX 186 46A 600V with AWG8	40A 600V with AWG8	46A 320V 4kV 3

## UTSX 186 derating curves



- Current use
- Limited use
- Not recommended use

### Test conditions

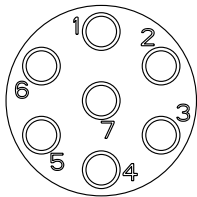
Contact used: machined contacts  
Wires used: 8 AWG

Derating curves based on continuous current application.



## Connector part number

### UTSX 147



6 contacts + ground  
10A/500V per UL 1977  
with AWG16 wire

### 14E7/14D7

6 contacts + ground  
12A/600V per UL 1977  
with AWG16 wire

Contact type	Connector type	Backshell	Part number Male insert	Female insert
Crimp contacts supplied separately see <b>Page 87</b>	Square flange receptacle	Without (Fig. 1)	<b>UTSX0147P</b>	<b>UTSX0147S</b>
	Square flange receptacle	Cable gland (Fig. 2)	<b>UTSX0JC147P</b>	<b>UTSX0JC147S</b>
	Free hanging receptacle	Cable gland (Fig. 3)	<b>UTSX1JC147P</b>	<b>UTSX1JC147S</b>
	Free hanging receptacle	Cable gland and grommet (Fig. 3)	<b>UTSX1GJC147P</b>	-
	Plug	Without (Fig. 4)	<b>UTSX6147P</b>	<b>UTSX6147S</b>
	Plug	Cable gland (Fig. 5)	<b>UTSX6JC147P</b>	<b>UTSX6JC147S</b>
	Plug	Cable gland and grommet (Fig. 5)	-	<b>UTSX6GJC147S</b>
	Jam nut receptacle	Without (Fig. 6)	<b>UTSX7147P</b>	<b>UTSX7147S</b>
	Jam nut receptacle	Cable gland and grommet (Fig. 10)	<b>UTSX7GJC147P</b>	-
Screw contacts loaded	Free hanging receptacle	Cable gland (Fig. 3)	<b>UTSX1JC147PSCR</b>	-
	Plug	Cable gland (Fig. 5)	<b>UTSX6JC147PSCR</b>	<b>UTSX6JC147SSCR</b>
	Jam nut receptacle	Without (Fig. 9)	<b>UTSX7147PSCR</b>	<b>UTSX7147SSCR</b>
PCB contacts supplied separately see <b>Page 87</b>	Jam nut receptacle	Without (Fig. 1)	<b>UTSX7147PSEK9</b>	-
Handsold electrical contacts loaded see <b>Page 87</b>	Square flange receptacle	Without (Fig. 1)	<b>UTSX014E7P</b>	<b>UTSX014E7S</b>
	Plug	Without (Fig. 4)	<b>UTSX614E7P</b>	<b>UTSX614E7S</b>
	Plug	Cable gland (Fig. 5)	<b>UTSX6JC14E7P</b>	<b>UTSX6JC14E7S</b>
	Jam nut receptacle	Without (Fig. 6)	<b>UTSX714E7P</b>	<b>UTSX714E7S</b>
PCB contacts loaded	Square flange receptacle	Without (Fig. 3)	<b>UTSX014D7P</b>	<b>UTSX014D7S</b>
	Jam nut receptacle with stand off and without hold down clip	Without (Fig.7)	<b>UTSX714D7P</b>	<b>UTSX714D7S</b>
	Jam nut receptacle with stand off and with hold down clips	Without (Fig. 8)	<b>UTSX714D7P32</b>	<b>UTSX714D7S32</b>

Sealed unmatred

## Overmolded cable assembly part numbers

Please contact us directly for overmolded cable assemblies.

# Souriau UTSX series

147 - 14E7/14D7 (Shell size 14, 6 + ground, 7x#16)

## Dimensions (For mated connector lengths see Page 215)

### Square flange receptacle - UTSX0 and UTSX0JC

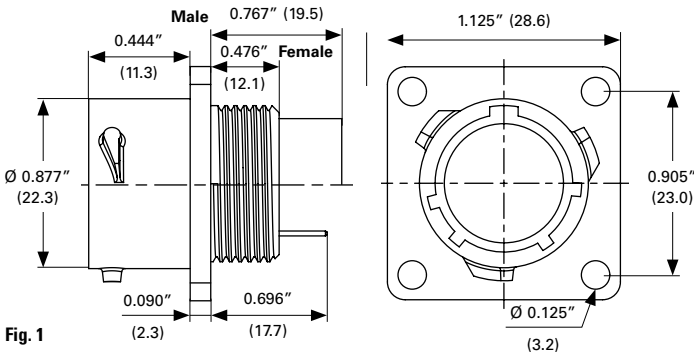


Fig. 1

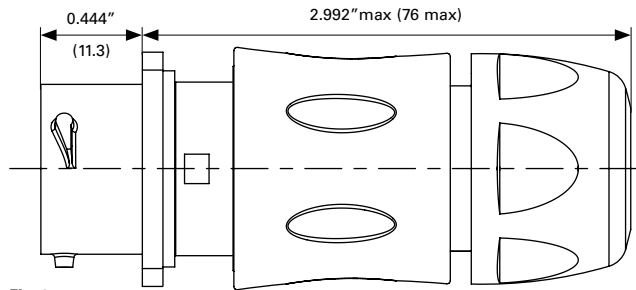


Fig. 2

Cable diameter acceptance: standard seal: from 0.275" to 0.551" (7 to 14), reduced seal: from 0.196" to 0.472" (5 to 12)

### Free hanging - UTSX1JC and UTSXGJC

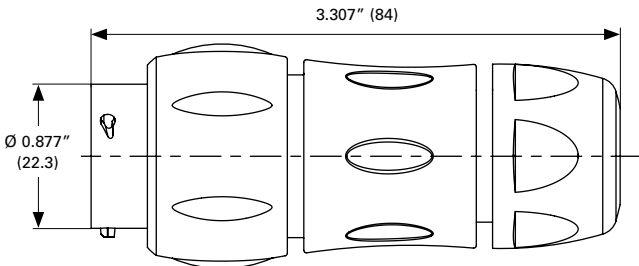


Fig. 3

Cable diameter acceptance: standard seal: from 0.275" to 0.551" (7 to 14), reduced seal: from 0.196" to 0.472" (5 to 12)

### Plug - UTSX6, UTSX6JC and UTSX6GJC

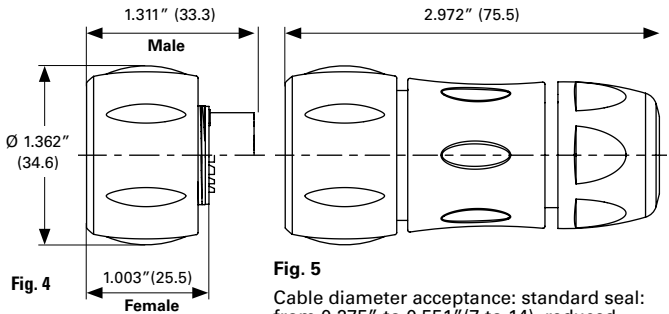


Fig. 4

Fig. 5

Cable diameter acceptance: standard seal: from 0.275" to 0.551" (7 to 14), reduced seal: from 0.196" to 0.472" (5 to 12)

### Jam nut receptacle UTSX7

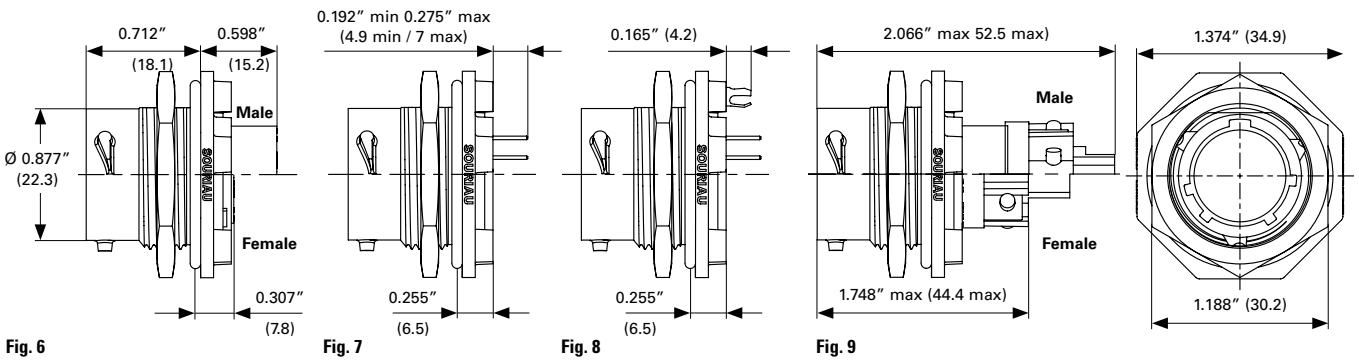


Fig. 6

Fig. 7

Fig. 8

Fig. 9

### Jam nut receptacle UTSX7GJC

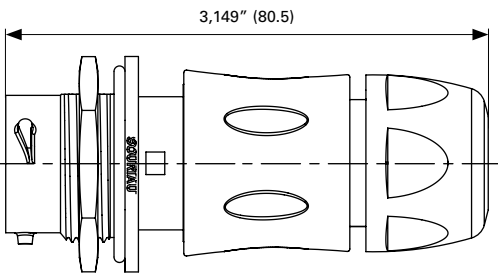
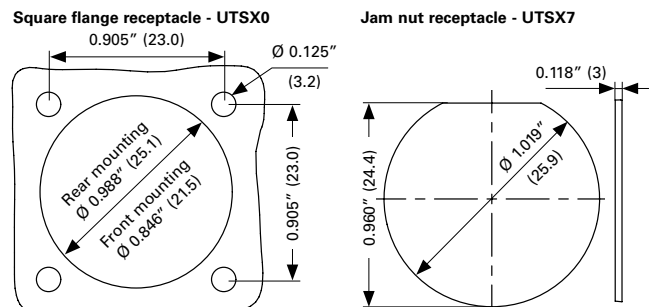


Fig. 10

### Panel cut out



Dimensions in inches (millimeters)

## Accessories

### Jam nut and free hanging receptacle sealing caps



Description	Part number
IP68	<b>UTS14DCG</b>
IP68 - Metal terminal	<b>UTS14DCGR</b>

### Square flange sealing cap



Description	Part number
IP68 - Metal terminal	<b>UTS14DCGE</b>

### Plug sealing cap



Description	Part number
IP68	<b>UTX614DCG</b>

### Plastic protective cap



Part number receptacle cap	Part number plug cap
<b>85005588A</b>	<b>85005597</b>

### Gasket



Part number
<b>UTFD14B</b>

### Color coding rings



Description	Part number receptacles	Part number plugs
G for Green	<b>UTS714CCRG</b>	<b>UTS614CCRG</b>
Y for Yellow	<b>UTS714CCRY</b>	<b>UTS614CCRY</b>
R for Red	<b>UTS714CCRR</b>	<b>UTS614CCRR</b>

# Souriau UTSX series

147 - 14E7/14D7 (Shell size 14, 6 + ground, 7x#16)

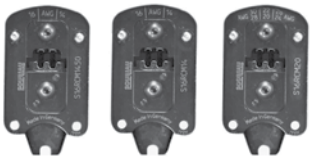
## Tooling

### Tooling



Description	Part number
Handle (without head)	<b>Shandles</b>
Box containing handle and several crimp tooling	<b>Toolkit</b>

### Crimp tooling (without Shandles)



Contact size	Contacts	Part number of Head
Standard contacts #16 Ø 0.062" (1.6)	RM/RC 28M1K <sup>(1)</sup>	S16RCM20*
	RM/RC 24M9K <sup>(1)</sup>	S16RCM20*
	RM/RC 20M13K <sup>(1)</sup>	S16RCM20*
	RM/RC 20M12K <sup>(1)</sup>	S16RCM20*
	RM/RC 16M23K <sup>(1)</sup>	S16RCM16*
	RM/RC 14M30K <sup>(1)</sup>	S16RCM14*
	SM/SC 24ML1TK6 <sup>(1)</sup>	S16SCM20*
	SM/SC 20ML1TK6 <sup>(1)</sup>	S16SCM20*
	SM/SC 16ML1TK6 <sup>(1)</sup>	S16SCML1*
	SM/SC 14ML1TK6 <sup>(1)</sup>	S16SCML1*
	SM/SC 16ML11TK6 <sup>(1)</sup>	S16SCML11*

(1) Example of plating, for other plating options see **Page 198**  
\* Heads to be used with handle PN: SHANDLES

### #16, #12 and #8 machined contacts



Description	Part number
Crimp tool	<b>M20S-1J</b>
Die casts and stop bushings	See <b>Page 210</b>

### Extraction tool #16

Fig. 1



Fig. 2



Description	Part number
<b>Fig. 1</b>	<b>RX2025GE1</b>
<b>Fig. 2</b> - Long endurance tool	<b>RX2031J</b>

**Contacts #16**

Contact style	Contact type	Cable acceptance		Part number	Wire Ø max		Insulator Ø max			
		AWG	inch <sup>2</sup>		mm <sup>2</sup>	inch	mm	inch	mm	
Crimp contacts	Machined	30-28	0.002"-0.003"	0.05-0.08	RM28M1K <sup>(1)</sup>	RC28M1K <sup>(1)</sup>	0.021"	0.55	0.039"	1.00
		26-24	0.005"-0.009"	0.13-0.25	RM24M9K <sup>(1)</sup>	RC24M9K <sup>(1)</sup>	0.031"	0.80	0.062"	1.58
		22-20	0.012"-0.020"	0.32-0.52	RM20M13K <sup>(1)</sup>	RC20M13K <sup>(1)</sup>	0.045"	1.15	0.070"	1.80
		22-20	0.012"-0.020"	0.32-0.52	RM20M12K <sup>(1)</sup>	RC20M12K <sup>(1)</sup>	0.045"	1.15	0.086"	2.20
		20-16	0.020"-0.059"	0.52-1.48	RM16M23K <sup>(1)</sup>	RC16M23K <sup>(1)</sup>	0.070"	1.80	0.125"	3.20
		16-14	0.059"-0.098"	1.48-2.48	RM14M30K <sup>(1)</sup>	RC14M30K <sup>(1)</sup>	0.090"	2.30	0.125"	3.20
	Stamped and formed reeled contacts See note <sup>(2)</sup> for loose piece	26-24	0.005"-0.009"	0.13-0.25	SM24M1TK6 <sup>(1)(2)</sup>	SC24M1TK6 <sup>(1)(2)</sup>	-	-	0.035"-0.062"	0.90-1.58
		22-20	0.012"-0.020"	0.32-0.52	SM20M1TK6 <sup>(1)(2)</sup>	SC20M1TK6 <sup>(1)(2)</sup>	-	-	0.047"-0.082"	1.20-2.10
		18-16	0.031"-0.059"	0.80-1.48	SM16M1TK6 <sup>(1)(2)</sup>	SC16M1TK6 <sup>(1)(2)</sup>	-	-	0.125"	3.20
		18-16	0.031"-0.059"	0.80-1.48	SM16M11TK6 <sup>(1)(2)</sup>	SC16M11TK6 <sup>(1)(2)</sup>	-	-	0.118"	3.00
		14	0.098"	2.48	SM14M1TK6 <sup>(1)(2)</sup>	SC14M1TK6 <sup>(1)(2)</sup>	-	-	0.125"	3.20
		PCB	Machined <sup>(3)</sup>	-	-	RM20M12E83K <sup>(1)</sup>	RC20M12E84K <sup>(1)</sup>	-	-	-
Coaxial	Cable multipiece	see Page 202		RMDXK10D28	RCDXK1D28	-	-	-	-	
	Cable monocrimp	see Page 202		RMDX60xxD28	RCDX60xxD28	-	-	-	-	
	Twisted pair multipiece	see Page 202		RMDXK10D28 + yorx090	RCDXK1D28 + yorx090	-	-	-	-	
	Twisted pair monocrimp	see Page 202		RMDX60xxD28	RCDX60xxD28	-	-	-	-	
Fiber optic	POF contacts (Plastic optical fiber)	-		RMPDF1000	RCPOF1000B	-	-	-	-	
Handsoldier	Loaded in the connector	14-18	0.098"-0.031"	2.48-0.80	-	-	-	-	-	

(1) Example of plating, for other plating see Page 198

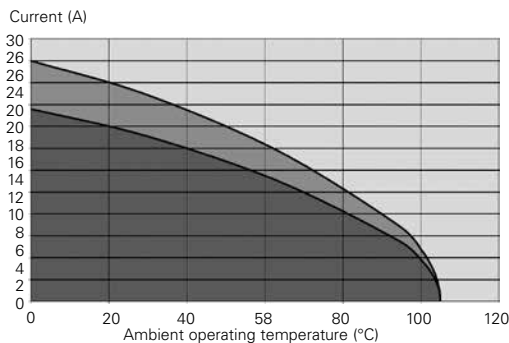
(2) Loose piece contact available by adding "L" after the "M" for the contact size and the plating. Example: SM20M1TK6 becomes SM20ML1TK6

(3) For dimensions see Page 205

**Electrical characteristics**

UL	CSA	IEC
UTSX 147 10A 500V with AWG16 wire	7A 500V with AWG16 wire	7A 150V 1.5kV 3
UTSX 14E7/14D7 12A 600V with AWG16 wire	12A 600V with AWG16 wire	7A 150V 1.5kV 3

**UTSX 147 - 14E7/14D7 derating curves**



- Current use
- Limited use
- Not recommended use

**Test conditions**

Contact used: machined contacts  
Wires used: 16 AWG

Derating curves based on continuous current application.

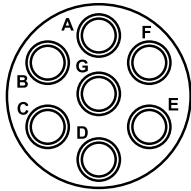
# Souriau UTSX series

10E7/10D7 (Shell size 10, 7x#20)



## Connector part number

### UTSX 10E7/10D7



7 contacts 6A/250V  
per UL 1977  
with AWG20 wire

Contact type	Connector type	Backshell	Part number Male insert	Female insert
Hand solder electrical contacts loaded see <b>Page 91</b>	Square flange receptacle	Without (Fig. 1)	<b>UTSX010E7P</b>	<b>UTSX010E7S</b>
	Plug	Without (Fig. 5)	<b>UTSX610E7P</b>	<b>UTSX610E7S</b>
	Plug	Cable gland (Fig. 3)	<b>UTSX6JC10E7P</b>	<b>UTSX6JC10E7S</b>
	Jam nut receptacle	Without (Fig. 4)	<b>UTSX710E7P</b>	<b>UTSX710E7S</b>
PCB contacts loaded see <b>Page 91</b>	Square flange receptacle	Without (Fig. 2)	<b>UTSX010D7P</b>	<b>UTSX010D7S</b>
	Jam nut receptacle with stand off and without hold down clip	Without (Fig. 5)	<b>UTSX710D7P</b>	<b>UTSX710D7S</b>
	Jam nut receptacle with stand off and with hold down clips	Without (Fig. 6)	<b>UTSX710D7P32</b>	<b>UTSX710D7S32</b>

For discrimination/keying methods see **Page 223**

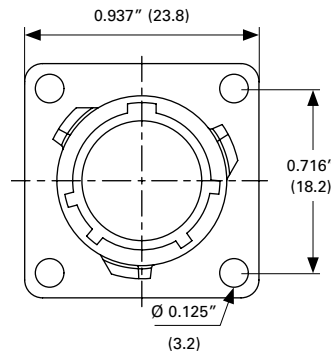
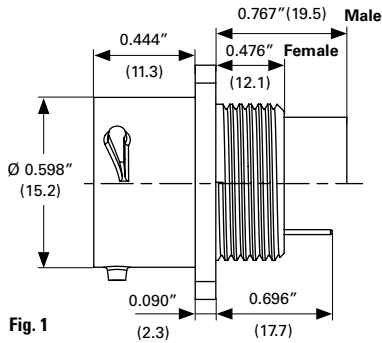
Sealed unmated

## Overmolded cable assembly part numbers

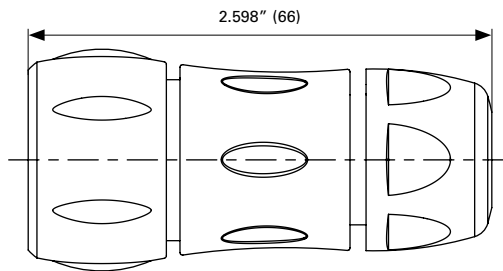
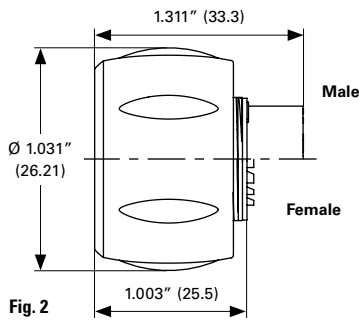
Please contact us directly for overmolded cable assemblies.

**Dimensions** (For mated connector lengths see Page 215)

**Square flange receptacle - UTSX0**



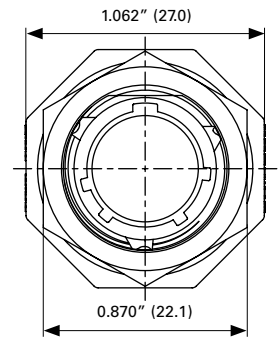
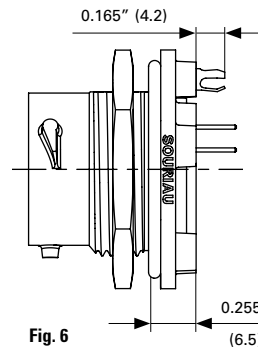
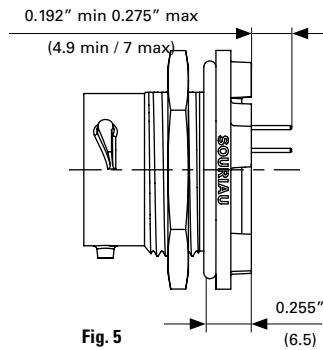
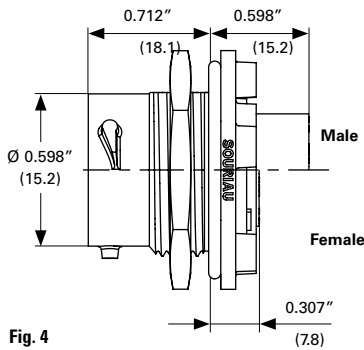
**Plug - UTSX6 and UTSX6JC**



**Fig. 3**

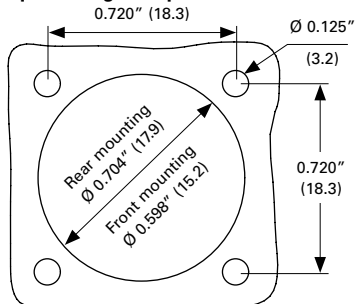
Cable diameter acceptance: standard seal: from 0.098" to 0.314" (2.5 to 8), reduced seal: from 0.059" to 0.196" (1.5 to 5)

**Jam nut receptacle UTSX7**

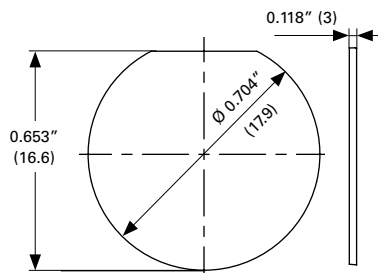


**Panel cut out**

**Square flange receptacle - UTSX0**



**Jam nut receptacle - UTSX7**



Dimensions in inches (millimeters)

# Souriau UTSX series

10E7/10D7 (Shell size 10, 7x#20)

## Accessories

### Jam nut and free hanging receptacle sealing caps



Description	Part number
IP68	<b>UTS10DCG</b>
IP68 - Metal terminal	<b>UTS10DCGR</b>

### Square flange sealing cap



Description	Part number
IP68 - Metal terminal	<b>UTS10DCGE</b>

### Plug sealing cap



Description	Part number
IP68	<b>UTX610DCG</b>

### Plastic protective cap



Part number receptacle cap	Part number plug cap
<b>85005586A</b>	<b>85005595</b>

### Gasket



Part number
<b>UTFD12B</b>

### Color coding rings



Description	Part number receptacles	Part number plugs
G for Green	<b>UTS710CCRG</b>	<b>UTS610CCRG</b>
Y for Yellow	<b>UTS710CCRY</b>	<b>UTS610CCRY</b>
R for Red	<b>UTS710CCRR</b>	<b>UTS610CCRR</b>

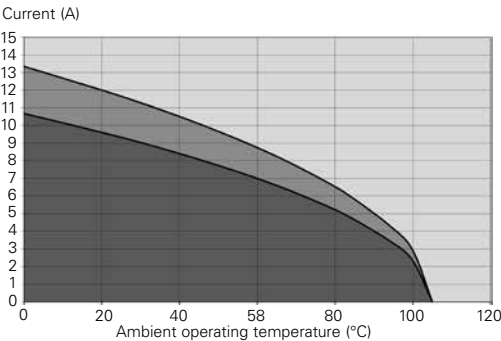
**Contacts #20**

Contact style	Contact type	Plating	Cable acceptance (AWG)	Wire stripping length	
				inch	mm
Handsoldier	Loaded in the connector	Min 0.4µ gold over 0.8µ Ni	20 to 18	0.149"	3.8

**Electrical characteristics**

UL	CSA	IEC
6A 250V with AWG20 wire	6A 250V with AWG20 wire	7A 50V 1.5kV 3

**UTSX 10E7/10D7 derating curves**



- Current use
- Limited use
- Not recommended use

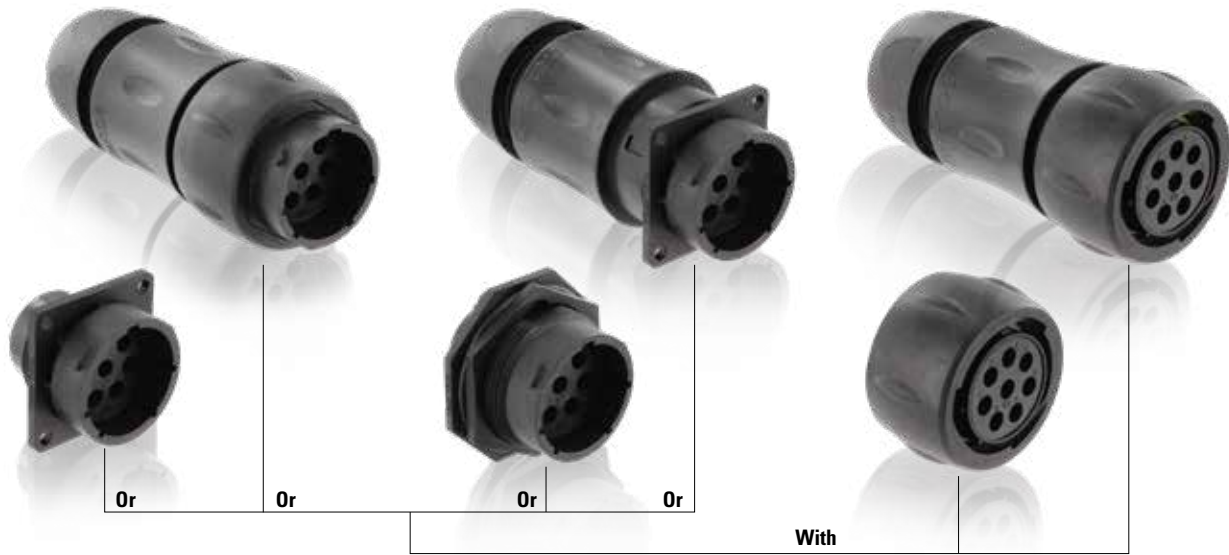
**Test conditions**

Contact used: machined contacts  
Wires used: 20 AWG

Derating curves based on continuous current application.

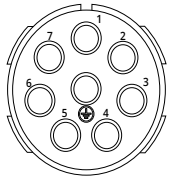
# Souriau UTSX series

187G1 (Shell size 18, 7 + ground, 8 x #12)



## Connector part number

### UTSX 187G1



7 contacts + ground  
23A/600V per UL 1977  
with AWG12 wire

Contact type	Connector type	Backshell	Part number Male insert	Female insert
Crimp contacts supplied separately see <b>Page 95</b>	Square flange receptacle	Without (Fig. 1)	<b>UTSX0187G1P</b>	<b>UTSX0187G1S</b>
	Square flange receptacle	Cable gland (Fig. 2)	<b>UTSX0JC187G1P</b>	<b>UTSX0JC187G1S</b>
	Free hanging receptacle	Cable gland (Fig. 3)	<b>UTSX1JC187G1P</b>	<b>UTSX1JC187G1S</b>
	Plug	Without (Fig. 4)	<b>UTSX6187G1P</b>	<b>UTSX6187G1S</b>
	Plug	Cable gland (Fig. 5)	<b>UTSX6JC187G1P</b>	<b>UTSX6JC187G1S</b>
	Jam nut receptacle	Without (Fig. 6)	<b>UTSX7187G1P</b>	<b>UTSX7187G1S</b>
	Jam nut receptacle with stand off and with hold down clips	Without (Fig. 8)	<b>UTSX7187G1P32</b>	<b>UTSX7187G1S32</b>
	PCB contacts supplied separately see <b>Page 95</b>	Square flange receptacle	Without (Fig. 1)	<b>UTSX0187G1P</b>
Jam nut receptacle		Without (Fig. 7)	<b>UTSX7187G1P</b>	<b>UTSX7187G1S</b>

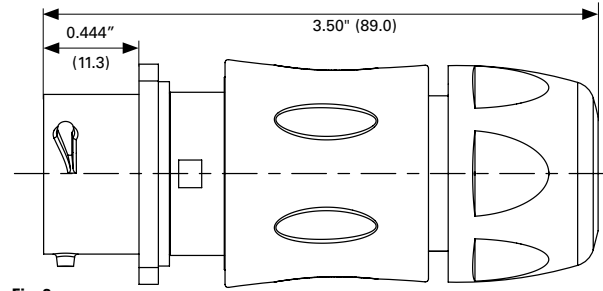
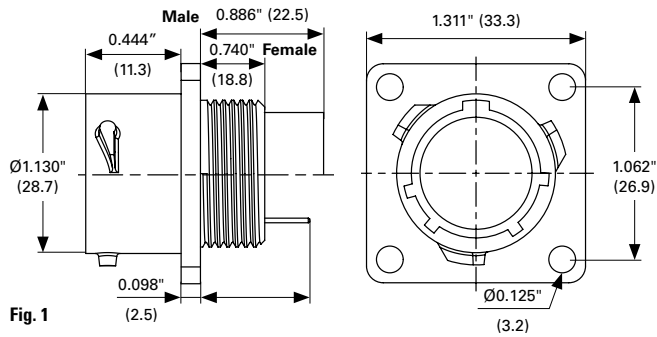
For discrimination/keying methods see **Page 223**

## Overmolded cable assembly part numbers

Please contact us directly for overmolded cable assemblies.

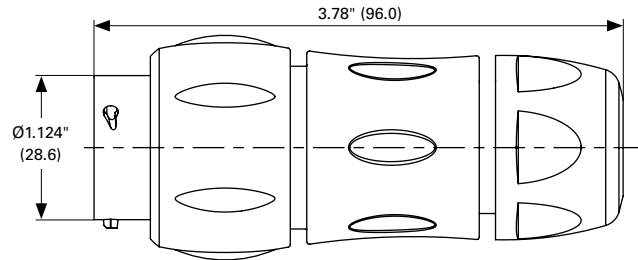
## Dimensions (For mated connector lengths see Page 215)

### Square flange receptacle - UTSX0 and UTSX0JC



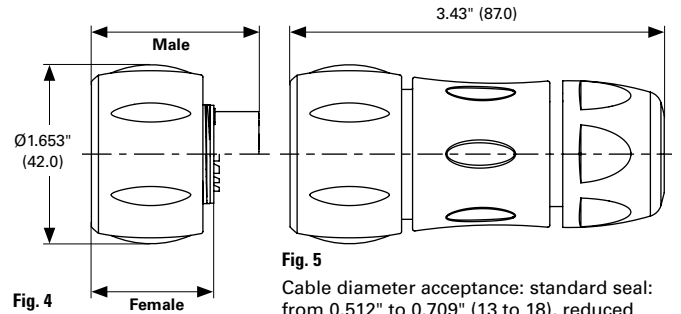
**Fig. 2**  
Cable diameter acceptance: standard seal: from 0.512" to 0.709" (13 to 18), reduced seal: from 0.433" to 0.590" (11 to 15).

### Free hanging - UTSX1JC and UTSXGJC



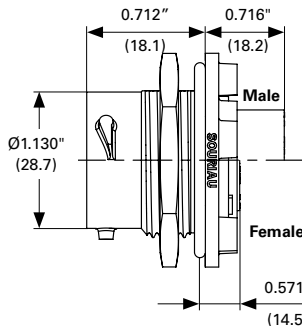
**Fig. 3**  
Cable diameter acceptance: standard seal: from 0.512" to 0.709" (13 to 18), reduced seal: from 0.433" to 0.590" (11 to 15).

### Plug - UTSX6 and UTSX6JC

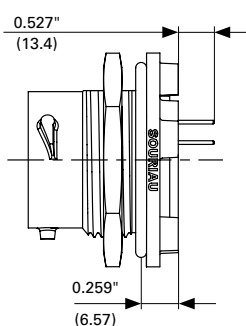


**Fig. 5**  
Cable diameter acceptance: standard seal: from 0.512" to 0.709" (13 to 18), reduced seal: from 0.433" to 0.590" (11 to 15).

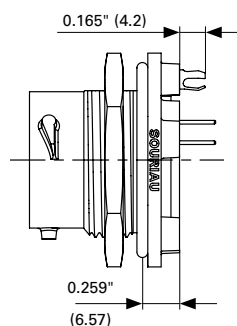
### Jam nut receptacle UTSX7



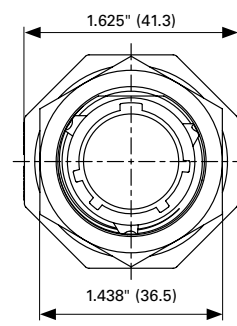
**Fig. 6**



**Fig. 7**

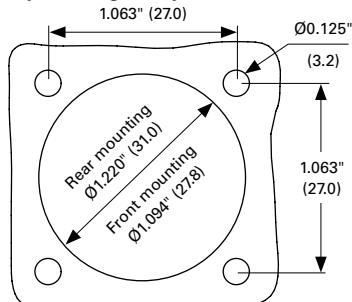


**Fig. 8**

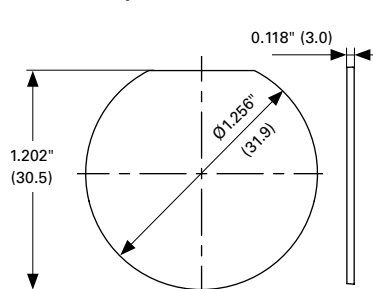


### Panel cut out

#### Square flange receptacle - UTSX0



#### Jam nut receptacle - UTSX7



Dimensions in inches (millimeters)

# Souriau UTSX series

187G1 (Shell size 18, 7 + ground, 8 x #12)

## Accessories

### Jam nut and free hanging receptacle sealing caps



Description	Part number
IP68	UTS18DCG
IP68 - Metal terminal	UTS18DCGR

### Square flange sealing cap



Description	Part number
IP68 - Metal terminal	UTS18DCGE

### Plug sealing cap



Description	Part number
IP68	UTS618DCG

### Plastic protective cap



Part number receptacle cap	Part number plug cap
85005590A	85005599

### Gasket



Part number
UTFD16B

### Color coding rings



Description	Part number receptacles	Part number plugs
G for Green	UTS718CCRG	UTS618CCRG
Y for Yellow	UTS718CCRY	UTS618CCRY
R for Red	UTS718CCRR	UTS618CCRR

## Tooling

### Crimp tooling #12



Contact size	Part number hand tool	Part number positioner + locator setting
Standard contacts #12 Ø 0.094" (2.4)	M317	VGE10077A

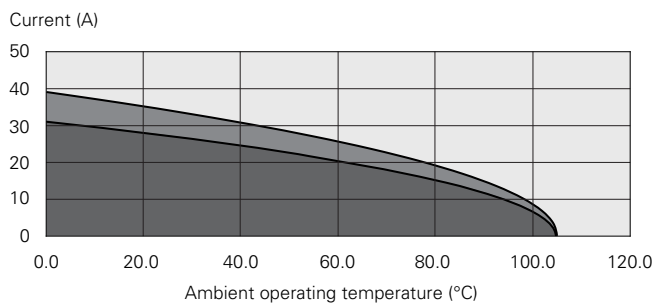
## Contacts #12

Contact style	Contact type	Cable acceptance		Part number		Wire Ø max		Insulator Ø max		
		AWG	inch <sup>2</sup>	mm <sup>2</sup>	Male	Female	inch	mm	inch	mm
Crimp contacts	Machined	20	0.020"	0.52	<b>82911457NA</b>	<b>82911456A</b>	0.034"	0.87	0.192"	4.90
		20	0.020"	0.52	<b>82911459NA</b>	<b>82911458A</b>	0.044"	1.12	0.192"	4.90
		18	0.031"	0.80	<b>82911461NA</b>	<b>82911460A</b>	0.055"	1.42	0.192"	4.90
		16	0.059"	1.48	<b>82911463NA</b>	<b>82911462A</b>	0.067"	1.72	0.192"	4.90
		14	0.098"	2.48	<b>82911465NA</b>	<b>82911464A</b>	0.087"	2.20	0.192"	4.90
		12	0.157"	4.00	<b>82911467NA</b>	<b>82911466A</b>	0.111"	2.82	0.192"	4.90

## Electrical characteristics

UL	CSA	IEC
UTSX 187G1 23A 600V with AWG12 wire	22A 600V with AWG12 wire	23A 250V 4kV3

## UTSX 187G1 derating curves



- Current use
- Limited use
- Not recommended use

### Test conditions

Contact used: machined contacts  
Wires used: 12 AWG

Derating curves based on continuous current application.

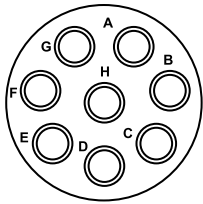
# Souriau UTSX series

128 (Shell size 12, 8x16)



## Connector part number

### UTSX 128



6 contacts  
10A/500V per  
UL 1977 with  
AWG16 wire

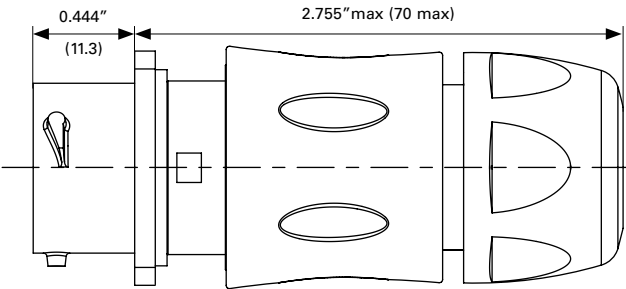
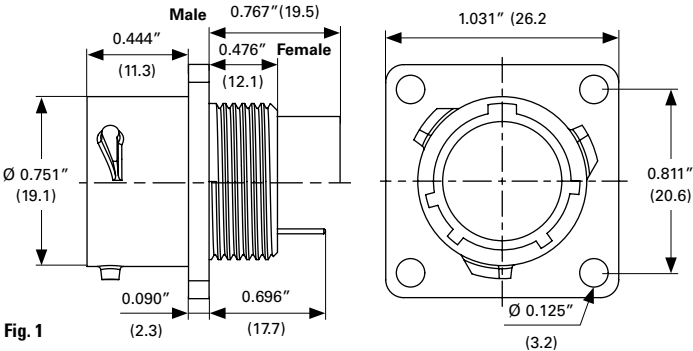
Contact type	Connector type	Backshell	Part number Male insert	Female insert
Crimp contacts supplied separately see <b>Page 100</b>	Square flange receptacle	Without (Fig. 1)	<b>UTSX0128P</b>	<b>UTSX0128S</b>
	Square flange receptacle	Cable gland (Fig. 2)	<b>UTSX0JC128P</b>	<b>UTSX0JC128S</b>
	Free hanging receptacle	Cable gland (Fig. 3)	<b>UTSX1JC128P</b>	<b>UTSX1JC128S</b>
	Free hanging receptacle	Cable gland and grommet (Fig. 3)	<b>UTSX1GJC128P</b>	–
	Plug	Without (Fig. 4)	<b>UTSX6128P</b>	<b>UTSX6128S</b>
	Plug	Cable gland (Fig. 5)	<b>UTSX6JC128P</b>	<b>UTSX6JC128S</b>
	Plug	Cable gland and grommet (Fig. 5)	–	<b>UTSX6GJC128S</b>
	Jam nut receptacle	Without (Fig. 6)	<b>UTSX7128P</b>	<b>UTSX7128S</b>
PCB contacts supplied separately see <b>Page 100</b>	Jam nut receptacle with stand off and without hold down clip	Without (Fig. 7)	<b>UTSX7128P</b>	<b>UTSX7128S</b>
	Jam nut receptacle with stand off and hold down clip	Without (Fig. 7)	<b>UTSX7128PSEK9</b>	–

## Overmolded cable assembly part numbers

Please contact us directly for overmolded cable assemblies.

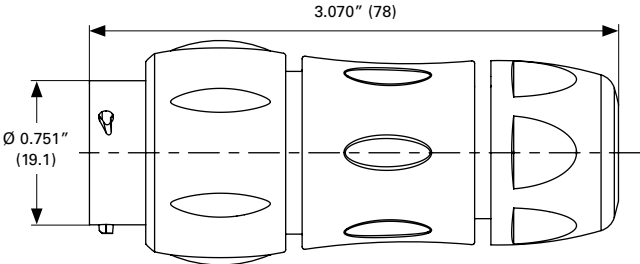
**Dimensions** (For mated connector lengths see Page 215)

**Square flange receptacle - UTSX0 and UTSX0JC**



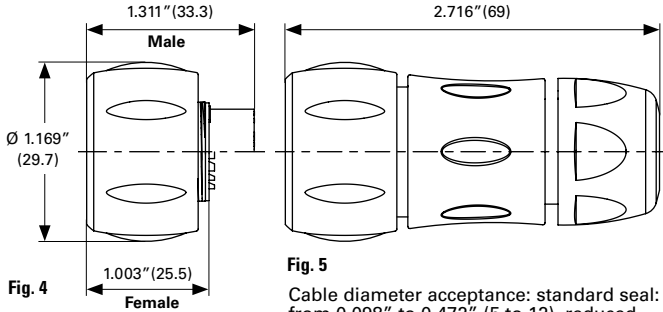
**Fig. 2**  
Cable diameter acceptance: standard seal: from 0.098" to 0.472" (5 to 12), reduced seal: from 0.118" to 0.354" (3 to 9)

**Free hanging - UTSX1JC and UTSX1GJC**



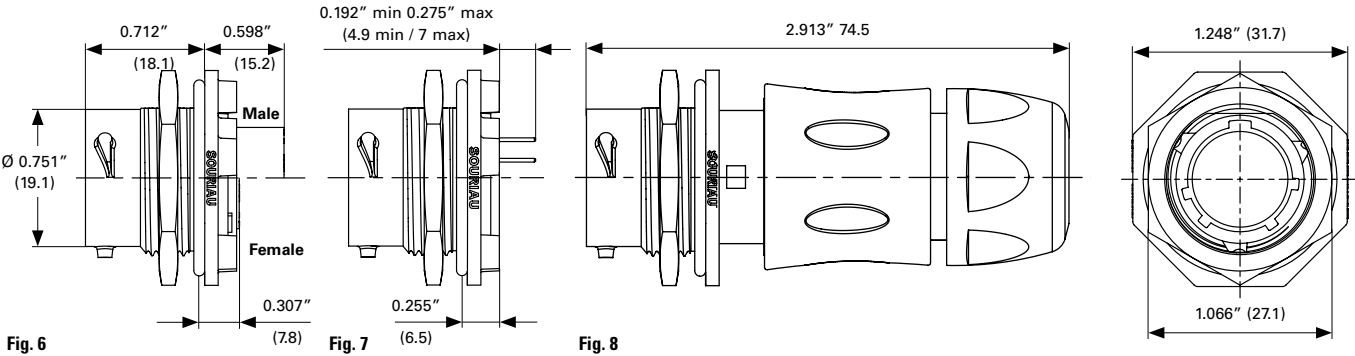
**Fig. 3**  
Cable diameter acceptance: standard seal: from 0.098" to 0.472" (5 to 12), reduced seal: from 0.118" to 0.354" (3 to 9)

**Plug - UTSX6, UTSX6JC and UTSX6GJC**



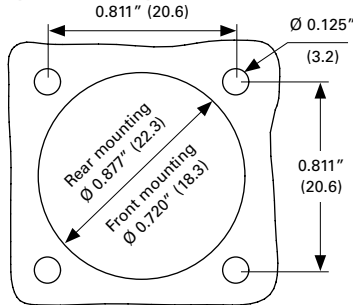
**Fig. 5**  
Cable diameter acceptance: standard seal: from 0.098" to 0.472" (5 to 12), reduced seal: from 0.118" to 0.354" (3 to 9)

**Jam nut receptacle UTSX7 and UTSX7GJC**

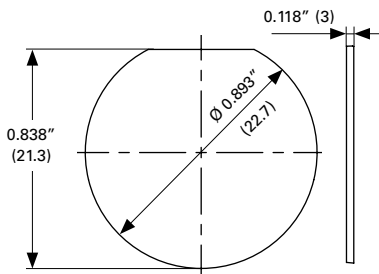


**Panel cut out**

**Square flange receptacle - UTSX0**



**Jam nut receptacle - UTSX7**



Dimensions in inches (millimeters)

# Souriau UTSX series

128 (Shell size 12, 8x16)

## Accessories

### Jam nut and free hanging receptacle sealing caps



Description	Part number
IP68	UTS12DCG
IP68 - Metal terminal	UTS12DCGR

### Plug sealing cap



Description	Part number
IP68	UTX612DCG

### Plastic protective cap



Part number receptacle cap	Part number plug cap
85005587A	85005596

### Gasket



Part number
UTFD13B

### Color coding rings



Description	Part number receptacles	Part number plugs
G for Green	UTS712CCRG	UTS612CCRG
Y for Yellow	UTS712CCRY	UTS612CCRY
R for Red	UTS712CCRR	UTS612CCRR

### Square flange sealing cap



Description	Part number
IP68 - Metal terminal	UTS12DCGE

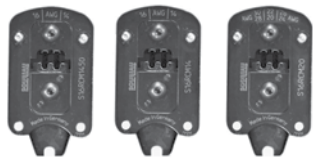
## Tooling

### Tooling



Description	Part number
Handle (without head)	<b>Shandles</b>
Box containing handle and several crimp tooling	<b>Toolkit</b>

### Crimp tooling (without Shandles)



Contact size	Contacts	Part number of Head
Standard contacts #16 Ø 0.062" (1.6)	RM/RC 28M1K <sup>(1)</sup>	S16RCM20*
	RM/RC 24M9K <sup>(1)</sup>	S16RCM20*
	RM/RC 20M13K <sup>(1)</sup>	S16RCM20*
	RM/RC 20M12K <sup>(1)</sup>	S16RCM20*
	RM/RC 16M23K <sup>(1)</sup>	S16RCM16*
	RM/RC 14M30K <sup>(1)</sup>	S16RCM14*
	SM/SC 24ML1TK6 <sup>(1)</sup>	S16SCM20*
	SM/SC 20ML1TK6 <sup>(1)</sup>	S16SCM20*
	SM/SC 16ML1TK6 <sup>(1)</sup>	S16SCML1*
	SM/SC 14ML1TK6 <sup>(1)</sup>	S16SCML1*
	SM/SC 16ML11TK6 <sup>(1)</sup>	S16SCML11*

(1) Example of plating, for other plating options see **Page 198**  
\* Heads to be used with handle PN: SHANGLES

### #16, #12 and #8 machined contacts



Description	Part number
Crimp tool	<b>M20S-1J</b>
Die casts and stop bushings	See <b>Page 210</b>

### Extraction tool #16



Description	Part number
<b>Fig. 1</b>	<b>RX2025GE1</b>
<b>Fig. 2 - Long endurance tool</b>	<b>RX2031J</b>

# Souriau UTSX series

128 (Shell size 12, 8x16)

## Contacts #16

Contact style	Contact type	Cable acceptance		Part number	Wire Ø max inch		Insulator Ø max		
		AWG	inch <sup>2</sup> mm <sup>2</sup>		Male	Female	mm	inch	mm
Crimp contacts	Machined	30-28	0.002"-0.003" 0.05-0.08	RM28M1K <sup>(1)</sup>	RC28M1K <sup>(1)</sup>	0.021"	0.55	0.039"	1.00
		26-24	0.005"-0.009" 0.13-0.25	RM24M9K <sup>(1)</sup>	RC24M9K <sup>(1)</sup>	0.031"	0.80	0.062"	1.58
		22-20	0.012"-0.020" 0.32-0.52	RM20M13K <sup>(1)</sup>	RC20M13K <sup>(1)</sup>	0.045"	1.15	0.070"	1.80
		22-20	0.012"-0.020" 0.32-0.52	RM20M12K <sup>(1)</sup>	RC20M12K <sup>(1)</sup>	0.045"	1.15	0.086"	2.20
		20-16	0.020"-0.059" 0.52-1.48	RM16M23K <sup>(1)</sup>	RC16M23K <sup>(1)</sup>	0.070"	1.80	0.125"	3.20
		16-14	0.059"-0.098" 1.48-2.48	RM14M30K <sup>(1)</sup>	RC14M30K <sup>(1)</sup>	0.090"	2.30	0.125"	3.20
	Stamped and formed reeled contacts See note <sup>(2)</sup> for loose piece	26-24	0.005"-0.009" 0.13-0.25	SM24M1TK6 <sup>(1)(2)</sup>	SC24M1TK6 <sup>(1)(2)</sup>	-	-	0.035"-0.062"	0.90-1.58
		22-20	0.012"-0.020" 0.32-0.52	SM20M1TK6 <sup>(1)(2)</sup>	SC20M1TK6 <sup>(1)(2)</sup>	-	-	0.047"-0.082"	1.20-2.10
		18-16	0.031"-0.059" 0.80-1.48	SM16M1TK6 <sup>(1)(2)</sup>	SC16M1TK6 <sup>(1)(2)</sup>	-	-	0.125"	3.20
		18-16	0.031"-0.059" 0.80-1.48	SM16M11TK6 <sup>(1)(2)</sup>	SC16M11TK6 <sup>(1)(2)</sup>	-	-	0.118"	3.00
	14	0.098"	2.48	SM14M1TK6 <sup>(1)(2)</sup>	SC14M1TK6 <sup>(1)(2)</sup>	-	-	0.125"	3.20
PCB	Machined <sup>(3)</sup>	-	-	RM20M12E83K <sup>(1)</sup>	RC20M12E84K <sup>(1)</sup>	-	-	-	-
Coaxial	Cable multipiece	see Page 202	-	RMDXK10D28	RCDXK1D28	-	-	-	-
	Cable monocrimp	see Page 202	-	RMDX60xxD28	RCDX60xxD28	-	-	-	-
	Twisted pair multipiece	see Page 202	-	RMDXK10D28 + yorx090	RCDXK1D28 + yorx090	-	-	-	-
	Twisted pair monocrimp	see Page 202	-	RMDX60xxD28	RCDX60xxD28	-	-	-	-
Fiber optic	POF contacts (Plastic optical fiber)	-	-	RMPOF1000	RCPOF1000B	-	-	-	-
Handsold	Loaded in the connector	14-18	0.098"-0.031" 2.48-0.80	-	-	-	-	-	-

(1) Example of plating, for other plating see Page 198

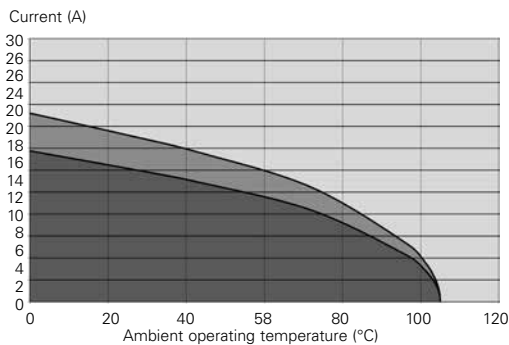
(2) Loose piece contact available by adding "L" after the "M" for the contact size and the plating. Example: SM20M1TK6 becomes SM20ML1TK6

(3) For dimensions see Page 205

## Electrical characteristics

UL	CSA	IEC
10A 500V with AWG16 wire	7A 500V with AWG16 wire	10A 80V 1.5kV 3

## UTSX 128 derating curves



- Current use
- Limited use
- Not recommended use

### Test conditions

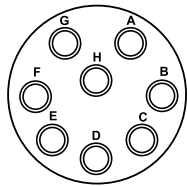
Contact used: machined contacts  
Wires used: 16 AWG

Derating curves based on continuous current application.



**Connector part number**

**UTSX 12E8/12D8**



8 contacts  
4.5A/250V per  
UL 1977 with  
AWG20 wire

Contact type	Connector type	Backshell	Part number Male insert	Female insert
Hand solder electrical contacts loaded see <b>Page 104</b>	Square flange receptacle	Without (Fig. 1)	<b>UTSX012E8P</b>	<b>UTSX012E8S</b>
	Plug	Without (Fig. 2)	<b>UTSX612E8P</b>	<b>UTSX612E8S</b>
	Plug	Cable gland (Fig. 3)	<b>UTSX6JC12E8P</b>	<b>UTSX6JC12E8S</b>
	Jam nut receptacle	Without (Fig. 4)	<b>UTSX712E8P</b>	<b>UTSX712E8S</b>
PCB contacts loaded see <b>Page 104</b>	Square flange receptacle	Without (Fig. 1)	<b>UTSX012D8P</b>	<b>UTSX012D8S</b>
	Jam nut receptacle with stand off and without hold down clip	Without (Fig. 5)	<b>UTSX712D8P</b>	<b>UTSX712D8S</b>
	Jam nut receptacle with stand off and with hold down clips	Without (Fig. 6)	<b>UTSX712D8P32</b>	<b>UTSX712D8S32</b>

For discrimination/keying methods see **Page 223**

Sealed unmated

**Overmolded cable assembly part numbers**

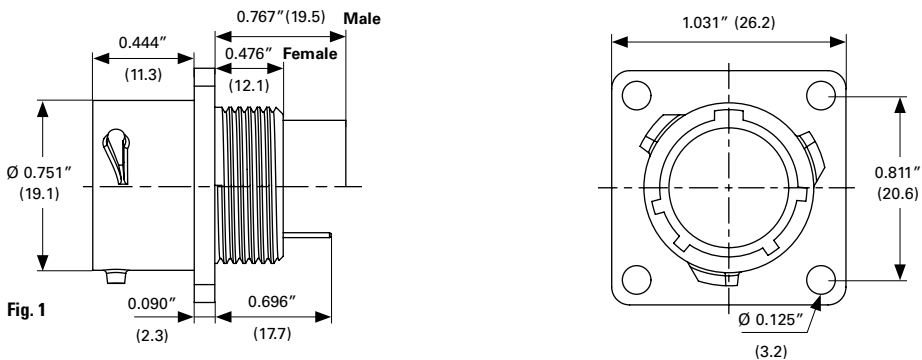
Please contact us directly for overmolded cable assemblies.

# Souriau UTSX series

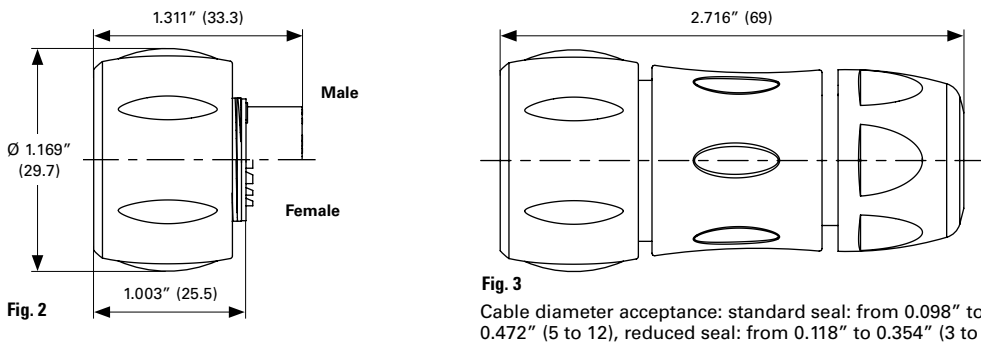
12E8/12D8 (Shell size 12, 8x20)

## Dimensions (For mated connector lengths see Page 215)

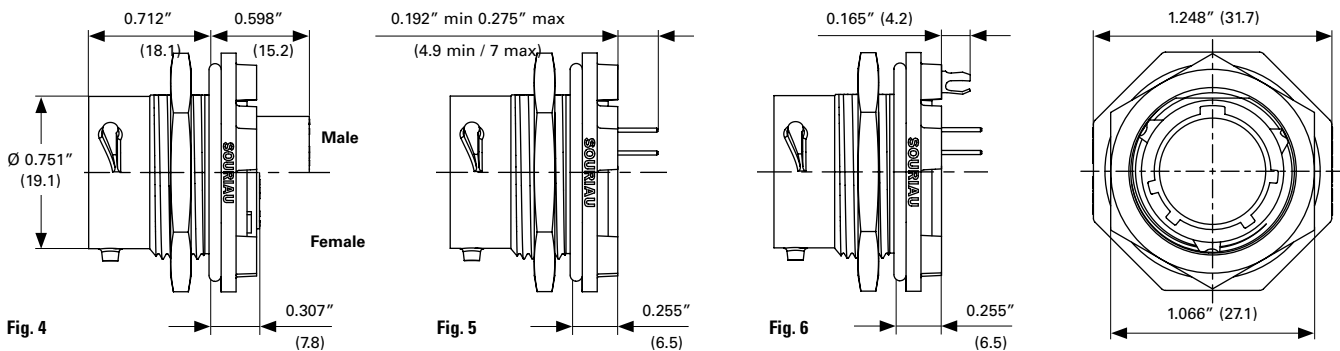
### Square flange receptacle - UTSX0



### Plug - UTSX6 and UTSX6JC

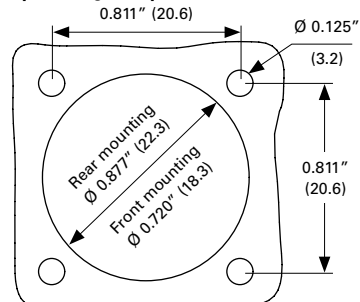


### Jam nut receptacle UTSX7

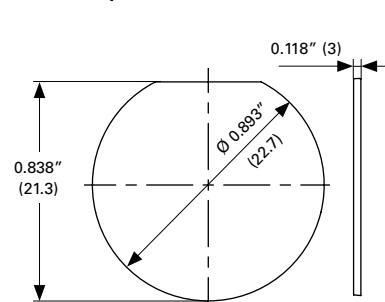


### Panel cut out

#### Square flange receptacle - UTSX0



#### Jam nut receptacle - UTSX7



Dimensions in inches (millimeters)

## Accessories

### Jam nut and free hanging receptacle sealing caps



Description	Part number
IP68	<b>UTS12DCG</b>
IP68 - Metal terminal	<b>UTS12DCGR</b>

### Plug sealing cap



Description	Part number
IP68	<b>UTX612DCG</b>

### Plastic protective cap



Part number receptacle cap	Part number plug cap
85005587A	85005596

### Gasket



Part number
<b>UTFD13B</b>

### Color coding rings



Description	Part number receptacles	Part number plugs
G for Green	<b>UTS712CCRG</b>	<b>UTS612CCRG</b>
Y for Yellow	<b>UTS712CCRY</b>	<b>UTS612CCRY</b>
R for Red	<b>UTS712CCRR</b>	<b>UTS612CCRR</b>

### Square flange sealing cap



Description	Part number
IP68 - Metal terminal	<b>UTS12DCGE</b>

# Souriau UTSX series

12E8/12D8 (Shell size 12, 8x20)

## Contacts #20

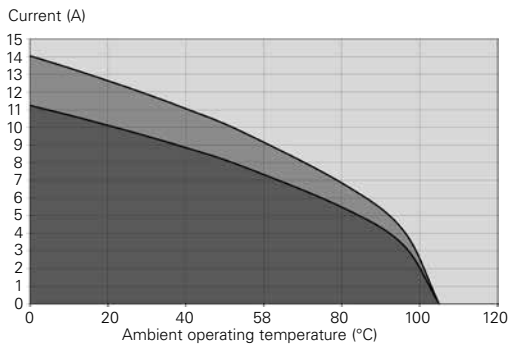
Contact type	Plating	Cable acceptance (AWG)	Cable acceptance		Wire stripping length	
			inch <sup>2</sup>	mm <sup>2</sup>	inch	mm
Hand solder Loaded in the connector	Min 0.4µ gold over 0.8µ Ni	20-18	0.020"-0.031"	0.32-0.80	0.149"	3.8
PCB Machined <sup>(1)</sup>	Min 0.4µ gold over 0.8µ Ni	–	–	–	–	–

(1) For dimensions see **Page 205**

## Electrical characteristics

UL	CSA	IEC
4.5A 250V with AWG20 wire	4.5A 250V with AWG20 wire	6A 32V 1.5kV 3

## UTSX 12E8/12D8 derating curves



- Current use
- Limited use
- Not recommended use

### Test conditions

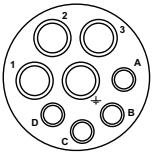
Contact used: machined contacts  
Wires used: 20 AWG

Derating curves based on continuous current application.



## Connector part number

### UTSX 148



8 contacts 25A 600V  
per UL1977 with  
AWG14 wire 5A  
600V per UL1977  
AWG20 wire  
(qualification pending)

Contact type	Connector type	Backshell	Part number Male insert	Female insert
Crimp contacts supplied separately see <b>Page 110</b>	Square flange receptacle	Without (Fig. 1)	<b>UTSX0148P</b>	<b>UTSX0148S</b>
	Square flange receptacle	Cable gland (Fig. 2)	<b>UTSX0JC148P</b>	<b>UTSX0JC148S</b>
	Free hanging receptacle	Cable gland (Fig. 3)	<b>UTSX1JC148P</b>	<b>UTSX1JC148S</b>
	Plug	Without (Fig. 4)	<b>UTSX6148P</b>	<b>UTSX6148S</b>
	Plug	Cable gland (Fig. 5)	<b>UTSX6JC148P</b>	<b>UTSX6JC148S</b>
	Jam nut receptacle	Without (Fig. 6)	<b>UTSX7148P</b>	<b>UTSX7148S</b>

# Souriau UTSX series

148 (Shell size 14, 4x#16, 4x#12)

## Dimensions (For mated connector lengths see Page 215)

### Square flange receptacle - UTSX0 and UTSX0JC

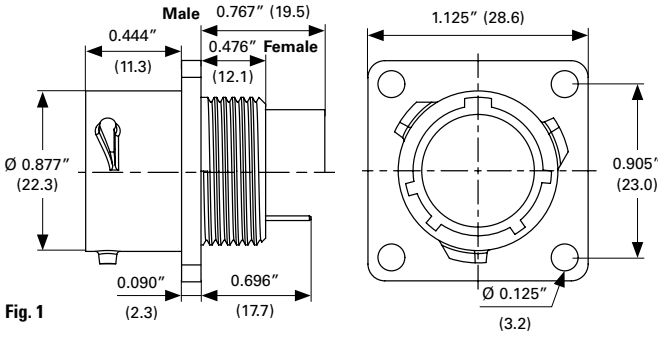


Fig. 1

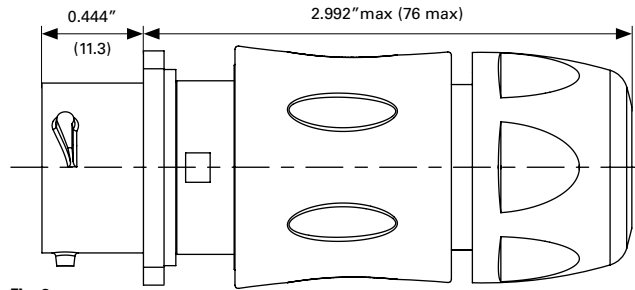


Fig. 2

Cable diameter acceptance: standard seal: from 0.275" to 0.551" (7 to 14), reduced seal: from 0.196" to 0.472" (5 to 12)

### Free hanging - UTSX1JC

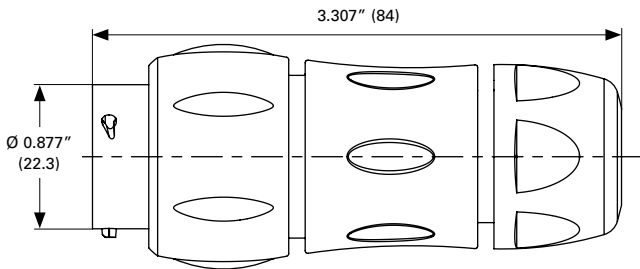


Fig. 3

Cable diameter acceptance: standard seal: from 0.275" to 0.551" (7 to 14), reduced seal: from 0.196" to 0.472" (5 to 12)

### Plug - UTSX6 and UTSX6JC

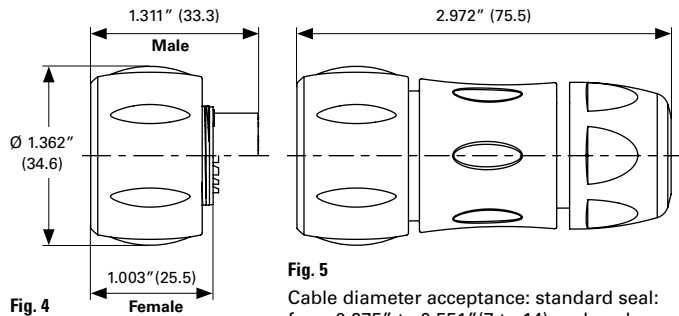


Fig. 4

Fig. 5

Cable diameter acceptance: standard seal: from 0.275" to 0.551" (7 to 14), reduced seal: from 0.196" to 0.472" (5 to 12)

### Jam nut receptacle UTSX7

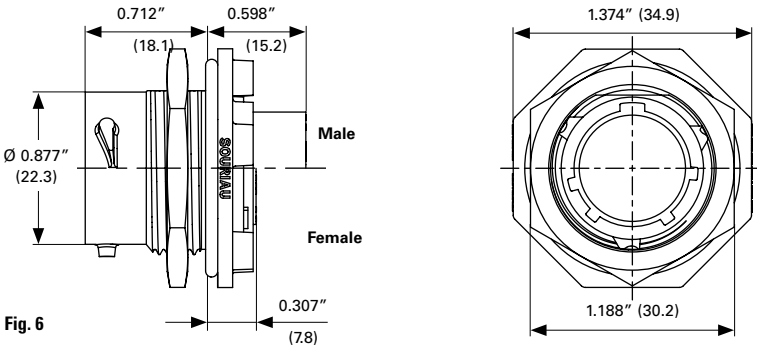
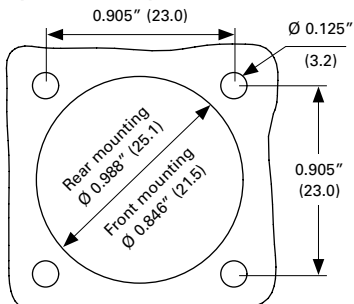


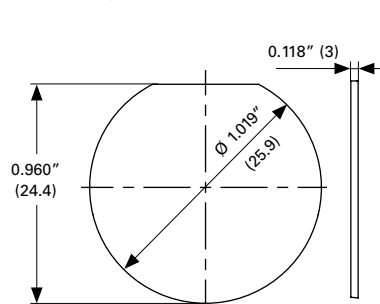
Fig. 6

### Panel cut out

#### Square flange receptacle - UTSX0



#### Jam nut receptacle - UTSX7



Dimensions in inches (millimeters)

## Accessories

### Jam nut and free hanging receptacle sealing caps



Description	Part number
IP68	UTS14DCG
IP68 - Metal terminal	UTS14DCGR

### Square flange sealing cap



Description	Part number
IP68 - Metal terminal	UTS14DCGE

### Plug sealing cap



Description	Part number
IP68	UTX614DCG

### Plastic protective cap



Part number receptacle cap	Part number plug cap
85005588A	85005597

### Gasket



Part number
UTFD14B

### Color coding rings



Description	Part number receptacles	Part number plugs
G for Green	UTS714CCRG	UTS614CCRG
Y for Yellow	UTS714CCRY	UTS614CCRY
R for Red	UTS714CCRR	UTS614CCRR

# Souriau UTSX series

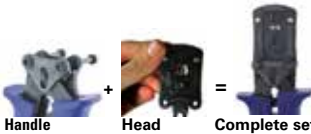
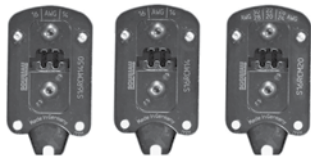
148 (Shell size 14, 4x#16, 4x#12)

## Tooling

### #16 machined or stamped contacts



### Crimp tooling (without Shandles)



### Extraction tool #16



### Crimp tooling #12



### #16, #12 and #8 machined contacts



### Extraction tool #20



Description	Part number
Handle (without head)	<b>Shandles</b>
Box containing handle and several crimp tooling	<b>Toolkit</b>

Contact size	Contacts	Part number of Head
Standard contacts #16 Ø 0.062" (1.6)	<b>RM/RC 28M1K<sup>(1)</sup></b>	<b>S16RCM20*</b>
	<b>RM/RC 24M9K<sup>(1)</sup></b>	<b>S16RCM20*</b>
	<b>RM/RC 20M13K<sup>(1)</sup></b>	<b>S16RCM20*</b>
	<b>RM/RC 20M12K<sup>(1)</sup></b>	<b>S16RCM20*</b>
	<b>RM/RC 16M23K<sup>(1)</sup></b>	<b>S16RCM16*</b>
	<b>RM/RC 14M30K<sup>(1)</sup></b>	<b>S16RCM14*</b>
	<b>SM/SC 24ML1TK6<sup>(1)</sup></b>	<b>S16SCM20*</b>
	<b>SM/SC 20ML1TK6<sup>(1)</sup></b>	<b>S16SCM20*</b>
	<b>SM/SC 16ML1TK6<sup>(1)</sup></b>	<b>S16SCML1*</b>
	<b>SM/SC 14ML1TK6<sup>(1)</sup></b>	<b>S16SCML1*</b>
	<b>SM/SC 16ML11TK6<sup>(1)</sup></b>	<b>S16SCML11*</b>

(1) Example of plating, for other plating options see **Page 198**  
\* Heads to be used with handle PN: SHANGLES

Description	Part number
<b>Fig. 1</b>	<b>RX2025GE1</b>
<b>Fig. 2 - Long endurance tool</b>	<b>RX2031J</b>

Contact size	Part number hand tool	Part number positioner + locator setting
Standard contacts #12 Ø 0.094" (2.4)	M317	VGE10077A

Description	Part number
Crimp tool	<b>M20S-1J</b>
Die casts and stop bushings	See <b>Page 210</b>

Description	Part number
Contacts #12 Ø 0.094" (2.4)	51060210924

Dimensions in inches (millimeters)

## Contacts #16

Contact style	Contact type	Cable acceptance		Part number	Wire Ø max	Insulator Ø max			
		AWG	inch <sup>2</sup>			mm <sup>2</sup>	inch	mm	
Crimp contacts	Machined	30-28	0.002"-0.003"	0.05-0.08	<b>RM28M1K<sup>(1)</sup></b>	<b>RC28M1K<sup>(1)</sup></b>	0.021" 0.55	0.039" 1.00	
	Machined	26-24	0.005"-0.009"	0.13-0.25	<b>RM24M9K<sup>(1)</sup></b>	<b>RC24M9K<sup>(1)</sup></b>	0.031" 0.80	0.062" 1.58	
	Machined	22-20	0.012"-0.020"	0.32-0.52	<b>RM20M13K<sup>(1)</sup></b>	<b>RC20M13K<sup>(1)</sup></b>	0.045" 1.15	0.070" 1.80	
	Machined	22-20	0.012"-0.020"	0.32-0.52	<b>RM20M12K<sup>(1)</sup></b>	<b>RC20M12K<sup>(1)</sup></b>	0.045" 1.15	0.086" 2.20	
	Machined	20-16	0.020"-0.059"	0.52-1.48	<b>RM16M23K<sup>(1)</sup></b>	<b>RC16M23K<sup>(1)</sup></b>	0.070" 1.80	0.125" 3.20	
	Machined	16-14	0.059"-0.098"	1.48-2.48	<b>RM14M30K<sup>(1)</sup></b>	<b>RC14M30K<sup>(1)</sup></b>	0.090" 2.30	0.125" 3.20	
			26-24	0.005"-0.009"	0.13-0.25	<b>SM24M1TK6<sup>(1)(2)</sup></b>	<b>SC24M1TK6<sup>(1)(2)</sup></b>	– –	0.035"-0.062" 0.90-1.58
	Stamped and formed reeled contacts See note <sup>(2)</sup> for loose piece		22-20	0.012"-0.020"	0.32-0.52	<b>SM20M1TK6<sup>(1)(2)</sup></b>	<b>SC20M1TK6<sup>(1)(2)</sup></b>	– –	0.047"-0.082" 1.20-2.10
			18-16	0.031"-0.059"	0.80-1.48	<b>SM16M1TK6<sup>(1)(2)</sup></b>	<b>SC16M1TK6<sup>(1)(2)</sup></b>	– –	0.125" 3.20
			18-16	0.031"-0.059"	0.80-1.48	<b>SM16M11TK6<sup>(1)(2)</sup></b>	<b>SC16M11TK6<sup>(1)(2)</sup></b>	– –	0.118" 3.00
		14	0.098"	2.48	<b>SM14M1TK6<sup>(1)(2)</sup></b>	<b>SC14M1TK6<sup>(1)(2)</sup></b>	– –	0.125" 3.20	
PCB	Machined <sup>(3)</sup>	–			<b>RM20M12E83K<sup>(1)</sup></b>	<b>RC20M12E84K<sup>(1)</sup></b>	– –	– –	
Coaxial	Cable multipiece	see Page 202			<b>RMDXK10D28</b>	<b>RCDXK1D28</b>	– –	– –	
	Cable monocrimp	see Page 202			<b>RMDX60xxD28</b>	<b>RCDX60xxD28</b>	– –	– –	
	Twisted pair multipiece	see Page 202			<b>RMDXK10D28 + yorx090</b>	<b>RCDXK1D28 + yorx090</b>	– –	– –	
	Twisted pair monocrimp	see Page 202			<b>RMDX60xxD28</b>	<b>RCDX60xxD28</b>	– –	– –	

(1) Example of plating, for other plating see Page 198

(2) Loose piece contact available by adding "L" after the "M" for the contact size and the plating. Example: SM20M1TK6 becomes SM20ML1TK6

## Contacts #12

Contact style	Contact type	Cable acceptance		Part number	Wire Ø max	Insulator Ø max		
		AWG	inch <sup>2</sup>			mm <sup>2</sup>	inch	mm
Crimp contacts	Machined	20	–	–	<b>82911457NA<sup>(1)</sup></b>	<b>82911456A<sup>(1)</sup></b>	0.027" 0.7	0.192" 4.90
		20	–	–	<b>82911459NA<sup>(1)</sup></b>	<b>82911458A<sup>(1)</sup></b>	0.044" 1.12	0.192" 4.90
		18	–	–	<b>82911461NA<sup>(1)</sup></b>	<b>82911460A<sup>(1)</sup></b>	0.055" 1.42	0.192" 4.90
		16	–	–	<b>82911463NA<sub>v</sub></b>	<b>82911462A<sup>(1)</sup></b>	0.067" 1.72	0.192" 4.90
		14	–	–	<b>82911465NA<sup>(1)</sup></b>	<b>82911464A<sup>(1)</sup></b>	0.087" 2.20	0.192" 4.90
		12	–	–	<b>82911467NA<sup>(1)</sup></b>	<b>82911466A<sup>(1)</sup></b>	0.111" 2.82	0.192" 4.90

(1): Example of plating, for other plating see Page 198

# Souriau UTSX series

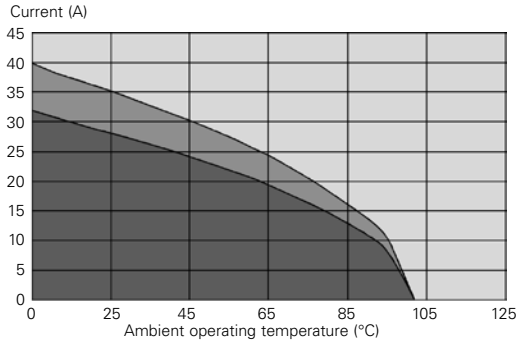
148 (Shell size 14, 4x#16, 4x#12)

## Electrical characteristics

UL	CSA	IEC
25A 600V with AWG14*	17A 600V with AWG14*	17A 230V 1.5kV 3
5A 600V with AWG20*	5A 600V with AWG20*	

\* qualification pending

## UTSX 148 derating curves

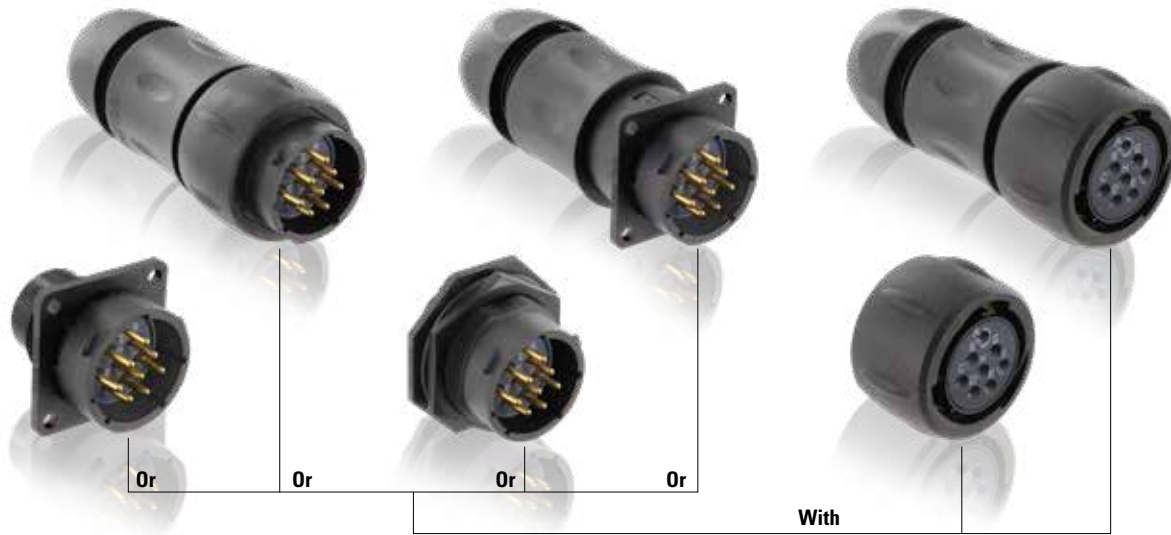


- Current use
- Limited use
- Not recommended use

### Test conditions

Contact used: machined contacts  
Wires used: 16 AWG

Derating curves based on continuous current application.



## Connector part number

### UTSX 16E8 / 16D8



8 contacts  
13A/500V per UL 1977  
with AWG16 wire

Contact type	Connector type	Backshell	Part number Male insert	Female insert
Hand solder electrical contacts loaded see <b>Page 114</b>	Square flange receptacle	Without (Fig. 1)	<b>UTSX016E8P</b>	<b>UTSX016E8S</b>
	Plug	Without (Fig. 4)	<b>UTSX616E8P</b>	<b>UTSX616E8S</b>
	Plug	Cable gland (Fig. 5)	<b>UTSX6JC16E8P</b>	<b>UTSX6JC16E8S</b>
	Jam nut receptacle	Without (Fig. 6)	<b>UTSX716E8P</b>	<b>UTSX716E8S</b>
	Jam nut receptacle with stand off and with hold down clips	Without (Fig. 8)	<b>UTSX716E8P32</b>	<b>UTSX716E8S32</b>
PCB contacts loaded see <b>Page 114</b>	Square flange receptacle	Without (Fig. 3)	<b>UTSX016D8P</b>	<b>UTSX016D8S</b>
	Jam nut receptacle with stand off and without hold down clip	Without (Fig.7)	<b>UTSX716D8P</b>	<b>UTSX716D8S</b>
	Jam nut receptacle with stand off and with hold down clips	Without (Fig. 8)	<b>UTSX716D8P32</b>	<b>UTSX716D8S32</b>

For discrimination/keying methods see **Page 223**

Sealed unmatd

## Overmolded cable assembly part numbers

Please contact us directly for overmolded cable assemblies.

# Souriau UTSX series

16E8/16D8 (Shell size 16, 8 x #16)

## Dimensions (For mated connector lengths see Page 215)

### Square flange receptacle - UTSX0 and UTSX0JC

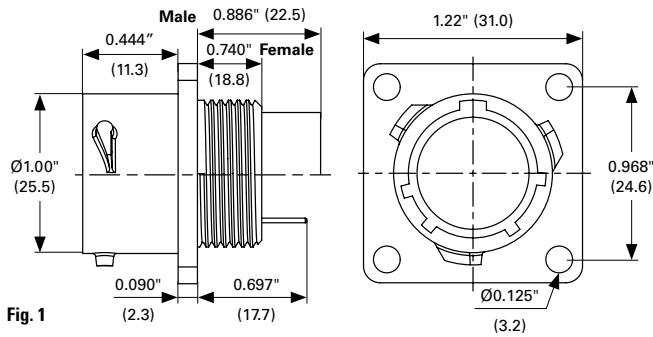


Fig. 1

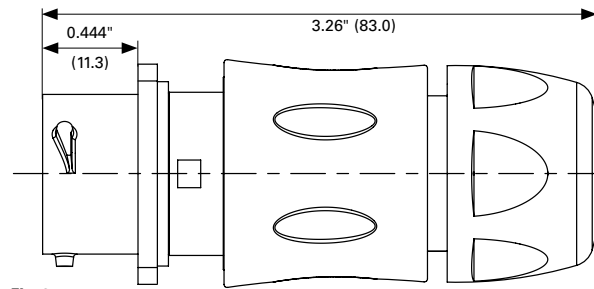


Fig. 2

Cable diameter acceptance: standard seal: from 0.472" to 0.630" (12 to 16), reduced seal: from 0.354" to 0.472" (9 to 12).

### Free hanging - UTSX1JC and UTSXGJC

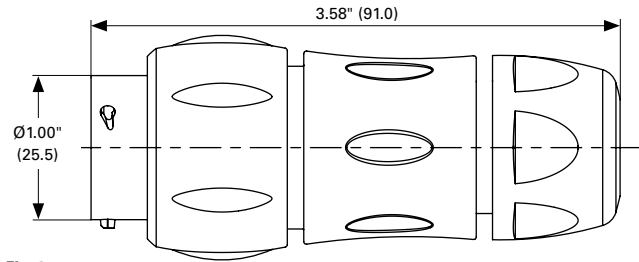


Fig. 3

Cable diameter acceptance: standard seal: from 0.472" to 0.630" (12 to 16), reduced seal: from 0.354" to 0.472" (9 to 12).

### Plug - UTSX6 and UTSX6JC

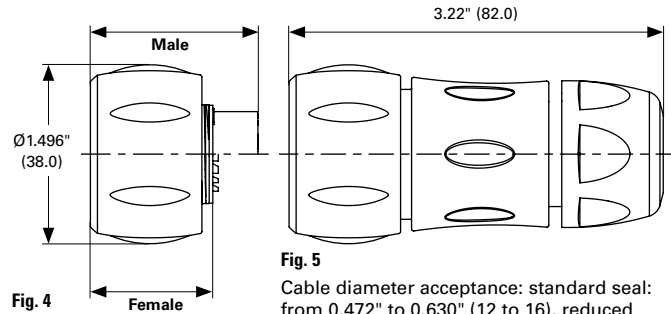


Fig. 4

Fig. 5

Cable diameter acceptance: standard seal: from 0.472" to 0.630" (12 to 16), reduced seal: from 0.354" to 0.472" (9 to 12).

### Jam nut receptacle UTSX7

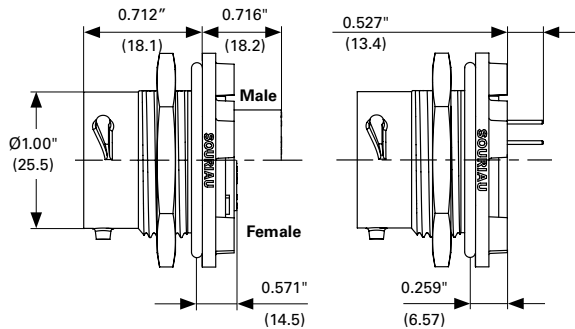


Fig. 6

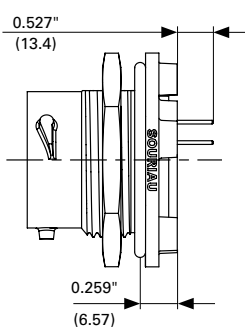


Fig. 7

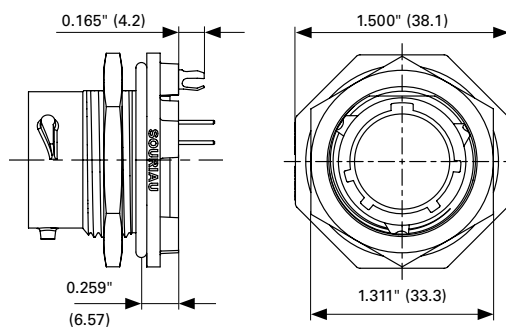
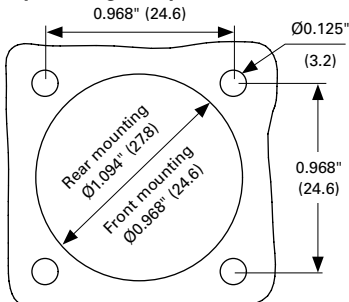


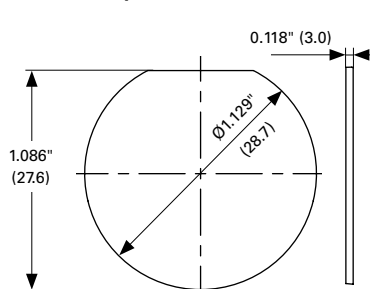
Fig. 8

### Panel cut out

#### Square flange receptacle - UTSX0



#### Jam nut receptacle - UTSX7



Dimensions in inches (millimeters)

## Accessories

### Jam nut and free hanging receptacle sealing caps



Description	Part number
IP68	UTS16DCG
IP68 - Metal terminal	UTS16DCGR

### Square flange sealing cap



Description	Part number
IP68 - Metal terminal	UTS16DCGE

### Plug sealing cap



Description	Part number
IP68	UTS616DCG

### Plastic protective cap



Part number receptacle cap	Part number plug cap
85005589A	85005598

### Gasket



Part number
UTFD15B

### Color coding rings



Description	Part number receptacles	Part number plugs
G for Green	UTS716CCRG	UTS616CCRG
Y for Yellow	UTS716CCRY	UTS616CCRY
R for Red	UTS716CCRR	UTS616CCRR

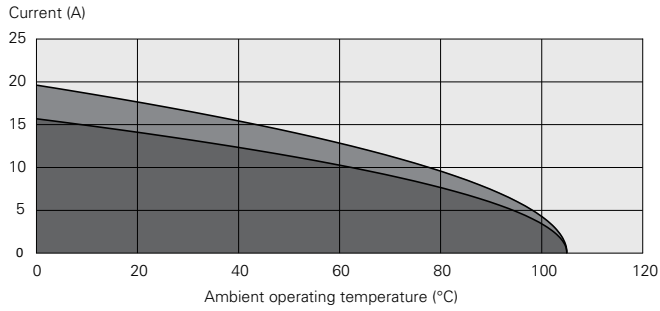
# Souriau UTSX series

16E8/16D8 (Shell size 16, 8 x #16)

## Electrical characteristics

UL	CSA	IEC
UTSX 16E8/16D8 13A 500V with AWG16 wire	10A 500V with AWG16 wire	13A 80V 3kV 3

## UTSX 16E8/16D8 derating curves

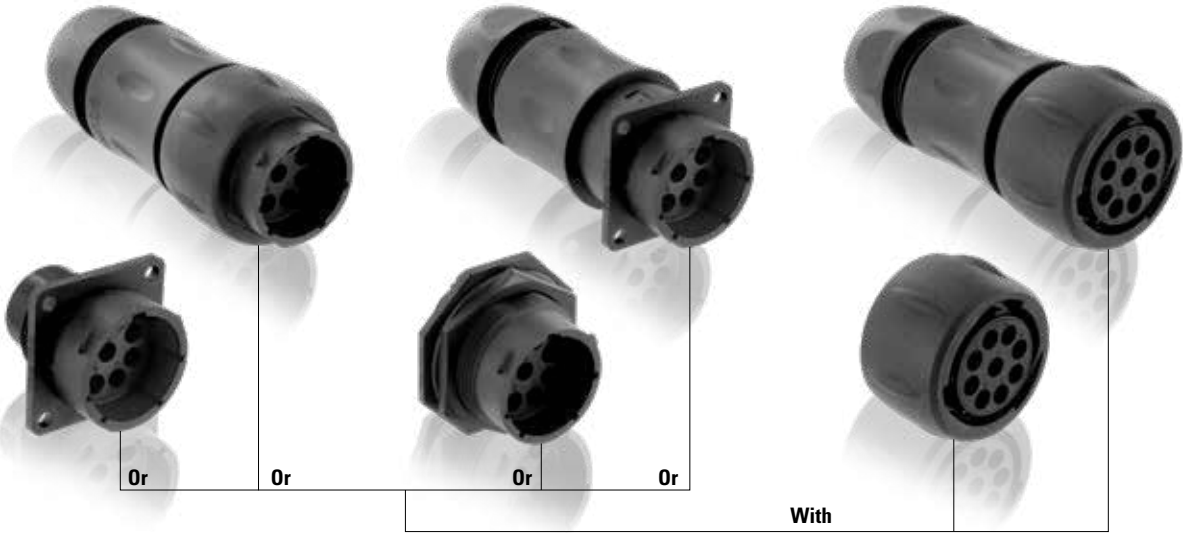


- Current use
- Limited use
- Not recommended use

### Test conditions

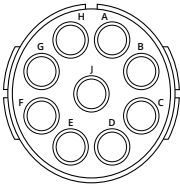
Contact used: machined contacts  
Wires used: 16 AWG

Derating curves based on continuous current application.



**Connector part number**

**UTSX 169**



9 contacts  
23A/600V per UL 1977  
with AWG16 wire

Contact type	Connector type	Backshell	Part number Male insert	Female insert
Crimp contacts supplied separately see <b>Page 118</b>	Square flange receptacle	Without (Fig. 1)	<b>UTSX0169P</b>	<b>UTSX0169S</b>
	Square flange receptacle	Cable gland (Fig. 2)	<b>UTSX0JC169P</b>	<b>UTSX0JC169S</b>
	Free hanging receptacle	Cable gland (Fig. 3)	<b>UTSX1JC169P</b>	<b>UTSX1JC169S</b>
	Plug	Without (Fig. 4)	<b>UTSX6169P</b>	<b>UTSX6169S</b>
	Plug	Cable gland (Fig. 5)	<b>UTSX6JC169P</b>	<b>UTSX6JC169S</b>
	Jam nut receptacle	Without (Fig. 6)	<b>UTSX7169P</b>	<b>UTSX7169S</b>
	Jam nut receptacle with stand off and with hold down clips	Without (Fig. 8)	<b>UTSX7169P32</b>	<b>UTSX7169S32</b>
PCB contacts supplied separately see <b>Page 118</b>	Square flange receptacle	Without (Fig. 1)	<b>UTSX0169P</b>	<b>UTSX0169S</b>
	Jam nut receptacle	Without (Fig. 7)	<b>UTSX7169P</b>	<b>UTSX7169S</b>

For discrimination/keying methods see **Page 223**

**Overmolded cable assembly part numbers**

Please contact us directly for overmolded cable assemblies.

# Souriau UTSX series

169 (Shell size 16, 9 x #12)

## Dimensions (For mated connector lengths see Page 215)

### Square flange receptacle - UTSX0 and UTSX0JC

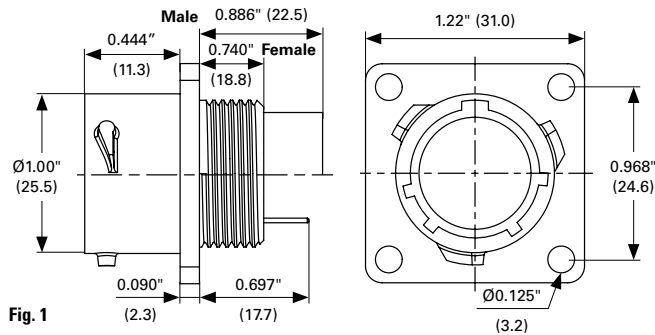


Fig. 1

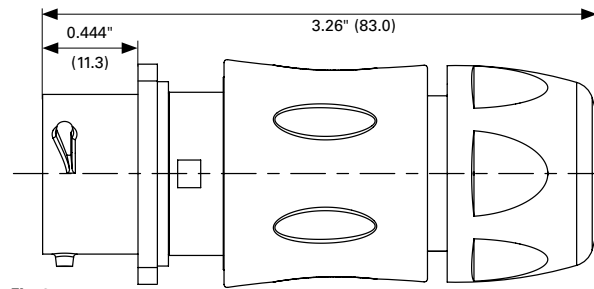


Fig. 2

Cable diameter acceptance: standard seal: from 0.472" to 0.630" (12 to 16), reduced seal: from 0.354" to 0.472" (9 to 12).

### Free hanging - UTSX1JC and UTSXGJC

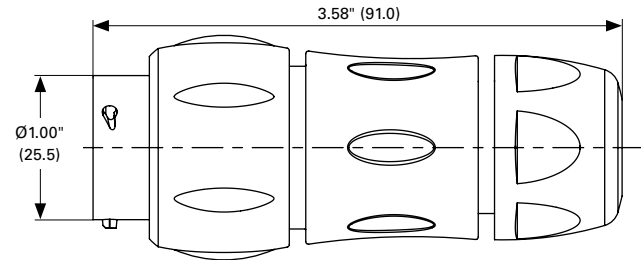


Fig. 3

Cable diameter acceptance: standard seal: from 0.472" to 0.630" (12 to 16), reduced seal: from 0.354" to 0.472" (9 to 12).

### Plug - UTSX6 and UTSX6JC

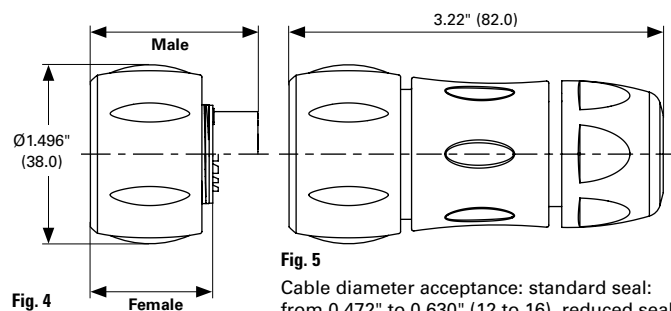


Fig. 4

Fig. 5

Cable diameter acceptance: standard seal: from 0.472" to 0.630" (12 to 16), reduced seal: from 0.354" to 0.472" (9 to 12).

### Jam nut receptacle UTSX7

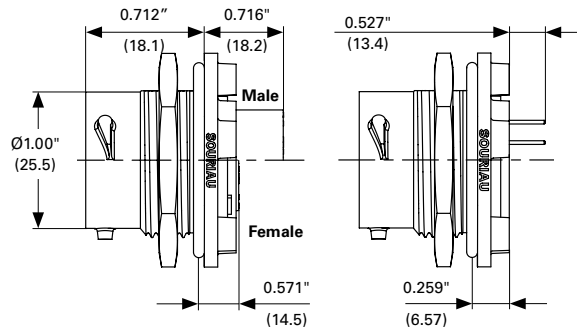


Fig. 6

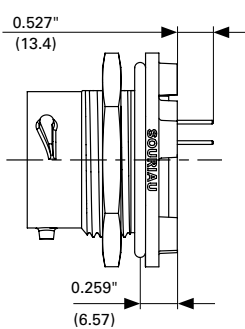


Fig. 7

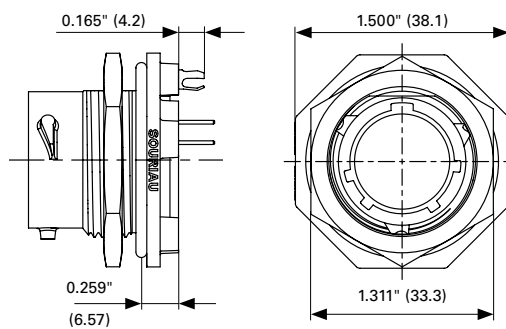
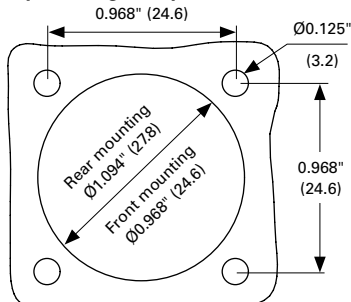


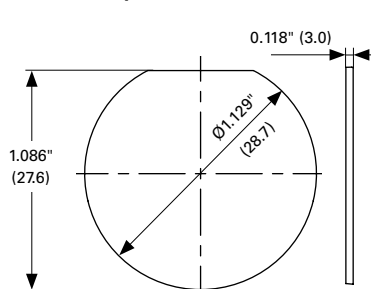
Fig. 8

### Panel cut out

#### Square flange receptacle - UTSX0



#### Jam nut receptacle - UTSX7



Dimensions in inches (millimeters)

**Accessories**

**Jam nut and free hanging receptacle sealing caps**



Description	Part number
IP68	UTS16DCG
IP68 - Metal terminal	UTS16DCGR

**Square flange sealing cap**



Description	Part number
IP68 - Metal terminal	UTS16DCGE

**Plug sealing cap**



Description	Part number
IP68	UTS616DCG

**Plastic protective cap**



Part number receptacle cap	Part number plug cap
85005589A	85005598

**Gasket**



Part number
UTFD15B

**Color coding rings**



Description	Part number receptacles	Part number plugs
G for Green	UTS716CCRG	UTS616CCRG
Y for Yellow	UTS716CCRY	UTS616CCRY
R for Red	UTS716CCRR	UTS616CCRR

**Tooling**

**Crimp tooling #12**



Contact size	Part number hand tool	Part number positioner + locator setting
Standard contacts #12 Ø 0.094" (2.4)	M317	VGE10077A

# Souriau UTSX series

169 (Shell size 16, 9 x #12)

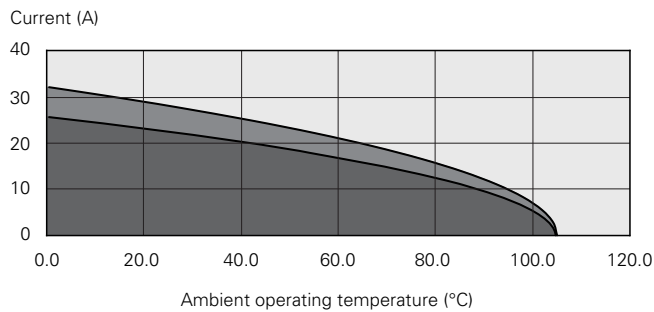
## Contacts #12

Contact style	Contact type	Cable acceptance		Part number	Wire Ø max		Insulator Ø max			
		AWG	inch <sup>2</sup>		mm <sup>2</sup>	inch	mm	inch	mm	
Crimp contacts	Machined	20	0.020"	0.52	<b>82911457NA</b>	<b>82911456A</b>	0.034"	0.87	0.192"	4.90
		20	0.020"	0.52	<b>82911459NA</b>	<b>82911458A</b>	0.044"	1.12	0.192"	4.90
		18	0.031"	0.80	<b>82911461NA</b>	<b>82911460A</b>	0.055"	1.42	0.192"	4.90
		16	0.059"	1.48	<b>82911463NA</b>	<b>82911462A</b>	0.067"	1.72	0.192"	4.90
		14	0.098"	2.48	<b>82911465NA</b>	<b>82911464A</b>	0.087"	2.20	0.192"	4.90
		12	0.157"	4.00	<b>82911467NA</b>	<b>82911466A</b>	0.111"	2.82	0.192"	4.90

## Electrical characteristics

UL	CSA	IEC
UTSX 169 23A 600V with AWG12	17A 600V with AWG12	22A 160V 2.5kV 3

## UTSX 169 derating curves



- Current use
- Limited use
- Not recommended use

### Test conditions

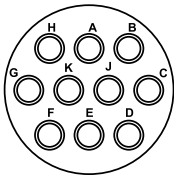
Contact used: machined contacts  
Wires used: 12 AWG

Derating curves based on continuous current application.



## Connector part number

### UTSX 1210 - 12E10/12D10



10 contacts  
4.5A/250V  
per UL 1977  
with AWG20 wire

Contact type	Connector type	Backshell	Part number Male insert	Female insert
Crimp contacts supplied separately see <b>Page 123</b>	Square flange receptacle	Without (Fig. 1)	<b>UTSX01210P</b>	<b>UTSX01210S</b>
	Square flange receptacle	Cable gland (Fig. 2)	<b>UTSX0JC1210P</b>	<b>UTSX0JC1210S</b>
	Free hanging receptacle	Cable gland (Fig. 3)	<b>UTSX1JC1210P</b>	<b>UTSX1JC1210S</b>
	Plug	Without (Fig. 4)	<b>UTSX61210P</b>	<b>UTSX61210S</b>
	Plug	Cable gland (Fig. 5)	<b>UTSX6JC1210P</b>	<b>UTSX6JC1210S</b>
	Jam nut receptacle	Without (Fig. 6)	<b>UTSX71210P</b>	<b>UTSX71210S</b>
Handsolder electrical contacts loaded see <b>Page 123</b>	Square flange receptacle	Without (Fig. 1)	<b>UTSX012E10P</b>	<b>UTSX012E10S</b>
	Plug	Without (Fig. 4)	<b>UTSX612E10P</b>	<b>UTSX612E10S</b>
	Plug	Cable gland (Fig. 5)	<b>UTSX6JC12E10P</b>	<b>UTSX6JC12E10S</b>
	Jam nut receptacle	Without (Fig. 6)	<b>UTSX712E10P</b>	<b>UTSX712E10S</b>
PCB contacts loaded	Square flange receptacle	Without (Fig. 3)	<b>UTSX012D10P</b>	<b>UTSX012D10S</b>
	Jam nut receptacle with stand off and without hold down clip	Without (Fig.7)	<b>UTSX712D10P</b>	<b>UTSX712D10S</b>
	Jam nut receptacle with stand off and with hold down clips	Without (Fig. 8)	<b>UTSX712D10P32</b>	<b>UTSX712D10S32</b>

For discrimination/keying methods see **Page 223**

Sealed unmated

## Overmolded cable assembly part numbers

Please contact us directly for overmolded cable assemblies.

# Souriau UTSX series

1210 - 12E10/12D10 (Shell size 12, 10x#20)

## Dimensions (For mated connector lengths see Page 215)

### Square flange receptacle - UTSX0 and UTSX0JC

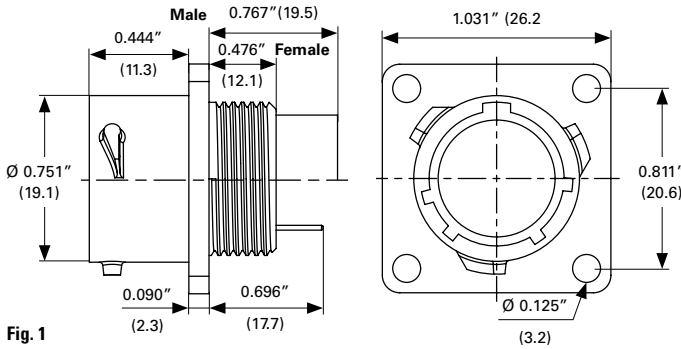


Fig. 1

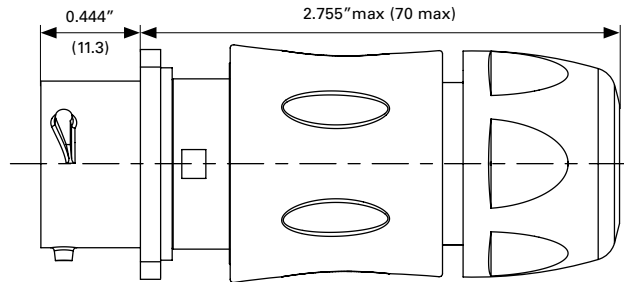


Fig. 2

Cable diameter acceptance: standard seal: from 0.098" to 0.472" (5 to 12), reduced seal: from 0.118" to 0.354" (3 to 9)

### Free hanging - UTSX1JC

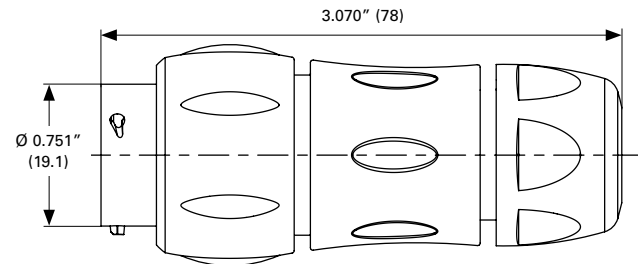


Fig. 3

Cable diameter acceptance: standard seal: from 0.098" to 0.472" (5 to 12), reduced seal: from 0.118" to 0.354" (3 to 9)

### Plug - UTSX6 and UTSX6JC

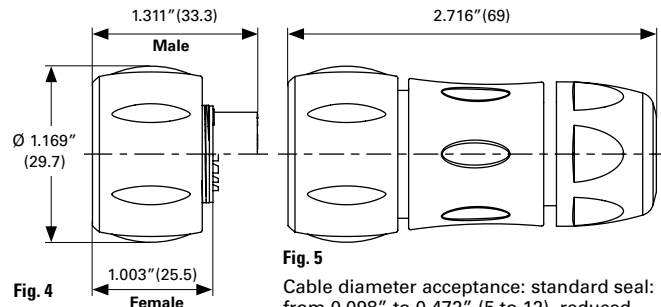


Fig. 4

Fig. 5

Cable diameter acceptance: standard seal: from 0.098" to 0.472" (5 to 12), reduced seal: from 0.118" to 0.354" (3 to 9)

### Jam nut receptacle UTSX7

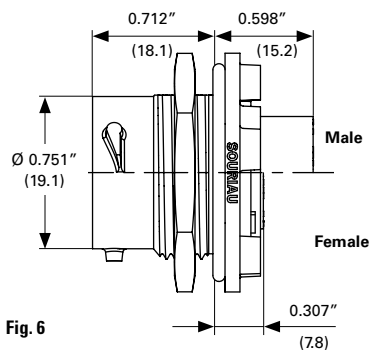


Fig. 6

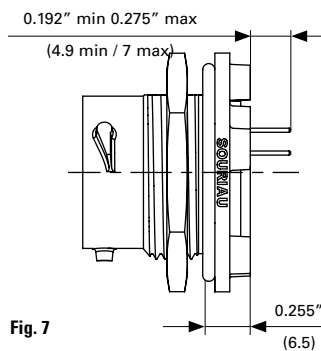


Fig. 7

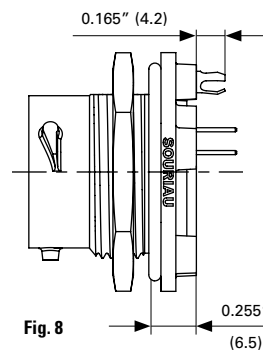
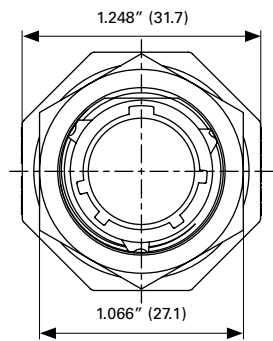
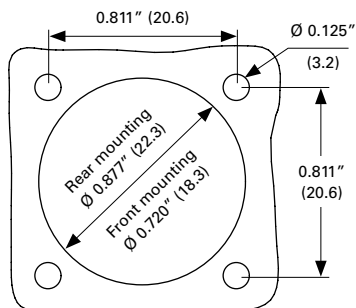


Fig. 8

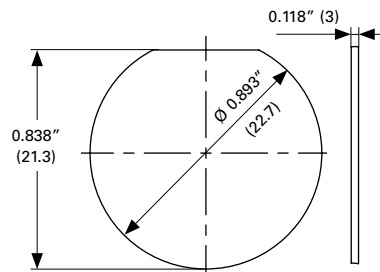


### Panel cut out

#### Square flange receptacle - UTSX0



#### Jam nut receptacle - UTSX7



Dimensions in inches (millimeters)

## Accessories

### Jam nut and free hanging receptacle sealing caps



Description	Part number
IP68	<b>UTS12DCG</b>
IP68 - Metal terminal	<b>UTS12DCGR</b>

### Square flange sealing cap



Description	Part number
IP68 - Metal terminal	<b>UTS12DCGE</b>

### Plug sealing cap



Description	Part number
IP68	<b>UTX612DCG</b>

### Plastic protective cap



Part number receptacle cap	Part number plug cap
85005587A	85005596

### Gasket



Part number
<b>UTFD13B</b>

### Color coding rings



Description	Part number receptacles	Part number plugs
G for Green	<b>UTS712CCRG</b>	<b>UTS612CCRG</b>
Y for Yellow	<b>UTS712CCRY</b>	<b>UTS612CCRY</b>
R for Red	<b>UTS712CCRR</b>	<b>UTS612CCRR</b>

# Souriau UTSX series

1210 - 12E10/12D10 (Shell size 12, 10x#20)

## Tooling

### Tooling



Description	Part number
Handle (without head)	<b>Shandles</b>
Box containing handle and several crimp tooling	<b>Toolkit</b>

### Crimp tooling (without Shandles)



Contact size	Contacts	Part number of Head
Standard contacts	<b>RM/RC 24W3K<sup>(1)</sup></b>	<b>S20RCM*</b>
#20	<b>RM/RC 20W3K<sup>(1)</sup></b>	<b>S20RCM*</b>
Ø 0.039" (1)	<b>RM/RC 18W3K<sup>(1)</sup></b>	<b>S20RCM*</b>
	<b>SM/SC 24WL3<sup>(1)(2)</sup></b>	<b>S20SCM20*</b>
	<b>SM/SC 20WL3<sup>(1)(2)</sup></b>	<b>S20SCM20*</b>

(1) Example of plating, for other plating options see **Page 198**

(2) Loose contact

\* Heads to be used with handle PN: SHANDLES



### Extraction tool #20



Description	Part number
Contacts #20 Ø 0.039" (1)	<b>RX20D44</b>

**Contacts #20**

Contact style	Contact type	Cable acceptance		Part number	Wire Ø max		Insulator Ø max			
		AWG	inch <sup>2</sup>		mm <sup>2</sup>	inch	mm	inch	mm	
Crimp contacts	Machined	26-24	0.005"-0.009"	0.13-0.25	<b>RM24W3K</b>	<b>RC24W3K</b>	0.031"	0.80	0.062"	1.58
	Machined	22-20	0.012"-0.020"	0.32-0.52	<b>RM20W3K</b>	<b>RC20W3K</b>	0.045"	1.15	0.070"	1.80
	Machined	20-18	0.020"-0.031"	0.52-0.80	<b>RM18W3K</b>	<b>RC18W3K</b>	0.051"	1.30	0.082"	2.10
	Stamped and formed reeled contacts See note <sup>(1)</sup> for loose piece	26-24	0.005"-0.009"	0.13-0.25	<b>SM24W3TK6<sup>(1)</sup></b>	<b>SC24W3TK6<sup>(1)</sup></b>	–	–	0.035"-0.062"	0.90-1.60
		26-24	0.005"-0.009"	0.13-0.25	<b>SM24W3S26<sup>(1)</sup></b>	<b>SC24W3S25<sup>(1)</sup></b>	–	–	0.035"-0.062"	0.90-1.60
		22-20	0.012"-0.020"	0.32-0.52	<b>SM20W3TK6<sup>(1)</sup></b>	<b>SC20W3TK6<sup>(1)</sup></b>	–	–	0.047"-0.082"	1.20-2.10
	22-20	0.012"-0.020"	0.32-0.52	<b>SM20W3S26<sup>(1)</sup></b>	<b>SC20W3S25<sup>(1)</sup></b>	–	–	0.047"-0.082"	1.20-2.10	
PCB	Machined <sup>(2)</sup>	–	–	–	<b>RMW5016K</b>	<b>RCW5016K</b>	–	–	–	–

(1) Loose piece contact available by adding "L" after the "M" for the contact size and the plating. Example: SM20W3TK6 becomes SM20WL3TK6

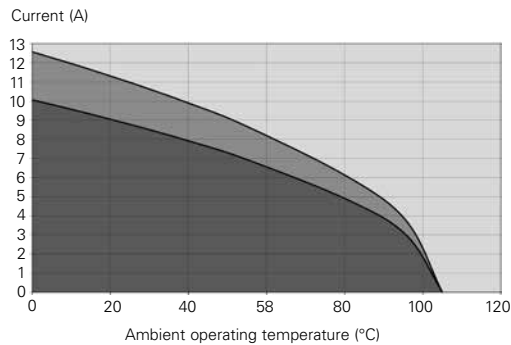
(2) for dimensions see **Pages 205**

Contact style	Contact type	Plating	Cable acceptance (AWG)	Wire stripping length	
				inch	mm
Hand solder	Loaded in the connector	Min 0.4µ gold over 0.8µ Ni	20 to 18	0.149"	3.8

**Electrical characteristics**

UL	CSA	IEC
UTSX 1210 4.5A 250V with AWG20 wire	3A 250V with AWG20 wire	6A 50V 1.5kV 3
UTSX 12E10/12D10 4.5A 250V with AWG20 wire	4.5A 250V with AWG20 wire	6A 50V 1.5kV 3

**UTSX 1210 - 12E10/12D10 derating curves**



- Current use
- Limited use
- Not recommended use

**Test conditions**

Contact used: machined contacts  
Wires used: 20 AWG

Derating curves based on continuous current application.

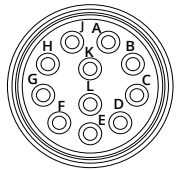
# Souriau UTSX series

18E11/18D11 (Shell size 18, 11 x #16)



## Connector part number

### UTSX 18E11 /18D11



11 contacts  
13A/600V per UL 1977  
with AWG16 wire

Contact type	Connector type	Backshell	Part number Male insert	Female insert
Hand solder electrical contacts loaded see <b>Page 127</b>	Square flange receptacle	Without (Fig. 1)	<b>UTSX018E11P</b>	<b>UTSX018E11S</b>
	Plug	Without (Fig. 4)	<b>UTSX618E11P</b>	<b>UTSX618E11S</b>
	Plug	Cable gland (Fig. 5)	<b>UTSX6JC18E11P</b>	<b>UTSX6JC18E11S</b>
	Jam nut receptacle	Without (Fig. 6)	<b>UTSX718E11P</b>	<b>UTSX718E11S</b>
	Jam nut receptacle with stand off and with hold down clips	Without (Fig. 8)	<b>UTSX718E11P32</b>	<b>UTSX718E11S32</b>
PCB contacts loaded see <b>Page 127</b>	Square flange receptacle	Without (Fig. 3)	<b>UTSX018D11P</b>	<b>UTSX018D11S</b>
	Jam nut receptacle with stand off and without hold down clip	Without (Fig.7)	<b>UTSX718D11P</b>	<b>UTSX718D11S</b>
	Jam nut receptacle with stand off and with hold down clips	Without (Fig. 8)	<b>UTSX718D11P32</b>	<b>UTSX718D11S32</b>

For discrimination/keying methods see **Page 223**

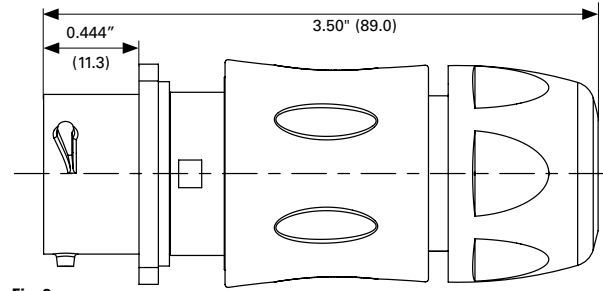
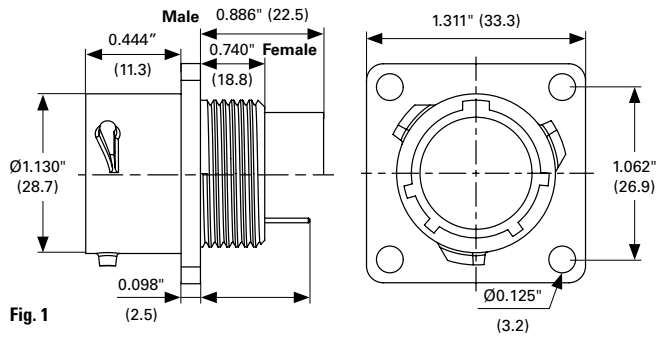
Sealed unmated

## Overmolded cable assembly part numbers

Please contact us directly for overmolded cable assemblies.

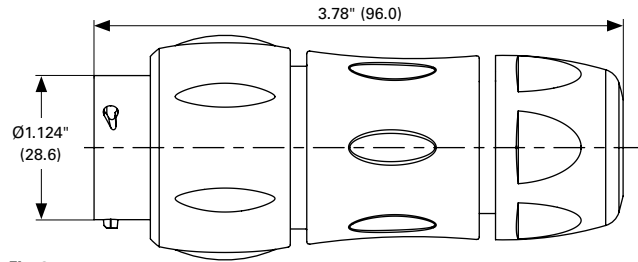
## Dimensions (For mated connector lengths see Page 215)

### Square flange receptacle - UTSX0 and UTSX0JC



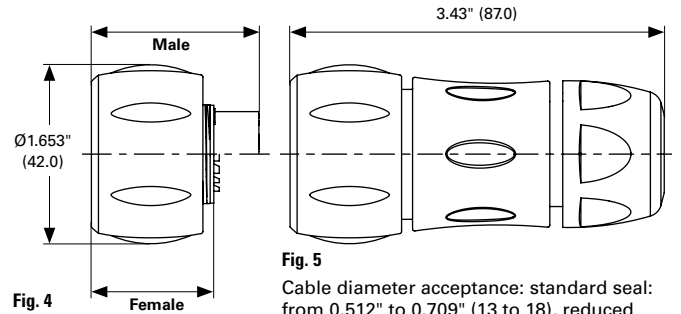
**Fig. 2**  
Cable diameter acceptance: standard seal: from 0.512" to 0.709" (13 to 18), reduced seal: from 0.433" to 0.590" (11 to 15).

### Free hanging - UTSX1JC and UTSXGJC



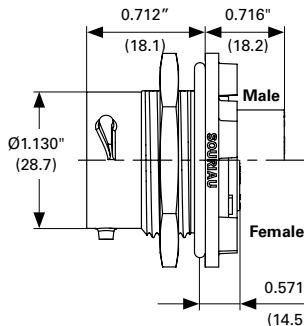
**Fig. 3**  
Cable diameter acceptance: standard seal: from 0.512" to 0.709" (13 to 18), reduced seal: from 0.433" to 0.590" (11 to 15).

### Plug - UTSX6 and UTSX6JC

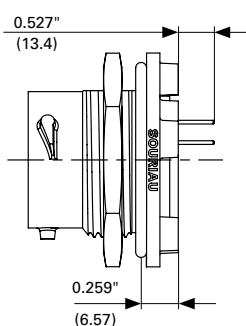


**Fig. 5**  
Cable diameter acceptance: standard seal: from 0.512" to 0.709" (13 to 18), reduced seal: from 0.433" to 0.590" (11 to 15).

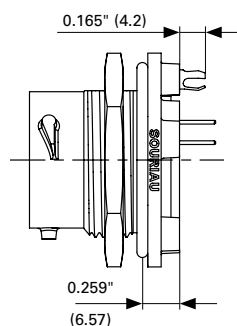
### Jam nut receptacle UTSX7



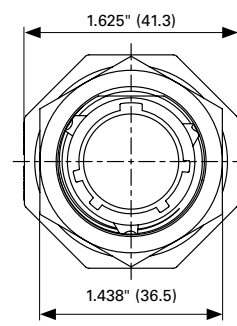
**Fig. 6**



**Fig. 7**

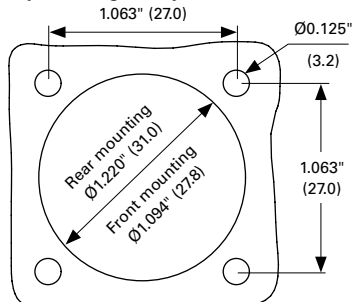


**Fig. 8**

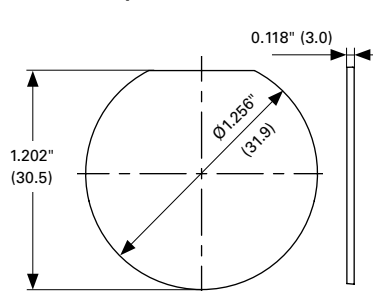


### Panel cut out

#### Square flange receptacle - UTSX0



#### Jam nut receptacle - UTSX7



Dimensions in inches (millimeters)

# Souriau UTSX series

18E11/18D11 (Shell size 18, 11 x #16)

## Accessories

### Jam nut and free hanging receptacle sealing caps



Description	Part number
IP68	UTS18DCG
IP68 - Metal terminal	UTS18DCGR

### Square flange sealing cap



Description	Part number
IP68 - Metal terminal	UTS18DCGE

### Plug sealing cap



Description	Part number
IP68	UTS618DCG

### Plastic protective cap



Part number receptacle cap	Part number plug cap
85005590A	85005599

### Gasket



Part number
UTFD16B

### Color coding rings

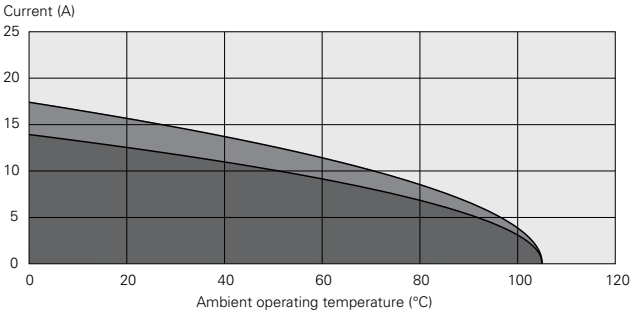


Description	Part number receptacles	Part number plugs
G for Green	UTS718CCRG	UTS618CCRG
Y for Yellow	UTS718CCRY	UTS618CCRY
R for Red	UTS718CCRR	UTS618CCRR

**Electrical characteristics**

UL	CSA	IEC
UTSX 18E11/18D11 13A 600V with AWG16 wire	10A 600V with AWG16 wire	13A 40V 2.5kV 3

**UTSX 18E11/18D11 derating curves**



- Current use
- Limited use
- Not recommended use

**Test conditions**

Contact used: machined contacts  
Wires used: 16 AWG

Derating curves based on continuous current application.

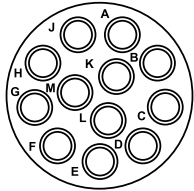
# Souriau UTSX series

1412 (Shell size 14, 12x#16)



## Connector part number

### UTSX 1412



12 contacts  
16A/500V  
per UL 1977 with  
AWG14 wire

Contact type	Connector type	Backshell	Part number Male insert	Female insert
Crimp contacts supplied separately See <b>Page 132</b>	Square flange receptacle	Without (Fig. 1)	<b>UTSX01412P</b>	<b>UTSX01412S</b>
	Square flange receptacle	Cable gland (Fig. 2)	<b>UTSX0JC1412P</b>	<b>UTSX0JC1412S</b>
	Free hanging receptacle	Cable gland (Fig. 3)	<b>UTSX1JC1412P</b>	<b>UTSX1JC1412S</b>
	Free hanging receptacle	Cable gland and grommet (Fig. 3)	<b>UTSX1GJC1412P</b>	–
	Plug	Without (Fig. 4)	<b>UTSX61412P</b>	<b>UTSX61412S</b>
	Plug	Cable gland (Fig. 5)	<b>UTSX6JC1412P</b>	<b>UTSX6JC1412S</b>
	Plug	Cable gland and grommet (Fig. 5)	–	<b>UTSX6GJC1412S</b>
	Jam nut receptacle	Without (Fig. 6)	<b>UTSX71412P</b>	<b>UTSX71412S</b>
Jam nut receptacle	Cable gland and grommet (Fig. 7)	<b>UTSX7GJC1412P</b>	–	
PCB contacts supplied separately See <b>Page 132</b>	Square flange receptacle	Without (Fig. 1)	<b>UTSX01412P</b>	<b>UTSX01412S</b>
	Jam nut receptacle	Without (Fig. 6)	<b>UTSX71412P</b>	<b>UTSX71412S</b>

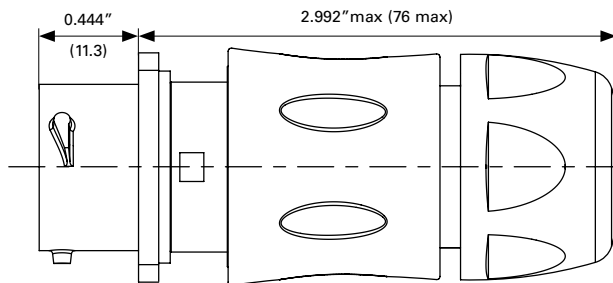
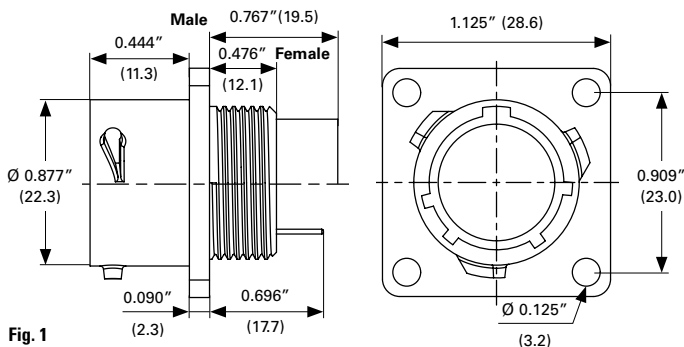
For discrimination/keying methods see **Page 223**

## Overmolded cable assembly part numbers

Please contact us directly for overmolded cable assemblies.

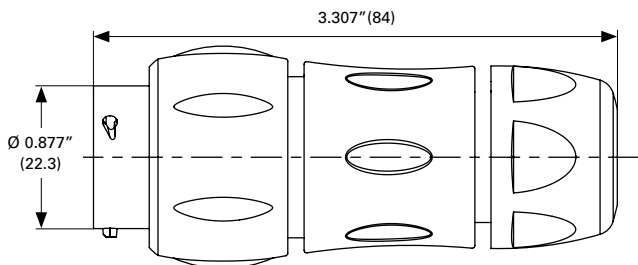
**Dimensions** (For mated connector lengths see Page 215)

**Square flange receptacle - UTSX0 and UTSX0JC**



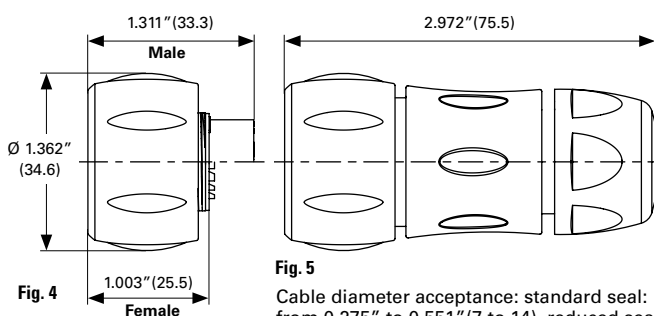
**Fig. 2**  
Cable diameter acceptance: standard seal: from 0.275" to 0.551" (7 to 14), reduced seal: from 0.196" to 0.472" (5 to 12)

**Free hanging - UTSX1JC and UTSC1GJC**



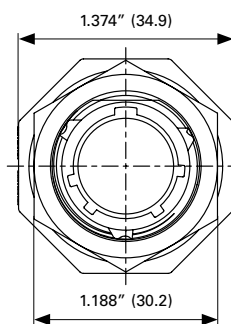
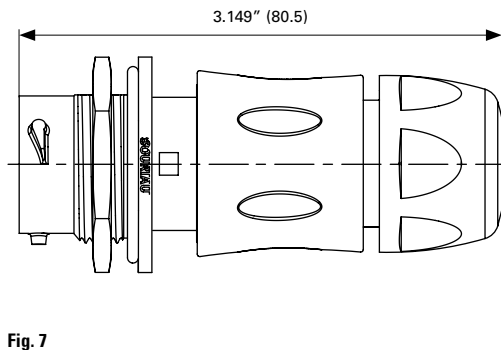
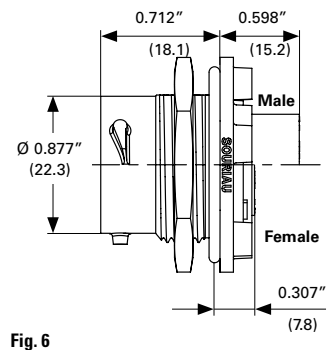
**Fig. 3**  
Cable diameter acceptance: standard seal: from 0.275" to 0.551" (7 to 14), reduced seal: from 0.196" to 0.472" (5 to 12)

**Plug - UTSX6, UTSX6JC and UTSX6GJC**



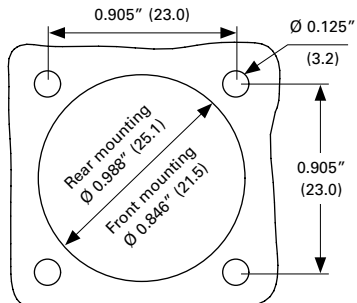
**Fig. 5**  
Cable diameter acceptance: standard seal: from 0.275" to 0.551" (7 to 14), reduced seal: from 0.196" to 0.472" (5 to 12)

**Jam nut receptacle UTSX7 and UTSX7GJC**

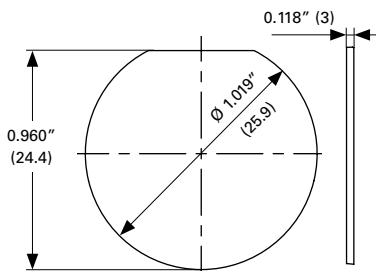


**Panel cut out**

**Square flange receptacle - UTSX0**



**Jam nut receptacle - UTSX7**



Dimensions in inches (millimeters)

# Souriau UTSX series

1412 (Shell size 14, 12x#16)

## Accessories

### Jam nut and free hanging receptacle sealing caps



Description	Part number
IP68	UTS14DCG
IP68 - Metal terminal	UTS14DCGR

### Square flange sealing cap



Description	Part number
IP68 - Metal terminal	UTS14DCGE

### Plug sealing cap



Description	Part number
IP68	UTX614DCG

### Plastic protective cap



Part number receptacle cap	Part number plug cap
8500588A	85005597

### Gasket



Part number
UTFD14B

### Color coding rings



Description	Part number receptacles	Part number plugs
G for Green	UTS714CCRG	UTS614CCRG
Y for Yellow	UTS714CCRY	UTS614CCRY
R for Red	UTS714CCRR	UTS614CCRR

## Tooling

### Tooling



Description	Part number
Handle (without head)	<b>Shandles</b>
Box containing handle and several crimp tooling	<b>Toolkit</b>

### Crimp tooling (without Shandles)



Contact size	Contacts	Part number of Head
Standard contacts #16 Ø 0.062" (1.6)	RM/RC 28M1K <sup>(1)</sup>	S16RCM20*
	RM/RC 24M9K <sup>(1)</sup>	S16RCM20*
	RM/RC 20M13K <sup>(1)</sup>	S16RCM20*
	RM/RC 20M12K <sup>(1)</sup>	S16RCM20*
	RM/RC 16M23K <sup>(1)</sup>	S16RCM16*
	RM/RC 14M30K <sup>(1)</sup>	S16RCM14*
	SM/SC 24ML1TK6 <sup>(1)</sup>	S16SCM20*
	SM/SC 20ML1TK6 <sup>(1)</sup>	S16SCM20*
	SM/SC 16ML1TK6 <sup>(1)</sup>	S16SCML1*
	SM/SC 14ML1TK6 <sup>(1)</sup>	S16SCML1*
	SM/SC 16ML11TK6 <sup>(1)</sup>	S16SCML11*

(1) Example of plating, for other plating options see **Page 198**

\* Heads to be used with handle PN: SHANDLES

### #16, #12 and #8 machined contacts



Description	Part number
Crimp tool	<b>M20S-1J</b>
Die casts and stop bushings	See <b>Page 210</b>

### Extraction tool #16

Fig. 1



Fig. 2



Description	Part number
<b>Fig. 1</b>	<b>RX2025GE1</b>
<b>Fig. 2 - Long endurance tool</b>	<b>RX2031J</b>

# Souriau UTSX series

1412 (Shell size 14, 12x#16)

## Contacts #16

Contact style	Contact type	Cable acceptance		Part number	Wire Ø max		Insulator Ø max			
		AWG	inch <sup>2</sup>		mm <sup>2</sup>	inch	mm	inch	mm	
Crimp contacts	Machined	30-28	0.002"-0.003"	0.05-0.08	RM28M1K <sup>(1)</sup>	RC28M1K <sup>(1)</sup>	0.021"	0.55	0.039"	1.00
		26-24	0.005"-0.009"	0.13-0.25	RM24M9K <sup>(1)</sup>	RC24M9K <sup>(1)</sup>	0.031"	0.80	0.062"	1.58
		22-20	0.012"-0.020"	0.32-0.52	RM20M13K <sup>(1)</sup>	RC20M13K <sup>(1)</sup>	0.045"	1.15	0.070"	1.80
		22-20	0.012"-0.020"	0.32-0.52	RM20M12K <sup>(1)</sup>	RC20M12K <sup>(1)</sup>	0.045"	1.15	0.086"	2.20
		20-16	0.020"-0.059"	0.52-1.48	RM16M23K <sup>(1)</sup>	RC16M23K <sup>(1)</sup>	0.070"	1.80	0.125"	3.20
		16-14	0.059"-0.098"	1.48-2.48	RM14M30K <sup>(1)</sup>	RC14M30K <sup>(1)</sup>	0.090"	2.30	0.125"	3.20
	Stamped and formed reeled contacts See note <sup>(2)</sup> for loose piece	26-24	0.005"-0.009"	0.13-0.25	SM24M1TK6 <sup>(1)(2)</sup>	SC24M1TK6 <sup>(1)(2)</sup>	-	-	0.035"-0.062"	0.90-1.58
		22-20	0.012"-0.020"	0.32-0.52	SM20M1TK6 <sup>(1)(2)</sup>	SC20M1TK6 <sup>(1)(2)</sup>	-	-	0.047"-0.082"	1.20-2.10
		18-16	0.031"-0.059"	0.80-1.48	SM16M1TK6 <sup>(1)(2)</sup>	SC16M1TK6 <sup>(1)(2)</sup>	-	-	0.125"	3.20
		18-16	0.031"-0.059"	0.80-1.48	SM16M11TK6 <sup>(1)(2)</sup>	SC16M11TK6 <sup>(1)(2)</sup>	-	-	0.118"	3.00
		14	0.098"	2.48	SM14M1TK6 <sup>(1)(2)</sup>	SC14M1TK6 <sup>(1)(2)</sup>	-	-	0.125"	3.20
		PCB	Machined <sup>(3)</sup>	-	-	RM20M12E83K <sup>(1)</sup>	RC20M12E84K <sup>(1)</sup>	-	-	-
Coaxial	Cable multipiece	see Page 202		RMDXK10D28	RCDXK1D28	-	-	-	-	
	Cable monocrimp	see Page 202		RMDX60xxD28	RCDX60xxD28	-	-	-	-	
	Twisted pair multipiece	see Page 202		RMDXK10D28 + yorx090	RCDXK1D28 + yorx090	-	-	-	-	
	Twisted pair monocrimp	see Page 202		RMDX60xxD28	RCDX60xxD28	-	-	-	-	
Fiber optic	POF contacts (Plastic optical fiber)	-	-	RMPOF1000	RCPOF1000B	-	-	-	-	
Hand solder	Loaded in the connector	14-18	0.098"-0.031"	2.48-0.80	-	-	-	-	-	

(1) Example of plating, for other plating see Page 198

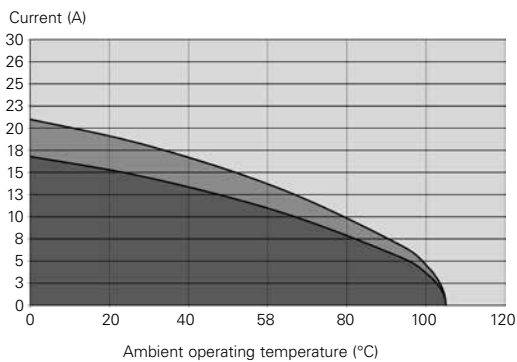
(2) Loose piece contact available by adding "L" after the "M" for the contact size and the plating. Example: SM20M1TK6 becomes SM20ML1TK6

(3) for dimensions see Page 205

## Electrical characteristics

UL	CSA	IEC
16A 500V with AWG14 wire	16A 500V with AWG14 wire	10A 63V 1.5kV 3

## UTSX 1412 derating curves



- Current use
- Limited use
- Not recommended use

### Test conditions

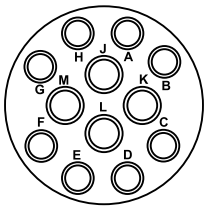
Contact used: machined contacts  
Wires used: 20 AWG

Derating curves based on continuous current application.



## Connector part number

### UTSX 14E12/14D12



12 contacts 5A  
250V per UL1977  
with AWG20  
wire 10A 600V  
per UL1977 with  
AWG16 wire  
(qualification  
pending)

Contact type	Connector type	Backshell	Part number Male insert	Female insert
Hand solder electrical contacts loaded see <b>Page 136</b>	Square flange receptacle	Without (Fig. 1)	<b>UTSX014E12P</b>	<b>UTSX014E12S</b>
	Plug	Without (Fig. 2)	<b>UTSX614E12P</b>	<b>UTSX614E12S</b>
	Plug	Cable gland (Fig. 3)	<b>UTSX6JC14E12P</b>	<b>UTSX6JC14E12S</b>
	Jam nut receptacle	Without (Fig. 4)	<b>UTSX714E12P</b>	<b>UTSX714E12S</b>
PCB contacts loaded see <b>Page 136</b>	Square flange receptacle	Without (Fig. 2)	<b>UTSX014D12P</b>	<b>UTSX014D12S</b>
	Jam nut receptacle with stand off and without hold down clip	Without (Fig. 5)	<b>UTSX714D12P</b>	<b>UTSX714D12S</b>
	Jam nut receptacle with stand off and with hold down clips	Without (Fig. 6)	<b>UTSX714D12P32</b>	<b>UTSX714D12S32</b>

For discrimination/keying methods see **Page 223**

Sealed unmated

### Overmolded cable assembly part numbers

Please contact us directly for overmolded cable assemblies.

# Souriau UTSX series

14E12/14D12 (Shell size 14, 8x#20, 4#16)

## Dimensions (For mated connector lengths see Page 215)

### Square flange receptacle - UTSX0

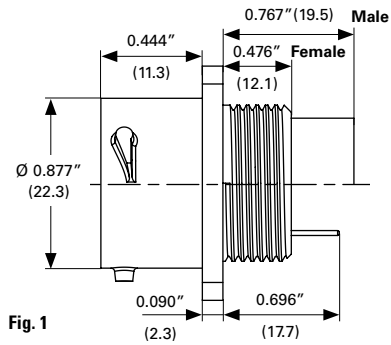
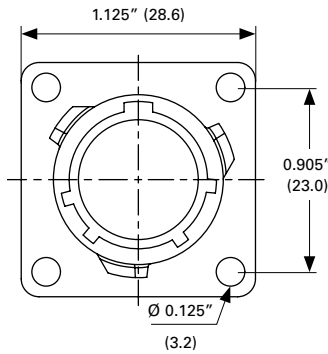


Fig. 1



### Plug - UTSX6 and UTSX6JC

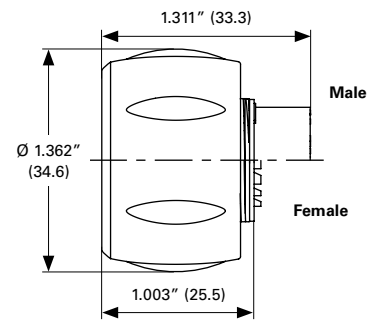


Fig. 2

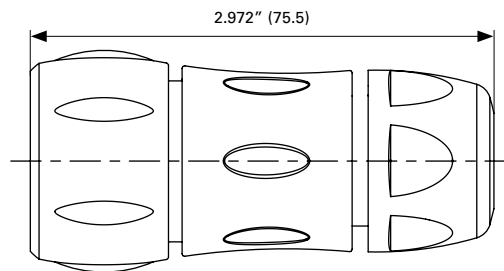


Fig. 3

Cable diameter acceptance: standard seal: from 0.275" to 0.551" (7 to 14), reduced seal: from 0.196" to 0.472" (5 to 12)

### Jam nut receptacle UTSX7

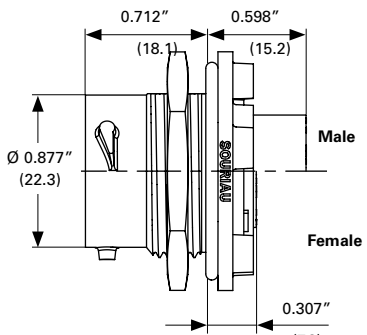


Fig. 4

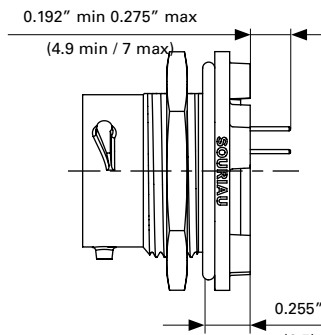


Fig. 5

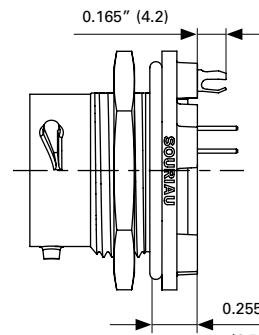
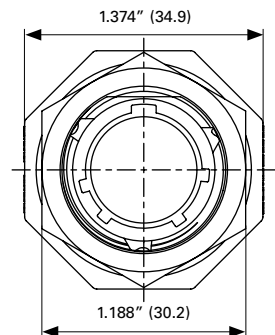
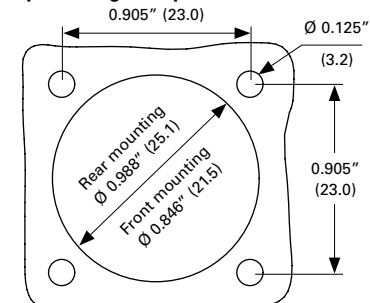


Fig. 6

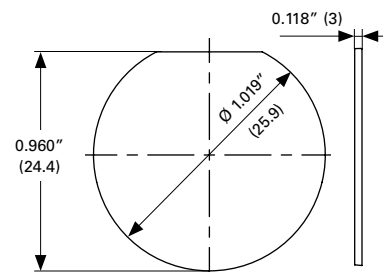


### Panel cut out

#### Square flange receptacle - UTSX0



#### Jam nut receptacle - UTSX7



Dimensions in inches (millimeters)

## Accessories

### Jam nut and free hanging receptacle sealing caps



Description	Part number
IP68	<b>UTS14DCG</b>
IP68 - Metal terminal	<b>UTS14DCGR</b>

### Square flange sealing cap



Description	Part number
IP68 - Metal terminal	<b>UTS14DCGE</b>

### Plug sealing cap



Description	Part number
IP68	<b>UTX614DCG</b>

### Plastic protective cap



Part number receptacle cap	Part number plug cap
<b>85005588A</b>	<b>85005597</b>

### Gasket



Part number
<b>UTFD14B</b>

### Color coding rings



Description	Part number receptacles	Part number plugs
G for Green	<b>UTS714CCRG</b>	<b>UTS614CCRG</b>
Y for Yellow	<b>UTS714CCRY</b>	<b>UTS614CCRY</b>
R for Red	<b>UTS714CCRR</b>	<b>UTS614CCRR</b>

# Souriau UTSX series

14E12/14D12 (Shell size 14, 8x#20, 4#16)

## Contacts

Contact size	Contact type	Plating	Cable acceptance (AWG)	Cable acceptance		Wire stripping length	
				inch <sup>2</sup>	mm <sup>2</sup>	inch	mm
#16	Handsolded Loaded in the connector	Min 0.4μ gold over 0.8μ Ni	18 - 14	0.032"-0.081"	0.823 - 2.08	0.196"	5
	PCB Machined <sup>(1)</sup>	Min 0.4μ gold over 0.8μ Ni	–	–	–	–	–
#20	Handsolded Loaded in the connector	Min 0.4μ gold over 0.8μ Ni	20 - 18	0.012"-0.029"	0.32 - 0.75	0.149"	3.8
	PCB Machined <sup>(1)</sup>	Min 0.4μ gold over 0.8μ Ni	–	–	–	–	–

(1) For dimensions see **Pages 205**

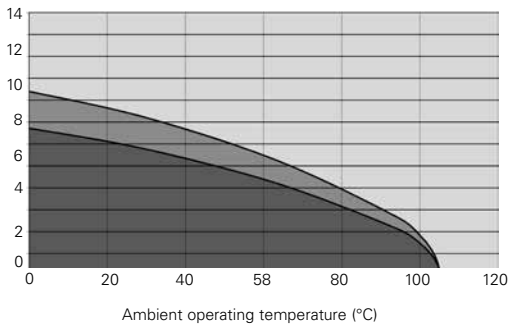
## Electrical characteristics

UL	CSA	IEC
5A 250V with AWG20* 10A 600V with AWG16*	5A 250V with AWG20* 10A 600V with AWG16*	4A 50V 1.5kV 3

\* qualification pending

## UTSX 14E12/14D12 derating curves

Current (A)



- Current use
- Limited use
- Not recommended use

### Test conditions

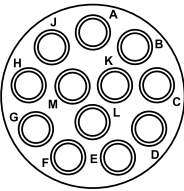
Contact used: machined contacts  
Wires used: 20 AWG

Derating curves based on continuous current application.



**Connector part number**

**UTSX 1492**



12 contacts  
0A/500V per  
UL 1977 with  
AWG16 wire

Contact type	Connector type	Backshell	Part number Male insert	Female insert
Crimp contacts supplied separately see <b>Page 141</b>	Square flange receptacle	Without (Fig. 1)	<b>UTSX01492P</b>	<b>UTSX01492S</b>
	Square flange receptacle	Cable gland (Fig. 2)	<b>UTSX0JC1492P</b>	<b>UTSX0JC1492S</b>
	Free hanging receptacle	Cable gland (Fig. 3)	<b>UTSX1JC1492P</b>	<b>UTSX1JC1492S</b>
	Plug	Without (Fig. 4)	<b>UTSX61492P</b>	<b>UTSX61492S</b>
	Plug	Cable gland (Fig. 5)	<b>UTSX6JC1492P</b>	<b>UTSX6JC1492S</b>
	Jam nut receptacle	Without (Fig. 6)	<b>UTSX71492P</b>	<b>UTSX71492S</b>
PCB contacts supplied separately see <b>Page 141</b>	Square flange receptacle	Without (Fig. 1)	<b>UTSX01492P</b>	<b>UTSX01492S</b>
	Jam nut receptacle	Without (Fig. 6)	<b>UTSX71492P</b>	<b>UTSX71492S</b>

For discrimination/keying methods see **Page 223**

# Souriau UTSX series

1492 (Shell size 14, 12x#16)

## Dimensions (For mated connector lengths see Page 215)

### Square flange receptacle - UTSX0 and UTSX0JC

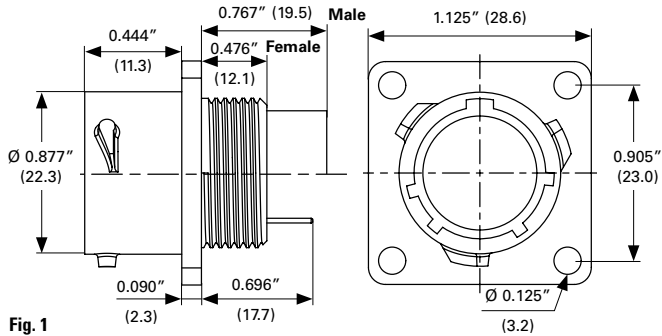


Fig. 1

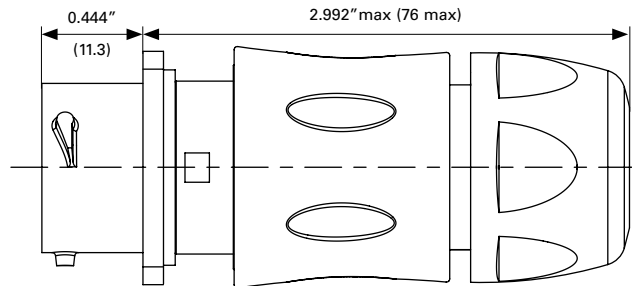


Fig. 2

Cable diameter acceptance: standard seal: from 0.275" to 0.551" (7 to 14), reduced seal: from 0.196" to 0.472" (5 to 12)

### Free hanging - UTSX1JC

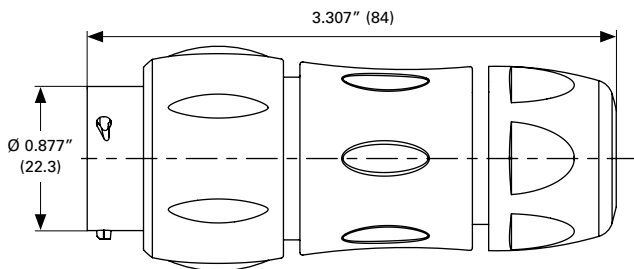


Fig. 3

Cable diameter acceptance: standard seal: from 0.275" to 0.551" (7 to 14), reduced seal: from 0.196" to 0.472" (5 to 12)

### Plug - UTSX6 and UTSX6JC

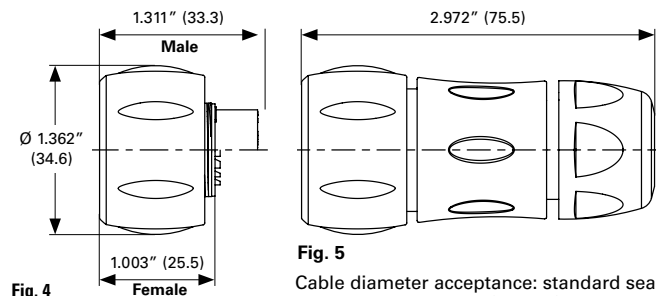


Fig. 4

Fig. 5

Cable diameter acceptance: standard seal: from 0.275" to 0.551" (7 to 14), reduced seal: from 0.196" to 0.472" (5 to 12)

### Jam nut receptacle UTSX7

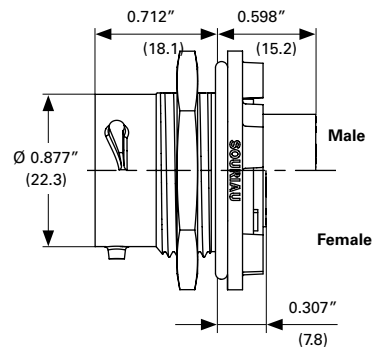


Fig. 6

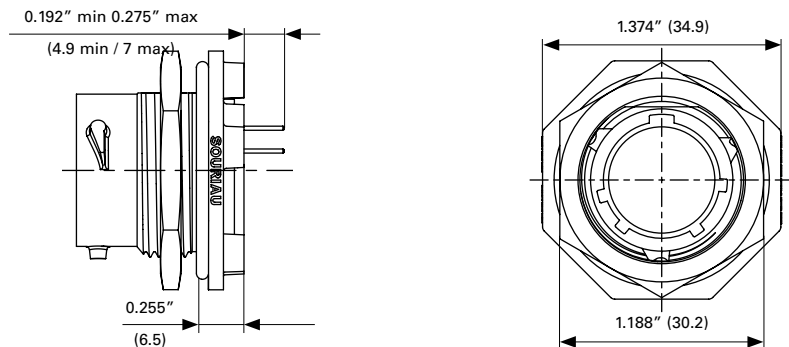
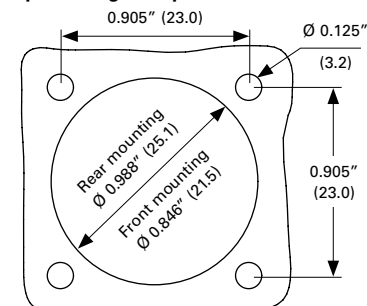


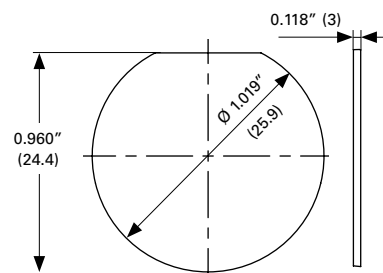
Fig. 7

### Panel cut out

#### Square flange receptacle - UTSX0



#### Jam nut receptacle - UTSX7



Dimensions in inches (millimeters)

**Accessories**

**Jam nut and free hanging receptacle sealing caps**



Description	Part number
IP68	<b>UTS14DCG</b>
IP68 - Metal terminal	<b>UTS14DCGR</b>

**Square flange sealing cap**



Description	Part number
IP68 - Metal terminal	<b>UTS14DCGE</b>

**Plug sealing cap**



Description	Part number
IP68	<b>UTX614DCG</b>

**Plastic protective cap**



Part number receptacle cap	Part number plug cap
85005588A	<b>85005597</b>

**Gasket**



Part number
<b>UTFD14B</b>

**Color coding rings**



Description	Part number receptacles	Part number plugs
G for Green	<b>UTS714CCRG</b>	<b>UTS614CCRG</b>
Y for Yellow	<b>UTS714CCRY</b>	<b>UTS614CCRY</b>
R for Red	<b>UTS714CCRR</b>	<b>UTS614CCRR</b>

# Souriau UTSX series

1492 (Shell size 14, 12x#16)

## Tooling

### Tooling



Description	Part number
Handle (without head)	<b>Shandles</b>
Box containing handle and several crimp tooling	<b>Toolkit</b>

### Crimp tooling (without Shandles)



Contact size	Contacts	Part number of Head
Standard contacts #16 Ø 0.062" (1.6)	RM/RC 28M1K <sup>(1)</sup>	S16RCM20*
	RM/RC 24M9K <sup>(1)</sup>	S16RCM20*
	RM/RC 20M13K <sup>(1)</sup>	S16RCM20*
	RM/RC 20M12K <sup>(1)</sup>	S16RCM20*
	RM/RC 16M23K <sup>(1)</sup>	S16RCM16*
	RM/RC 14M30K <sup>(1)</sup>	S16RCM14*
	SM/SC 24ML1TK6 <sup>(1)</sup>	S16SCM20*
	SM/SC 20ML1TK6 <sup>(1)</sup>	S16SCM20*
	SM/SC 16ML1TK6 <sup>(1)</sup>	S16SCML1*
	SM/SC 14ML1TK6 <sup>(1)</sup>	S16SCML1*
	SM/SC 16ML11TK6 <sup>(1)</sup>	S16SCML11*

(1) Example of plating, for other plating options see **Page 198**  
\* Heads to be used with handle PN: SHANDLES

### #16, #12 and #8 machined contacts



Description	Part number
Crimp tool	<b>M20S-1J</b>
Die casts and stop bushings	See <b>Page 210</b>

### Extraction tool #16

Fig. 1



Fig. 2



Description	Part number
Fig. 1	<b>RX2025GE1</b>
Fig. 2 - Long endurance tool	<b>RX2031J</b>

**Contacts #16**

Contact style	Contact type	Cable acceptance		Part number		Wire Ø max		Insulator Ø max		
		AWG	inch <sup>2</sup>	mm <sup>2</sup>	Male	Female	inch	mm	inch	mm
Crimp contacts	Machined	30-28	0.002"-0.003"	0.05-0.08	RM28M1K <sup>(1)</sup>	RC28M1K <sup>(1)</sup>	0.021"	0.55	0.039"	1.00
		26-24	0.005"-0.009"	0.13-0.25	RM24M9K <sup>(1)</sup>	RC24M9K <sup>(1)</sup>	0.031"	0.80	0.062"	1.58
		22-20	0.012"-0.020"	0.32-0.52	RM20M13K <sup>(1)</sup>	RC20M13K <sup>(1)</sup>	0.045"	1.15	0.070"	1.80
		22-20	0.012"-0.020"	0.32-0.52	RM20M12K <sup>(1)</sup>	RC20M12K <sup>(1)</sup>	0.045"	1.15	0.086"	2.20
		20-16	0.020"-0.059"	0.52-1.48	RM16M23K <sup>(1)</sup>	RC16M23K <sup>(1)</sup>	0.070"	1.80	0.125"	3.20
		16-14	0.059"-0.098"	1.48-2.48	RM14M30K <sup>(1)</sup>	RC14M30K <sup>(1)</sup>	0.090"	2.30	0.125"	3.20
	Stamped and formed reeled contacts See note <sup>(2)</sup> for loose piece	26-24	0.005"-0.009"	0.13-0.25	SM24M1TK6 <sup>(1)(2)</sup>	SC24M1TK6 <sup>(1)(2)</sup>	-	-	0.035"-0.062"	0.90-1.58
		22-20	0.012"-0.020"	0.32-0.52	SM20M1TK6 <sup>(1)(2)</sup>	SC20M1TK6 <sup>(1)(2)</sup>	-	-	0.047"-0.082"	1.20-2.10
		18-16	0.031"-0.059"	0.80-1.48	SM16M1TK6 <sup>(1)(2)</sup>	SC16M1TK6 <sup>(1)(2)</sup>	-	-	0.125"	3.20
		18-16	0.031"-0.059"	0.80-1.48	SM16M11TK6 <sup>(1)(2)</sup>	SC16M11TK6 <sup>(1)(2)</sup>	-	-	0.118"	3.00
		14	0.098"	2.48	SM14M1TK6 <sup>(1)(2)</sup>	SC14M1TK6 <sup>(1)(2)</sup>	-	-	0.125"	3.20
PCB	Machined <sup>(3)</sup>	-	-	-	RM20M12E83K <sup>(1)</sup>	RC20M12E84K <sup>(1)</sup>	-	-	-	-
Coaxial	Cable multipiece	see Page 202			RMDXK10D28	RCDXK1D28	-	-	-	-
	Cable monocrimp	see Page 202			RMDX60xxD28	RCDX60xxD28	-	-	-	-
	Twisted pair multipiece	see Page 202			RMDXK10D28 + yorx090	RCDXK1D28 + yorx090	-	-	-	-
	Twisted pair monocrimp	see Page 202			RMDX60xxD28	RCDX60xxD28	-	-	-	-
Fiber optic	POF contacts (Plastic optical fiber)	-	-	-	RMPOF1000	RCPOF1000B	-	-	-	-
Handsold	Loaded in the connector	14-18	0.098"-0.031"	2.48-0.80	-	-	-	-	-	-

(1) Example of plating, for other plating see Page 198

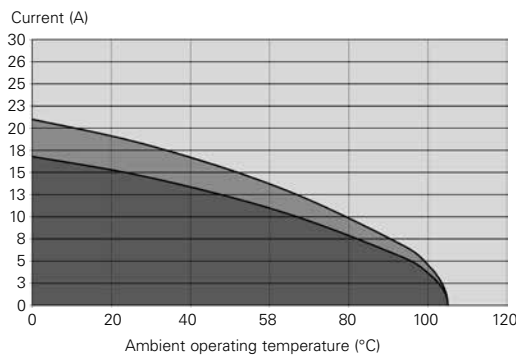
(2) Loose piece contact available by adding "L" after the "M" for the contact size and the plating. Example: SM20M1TK6 becomes SM20ML1TK6

(3) for dimensions see Page 205

**Electrical characteristics**

UL	CSA	IEC
10A 500V with AWG16 wire	7A 500V with AWG16 wire	10A 63V 1.5kV 3

**UTSX 1412 derating curves**



- Current use
- Limited use
- Not recommended use

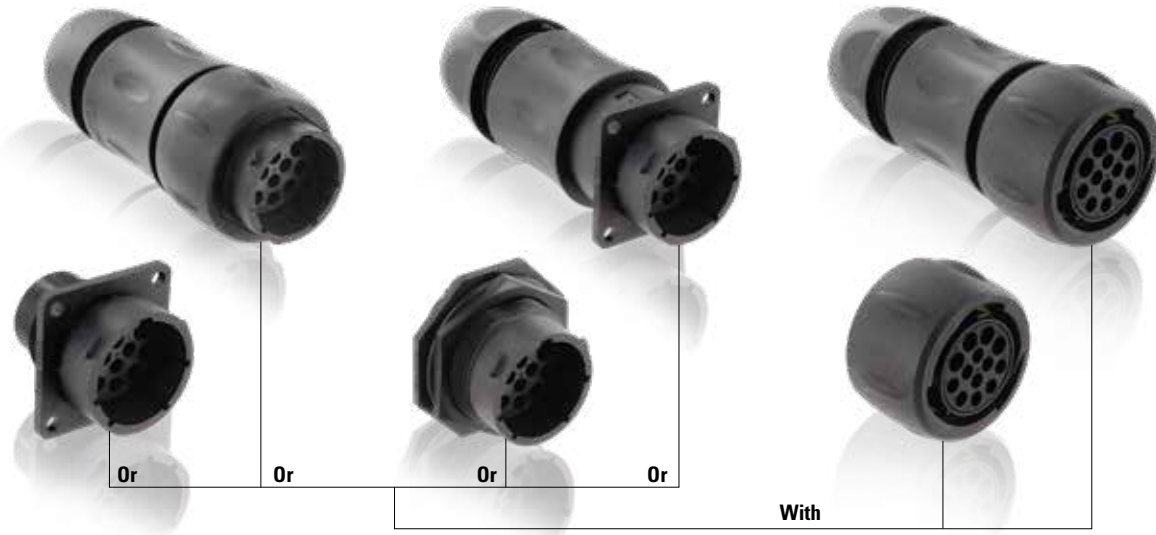
**Test conditions**

Contact used: machined contacts  
Wires used: 16 AWG

Derating curves based on continuous current application.

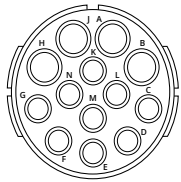
# Souriau UTSX series

1613 (Shell size 16, 4 x #12, 9 x #16)



## Connector part number

### UTSX 1613



13 contacts  
23A/600V per UL 1977  
with AWG12 wire

Contact type	Connector type	Backshell	Part number Male insert	Female insert
Crimp contacts supplied separately see <b>Page 146</b>	Square flange receptacle	Without (Fig. 1)	<b>UTSX01613P</b>	<b>UTSX01613S</b>
	Square flange receptacle	Cable gland (Fig. 2)	<b>UTSX0JC1613P</b>	<b>UTSX0JC1613S</b>
	Free hanging receptacle	Cable gland (Fig. 3)	<b>UTSX1JC1613P</b>	<b>UTSX1JC1613S</b>
	Plug	Without (Fig. 4)	<b>UTSX61613P</b>	<b>UTSX61613S</b>
	Plug	Cable gland (Fig. 5)	<b>UTSX6JC1613P</b>	<b>UTSX6JC1613S</b>
	Jam nut receptacle	Without (Fig. 6)	<b>UTSX71613P</b>	<b>UTSX71613S</b>
	Jam nut receptacle with stand off and with hold down clips	Without (Fig. 8)	<b>UTSX71613P32</b>	<b>UTSX71613S32</b>
	PCB contacts supplied separately see <b>Page 146</b>	Square flange receptacle	Without (Fig. 1)	<b>UTSX01613P</b>
Jam nut receptacle		Without (Fig. 7)	<b>UTSX71613P</b>	<b>UTSX71613S</b>

For discrimination/keying methods see **Page 223**

## Overmolded cable assembly part numbers

Please contact us directly for overmolded cable assemblies.

**Dimensions** (For mated connector lengths see Page 215)

**Square flange receptacle - UTSX0 and UTSX0JC**

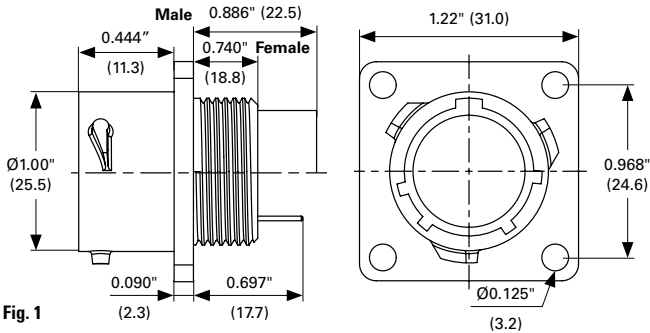


Fig. 1

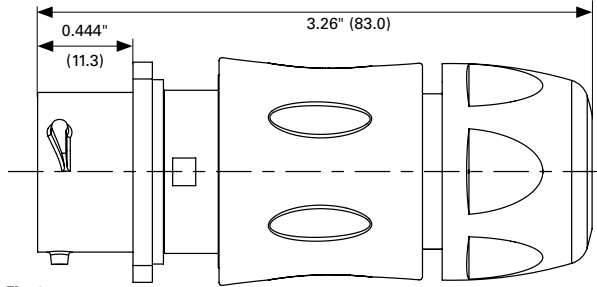


Fig. 2

Cable diameter acceptance: standard seal: from 0.472" to 0.630" (12 to 16), reduced seal: from 0.354" to 0.472" (9 to 12).

**Free hanging - UTSX1JC and UTSXGJC**

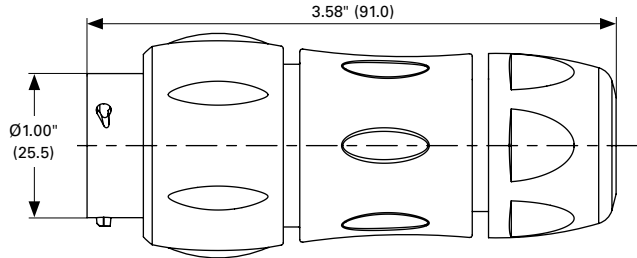


Fig. 3

Cable diameter acceptance: standard seal: from 0.472" to 0.630" (12 to 16), reduced seal: from 0.354" to 0.472" (9 to 12).

**Plug - UTSX6 and UTSX6JC**

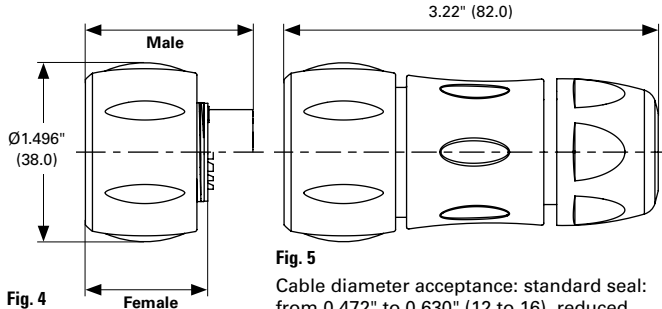


Fig. 4

Fig. 5

Cable diameter acceptance: standard seal: from 0.472" to 0.630" (12 to 16), reduced seal: from 0.354" to 0.472" (9 to 12).

**Jam nut receptacle UTSX7**

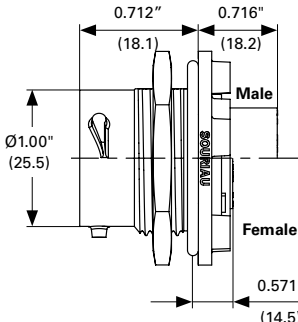


Fig. 6

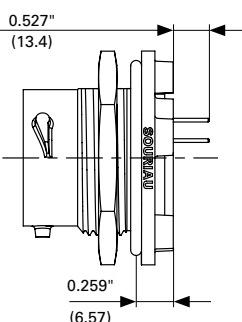


Fig. 7

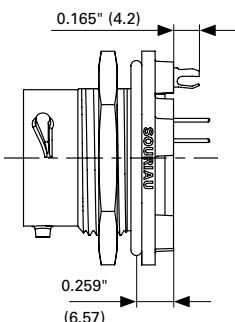
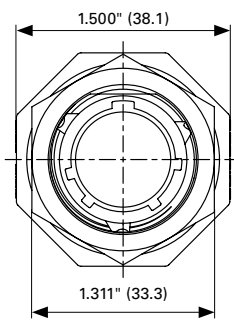
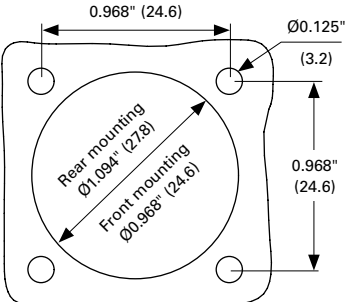


Fig. 8

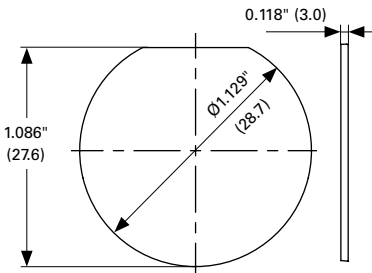


**Panel cut out**

**Square flange receptacle - UTSX0**



**Jam nut receptacle - UTSX7**



Dimensions in inches (millimeters)

# Souriau UTSX series

1613 (Shell size 16, 4 x #12, 9 x #16)

## Accessories

### Jam nut and free hanging receptacle sealing caps



Description	Part number
IP68	UTS16DCG
IP68 - Metal terminal	UTS16DCGR

### Square flange sealing cap



Description	Part number
IP68 - Metal terminal	UTS16DCGE

### Plug sealing cap



Description	Part number
IP68	UTS616DCG

### Plastic protective cap



Part number receptacle cap	Part number plug cap
85005589A	85005598

### Gasket



Part number
UTFD15B

### Color coding rings



Description	Part number receptacles	Part number plugs
G for Green	UTS716CCRG	UTS616CCRG
Y for Yellow	UTS716CCRY	UTS616CCRY
R for Red	UTS716CCRR	UTS616CCRR

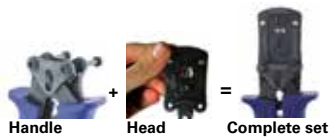
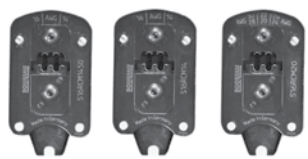
## Tooling

### Tooling



Description	Part number
Handle (without head)	<b>Shandles</b>
Box containing handle and several crimp tooling	<b>Toolkit</b>

### Crimp tooling (without Shandles)



Contact size	Contacts	Part number of Head
Standard contacts #16 Ø 0.062" (1.6)	RM/RC 28M1K <sup>(1)</sup>	S16RCM20*
	RM/RC 24M9K <sup>(1)</sup>	S16RCM20*
	RM/RC 20M13K <sup>(1)</sup>	S16RCM20*
	RM/RC 20M12K <sup>(1)</sup>	S16RCM20*
	RM/RC 16M23K <sup>(1)</sup>	S16RCM16*
	RM/RC 14M30K <sup>(1)</sup>	S16RCM14*
	SM/SC 24ML1TK6 <sup>(1)</sup>	S16SCM20*
	SM/SC 20ML1TK6 <sup>(1)</sup>	S16SCM20*
	SM/SC 16ML1TK6 <sup>(1)</sup>	S16SCML1*
	SM/SC 14ML1TK6 <sup>(1)</sup>	S16SCML1*
	SM/SC 16ML11TK6 <sup>(1)</sup>	S16SCML11*

(1) Example of plating, for other plating options see **Page 198**  
\* Heads to be used with handle PN: SHANDLES

### #16, #12 and #8 machined contacts



Description	Part number
Crimp tool	<b>M20S-1J</b>
Die casts and stop bushings	See <b>Page 210</b>

### Extraction tool #16



Description	Part number
<b>Fig. 1</b>	<b>RX2025GE1</b>
<b>Fig. 2</b> - Long endurance tool	<b>RX2031J</b>

### Crimp tooling #12



Contact size	Part number hand tool	Part number positioner + locator setting
Standard contacts #12 Ø 0.094" (2.4)	M317	VGE10077A

# Souriau UTSX series

1613 (Shell size 16, 4 x #12, 9 x #16)

## Contacts #12

Contact style	Contact type	Cable acceptance		Part number		Wire Ø max		Insulator Ø max		
		AWG	inch <sup>2</sup>	mm <sup>2</sup>	Male	Female	inch	mm	inch	mm
Crimp contacts	Machined	20	0.020"	0.52	82911457NA	82911456A	0.034"	0.87	0.192"	4.90
		20	0.020"	0.52	82911459NA	82911458A	0.044"	1.12	0.192"	4.90
		18	0.031"	0.80	82911461NA	82911460A	0.055"	1.42	0.192"	4.90
		16	0.059"	1.48	82911463NA	82911462A	0.067"	1.72	0.192"	4.90
		14	0.098"	2.48	82911465NA	82911464A	0.087"	2.20	0.192"	4.90
		12	0.157"	4.00	82911467NA	82911466A	0.111"	2.82	0.192"	4.90

## Contacts #16

Contact style	Contact type	Cable acceptance		Part number		Wire Ø max		Insulator Ø max		
		AWG	inch <sup>2</sup>	mm <sup>2</sup>	Male	Female	inch	mm	inch	mm
Crimp contacts	Machined	30-28	0.002"-0.003"	0.05-0.08	RM28M1K <sup>(1)</sup>	RC28M1K <sup>(1)</sup>	0.021"	0.55	0.039"	1.00
		26-24	0.005"-0.009"	0.13-0.25	RM24M9K <sup>(1)</sup>	RC24M9K <sup>(1)</sup>	0.031"	0.80	0.062"	1.58
		22-20	0.012"-0.020"	0.32-0.52	RM20M13K <sup>(1)</sup>	RC20M13K <sup>(1)</sup>	0.045"	1.15	0.070"	1.80
		22-20	0.012"-0.020"	0.32-0.52	RM20M12K <sup>(1)</sup>	RC20M12K <sup>(1)</sup>	0.045"	1.15	0.086"	2.20
		20-16	0.020"-0.059"	0.52-1.48	RM16M23K <sup>(1)</sup>	RC16M23K <sup>(1)</sup>	0.070"	1.80	0.125"	3.20
		16-14	0.059"-0.098"	1.48-2.48	RM14M30K <sup>(1)</sup>	RC14M30K <sup>(1)</sup>	0.090"	2.30	0.125"	3.20
		Stamped and formed reeled contacts See note <sup>(2)</sup> for loose piece	26-24	0.005"-0.009"	0.13-0.25	SM24M1TK6 <sup>(1)(2)</sup>	SC24M1TK6 <sup>(1)(2)</sup>	–	–	0.035"-0.062"
	22-20		0.012"-0.020"	0.32-0.52	SM20M1TK6 <sup>(1)(2)</sup>	SC20M1TK6 <sup>(1)(2)</sup>	–	–	0.047"-0.082"	1.20-2.10
	18-16		0.031"-0.059"	0.80-1.48	SM16M1TK6 <sup>(1)(2)</sup>	SC16M1TK6 <sup>(1)(2)</sup>	–	–	0.125"	3.20
	18-16		0.031"-0.059"	0.80-1.48	SM16M11TK6 <sup>(1)(2)</sup>	SC16M11TK6 <sup>(1)(2)</sup>	–	–	0.118"	3.00
	14		0.098"	2.48	SM14M1TK6 <sup>(1)(2)</sup>	SC14M1TK6 <sup>(1)(2)</sup>	–	–	0.125"	3.20
	PCB		Machined <sup>(3)</sup>	–	–	–	–	–	–	–
	Coaxial	Cable multipiece	see Page 202		–	–	–	–	–	–
Cable monocrimp		see Page 202		–	–	–	–	–	–	
Twisted pair multipiece		see Page 202		–	–	–	–	–	–	
Twisted pair monocrimp		see Page 202		–	–	–	–	–	–	
Fiber optic	POF contacts (Plastic optical fiber)	–	–	–	–	–	–	–	–	
Hand solder	Loaded in the connector	14-18	0.098"-0.031"	2.48-0.80	–	–	–	–	–	

(1) Example of plating, for other plating see Page 198

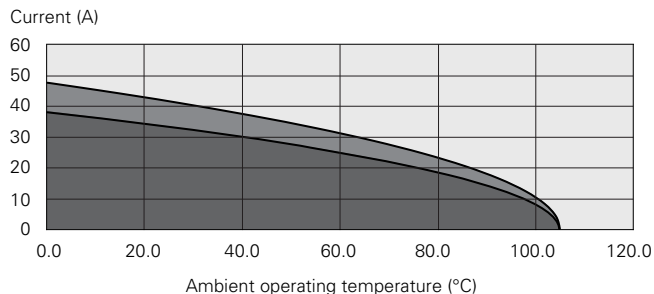
(2) Loose piece contact available by adding "L" after the "M" for the contact size and the plating. Example: SM20M1TK6 becomes SM20ML1TK6

(3) for dimensions see Page 205

## Electrical characteristics

UL	CSA	IEC
UTSX 1613 23A 600V with AWG12 wire	23A 600V with AWG12 wire	23A 160V 2.5kV 3

## UTSX 1613 derating curves

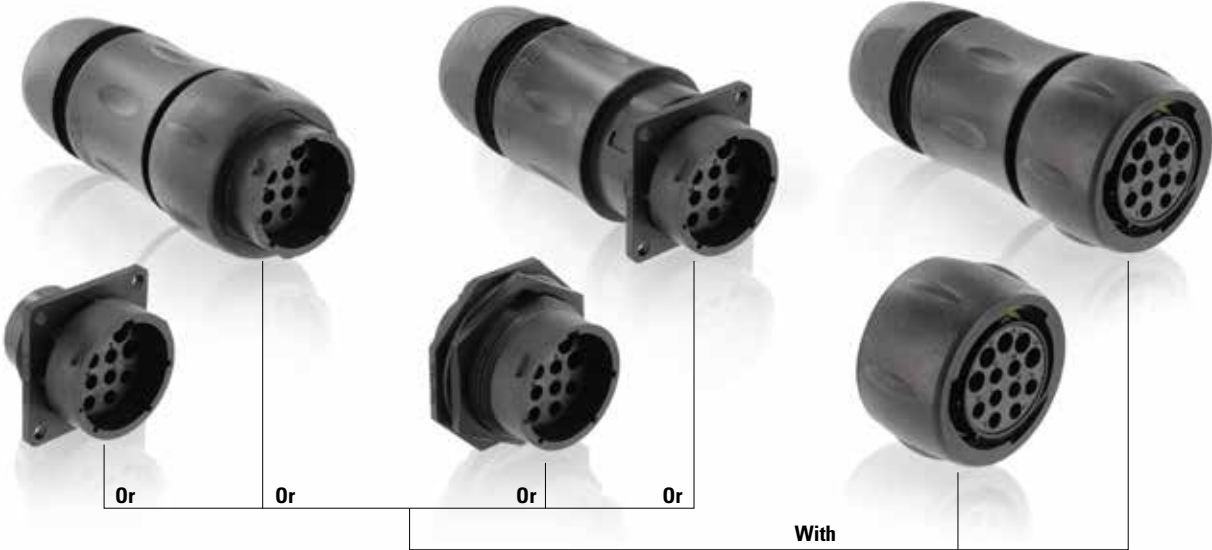


- Current use
- Limited use
- Not recommended use

### Test conditions

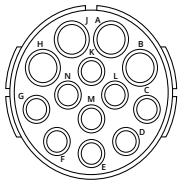
Contact used: machined contacts  
Wires used: 12 AWG

Derating curves based on continuous current application.



**Connector part number**

**UTSX 1813**



13 contacts  
23A/600V per UL 1977  
with AWG12 wire

Contact type	Connector type	Backshell	Part number Male insert	Female insert
Crimp contacts supplied separately see <b>Page 151</b>	Square flange receptacle	Without (Fig. 1)	<b>UTSX01813P</b>	<b>UTSX01813S</b>
	Square flange receptacle	Cable gland (Fig. 2)	<b>UTSX0JC1813P</b>	<b>UTSX0JC1813S</b>
	Free hanging receptacle	Cable gland (Fig. 3)	<b>UTSX1JC1813P</b>	<b>UTSX1JC1813S</b>
	Plug	Without (Fig. 4)	<b>UTSX61813P</b>	<b>UTSX61813S</b>
	Plug	Cable gland (Fig. 5)	<b>UTSX6JC1813P</b>	<b>UTSX6JC1813S</b>
	Jam nut receptacle	Without (Fig. 6)	<b>UTSX71813P</b>	<b>UTSX71813S</b>
	Jam nut receptacle with stand off and with hold down clips	Without (Fig. 8)	<b>UTSX71813P32</b>	<b>UTSX71813S32</b>
PCB contacts supplied separately see <b>Page 151</b>	Square flange receptacle	Without (Fig. 1)	<b>UTSX01813P</b>	<b>UTSX01813S</b>
	Jam nut receptacle	Without (Fig. 7)	<b>UTSX71813P</b>	<b>UTSX71813S</b>

For discrimination/keying methods see **Page 223**

**Overmolded cable assembly part numbers**

Please contact us directly for overmolded cable assemblies.

# Souriau UTSX series

1813 (Shell size 18, 5 x #12, 8 x #16)

## Dimensions (For mated connector lengths see Page 215)

### Square flange receptacle - UTSX0 and UTSX0JC

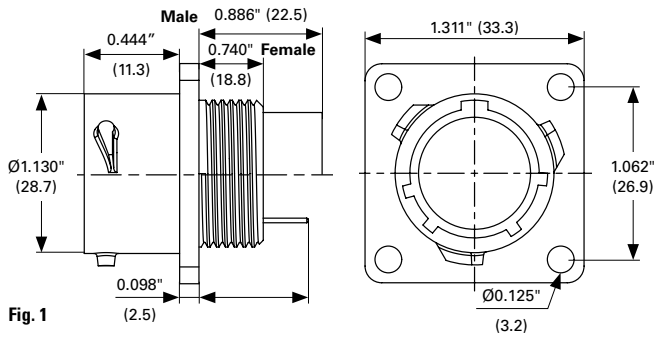


Fig. 1

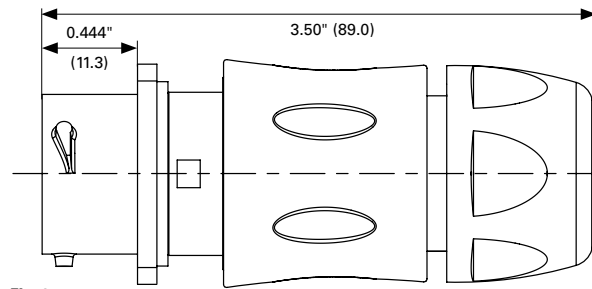


Fig. 2

Cable diameter acceptance: standard seal: from 0.512" to 0.709" (13 to 18), reduced seal: from 0.433" to 0.590" (11 to 15).

### Free hanging - UTSX1JC and UTSXGJC

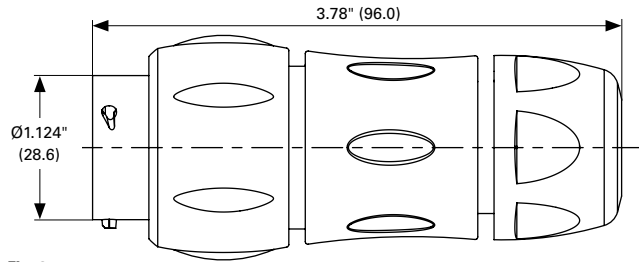


Fig. 3

Cable diameter acceptance: standard seal: from 0.512" to 0.709" (13 to 18), reduced seal: from 0.433" to 0.590" (11 to 15).

### Plug - UTSX6 and UTSX6JC

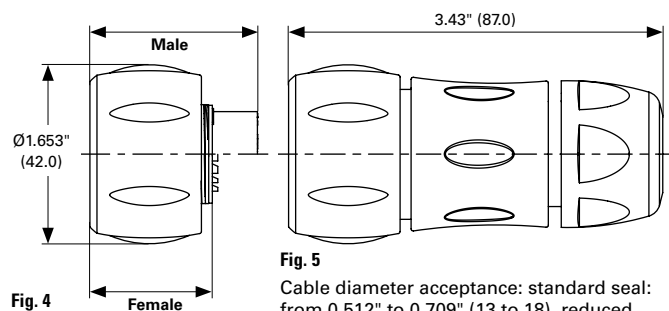


Fig. 4

Fig. 5

Cable diameter acceptance: standard seal: from 0.512" to 0.709" (13 to 18), reduced seal: from 0.433" to 0.590" (11 to 15).

### Jam nut receptacle UTSX7

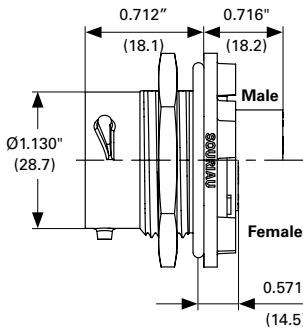


Fig. 6

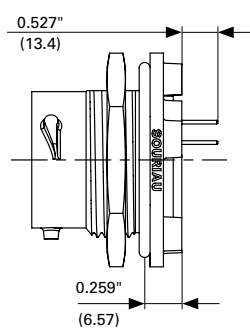


Fig. 7

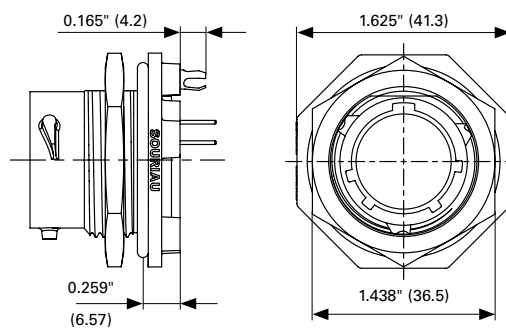
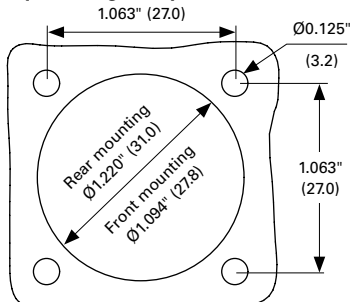


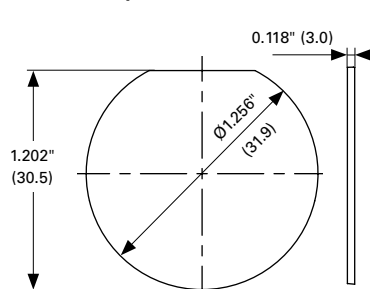
Fig. 8

### Panel cut out

#### Square flange receptacle - UTSX0



#### Jam nut receptacle - UTSX7



Dimensions in inches (millimeters)

## Accessories

### Jam nut and free hanging receptacle sealing caps



Description	Part number
IP68	UTS18DCG
IP68 - Metal terminal	UTS18DCGR

### Square flange sealing cap



Description	Part number
IP68 - Metal terminal	UTS18DCGE

### Plug sealing cap



Description	Part number
IP68	UTS618DCG

### Plastic protective cap



Part number receptacle cap	Part number plug cap
85005590A	85005599

### Gasket



Part number
UTFD16B

### Color coding rings



Description	Part number receptacles	Part number plugs
G for Green	UTS718CCRG	UTS618CCRG
Y for Yellow	UTS718CCRY	UTS618CCRY
R for Red	UTS718CCRR	UTS618CCRR

# Souriau UTSX series

1813 (Shell size 18, 5 x #12, 8 x #16)

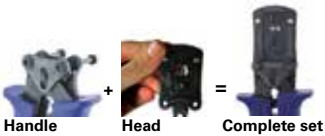
## Tooling

### Tooling



Description	Part number
Handle (without head)	<b>Shandles</b>
Box containing handle and several crimp tooling	<b>Toolkit</b>

### Crimp tooling (without Shandles)



Contact size	Contacts	Part number of Head
Standard contacts #16 Ø 0.062" (1.6)	RM/RC 28M1K <sup>(1)</sup>	S16RCM20*
	RM/RC 24M9K <sup>(1)</sup>	S16RCM20*
	RM/RC 20M13K <sup>(1)</sup>	S16RCM20*
	RM/RC 20M12K <sup>(1)</sup>	S16RCM20*
	RM/RC 16M23K <sup>(1)</sup>	S16RCM16*
	RM/RC 14M30K <sup>(1)</sup>	S16RCM14*
	SM/SC 24ML1TK6 <sup>(1)</sup>	S16SCM20*
	SM/SC 20ML1TK6 <sup>(1)</sup>	S16SCM20*
	SM/SC 16ML1TK6 <sup>(1)</sup>	S16SCML1*
	SM/SC 14ML1TK6 <sup>(1)</sup>	S16SCML1*
	SM/SC 16ML11TK6 <sup>(1)</sup>	S16SCML11*

(1) Example of plating, for other plating options see **Page 198**  
\* Heads to be used with handle PN: SHANDLES

### #16, #12 and #8 machined contacts



Description	Part number
Crimp tool	<b>M20S-1J</b>
Die casts and stop bushings	See <b>Page 210</b>

### Extraction tool #16



Description	Part number
<b>Fig. 1</b>	<b>RX2025GE1</b>
<b>Fig. 2</b> - Long endurance tool	<b>RX2031J</b>

### Crimp tooling #12



Contact size	Part number hand tool	Part number positioner + locator setting
Standard contacts #12 Ø 0.094" (2.4)	M317	VGE10077A

**Contacts #12**

Contact style	Contact type	Cable acceptance		Part number		Wire Ø max		Insulator Ø max		
		AWG	inch <sup>2</sup>	mm <sup>2</sup>	Male	Female	inch	mm	inch	mm
Crimp contacts	Machined	20	0.020"	0.52	82911457NA	82911456A	0.034"	0.87	0.192"	4.90
		20	0.020"	0.52	82911459NA	82911458A	0.044"	1.12	0.192"	4.90
		18	0.031"	0.80	82911461NA	82911460A	0.055"	1.42	0.192"	4.90
		16	0.059"	1.48	82911463NA	82911462A	0.067"	1.72	0.192"	4.90
		14	0.098"	2.48	82911465NA	82911464A	0.087"	2.20	0.192"	4.90
		12	0.157"	4.00	82911467NA	82911466A	0.111"	2.82	0.192"	4.90

**Contacts #16**

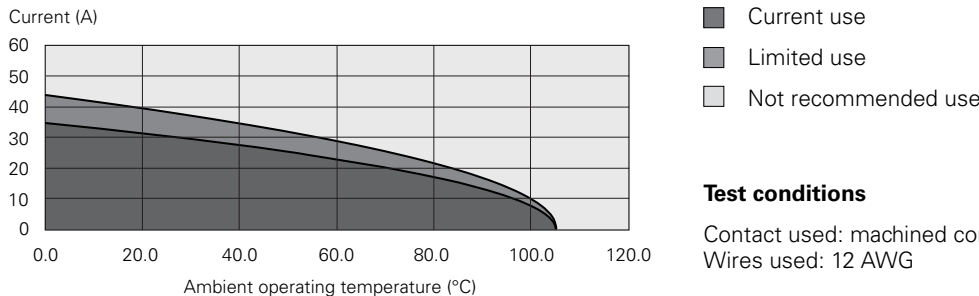
Contact style	Contact type	Cable acceptance		Part number		Wire Ø max		Insulator Ø max			
		AWG	inch <sup>2</sup>	mm <sup>2</sup>	Male	Female	inch	mm	inch	mm	
Crimp contacts	Machined	30-28	0.002"-0.003"	0.05-0.08	RM28M1K <sup>(1)</sup>	RC28M1K <sup>(1)</sup>	0.021"	0.55	0.039"	1.00	
		26-24	0.005"-0.009"	0.13-0.25	RM24M9K <sup>(1)</sup>	RC24M9K <sup>(1)</sup>	0.031"	0.80	0.062"	1.58	
		22-20	0.012"-0.020"	0.32-0.52	RM20M13K <sup>(1)</sup>	RC20M13K <sup>(1)</sup>	0.045"	1.15	0.070"	1.80	
		22-20	0.012"-0.020"	0.32-0.52	RM20M12K <sup>(1)</sup>	RC20M12K <sup>(1)</sup>	0.045"	1.15	0.086"	2.20	
		20-16	0.020"-0.059"	0.52-1.48	RM16M23K <sup>(1)</sup>	RC16M23K <sup>(1)</sup>	0.070"	1.80	0.125"	3.20	
		16-14	0.059"-0.098"	1.48-2.48	RM14M30K <sup>(1)</sup>	RC14M30K <sup>(1)</sup>	0.090"	2.30	0.125"	3.20	
		Stamped and formed reeled contacts See note <sup>(2)</sup> for loose piece	26-24	0.005"-0.009"	0.13-0.25	SM24M1TK6 <sup>(1)(2)</sup>	SC24M1TK6 <sup>(1)(2)</sup>	–	–	0.035"-0.062"	0.90-1.58
	22-20		0.012"-0.020"	0.32-0.52	SM20M1TK6 <sup>(1)(2)</sup>	SC20M1TK6 <sup>(1)(2)</sup>	–	–	0.047"-0.082"	1.20-2.10	
	18-16		0.031"-0.059"	0.80-1.48	SM16M1TK6 <sup>(1)(2)</sup>	SC16M1TK6 <sup>(1)(2)</sup>	–	–	0.125"	3.20	
	18-16		0.031"-0.059"	0.80-1.48	SM16M11TK6 <sup>(1)(2)</sup>	SC16M11TK6 <sup>(1)(2)</sup>	–	–	0.118"	3.00	
	14		0.098"	2.48	SM14M1TK6 <sup>(1)(2)</sup>	SC14M1TK6 <sup>(1)(2)</sup>	–	–	0.125"	3.20	
	PCB		Machined <sup>(3)</sup>	–	–	–	–	–	–	–	–
	Coaxial		Cable multipiece	see Page 202	–	–	RMDXK10D28	RCDXK1D28	–	–	–
		Cable monocrimp	see Page 202	–	–	RMDX60xxD28	RCDX60xxD28	–	–	–	–
Twisted pair multipiece		see Page 202	–	–	RMDXK10D28 + yorx090	RCDXK1D28 + yorx090	–	–	–	–	
Twisted pair monocrimp		see Page 202	–	–	RMDX60xxD28	RCDX60xxD28	–	–	–	–	
Fiber optic	POF contacts (Plastic optical fiber)	–	–	–	–	–	–	–	–		
Hand solder	Loaded in the connector	14-18	0.098"-0.031"	2.48-0.80	–	–	–	–	–	–	

(1) Example of plating, for other plating see Page 198  
 (2) Loose piece contact available by adding "L" after the "M" for the contact size and the plating. Example: SM20M1TK6 becomes SM20ML1TK6  
 (3) for dimensions see Page 205

**Electrical characteristics**

UL	CSA	IEC
UTSX 1813 23A 600V with AWG12	23A 600V with AWG12	23A 160V 2.5kV 3

**UTSX 1813 derating curves**



Derating curves based on continuous current application.

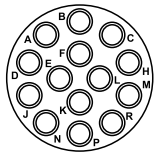
# Souriau UTSX series

12E14/12D14 (Shell size 12, 14x20)



## Connector part number

### UTSX 12E14/12D14



14 contacts  
4.5A/250V per  
UL 1977 with  
AWG20 wire

Contact type	Connector type	Backshell	Part number Male insert	Female insert
Hand solder electrical contacts loaded see <b>Page 155</b>	Square flange receptacle	Without (Fig. 1)	<b>UTSX012E14P</b>	<b>UTSX012E14S</b>
	Plug	Without (Fig. 2)	<b>UTSX612E14P</b>	<b>UTSX612E14S</b>
	Plug	Cable gland (Fig. 3)	<b>UTSX6JC12E14P</b>	<b>UTSX6JC12E14S</b>
	Jam nut receptacle	Without (Fig. 4)	<b>UTSX712E14P</b>	<b>UTSX712E14S</b>
PCB contacts loaded see <b>Page 155</b>	Square flange receptacle	Without (Fig. 1)	<b>UTSX012D14P</b>	<b>UTSX012D14S</b>
	Jam nut receptacle with stand off and without hold down clip	Without (Fig. 5)	<b>UTSX712D14P</b>	<b>UTSX712D14S</b>
	Jam nut receptacle with stand off and with hold down clips	Without (Fig. 6)	<b>UTSX712D14P32</b>	<b>UTSX712D14S32</b>

For discrimination/keying methods see **Page 223**

Sealed unmated

## Overmolded cable assembly part numbers

Please contact us directly for overmolded cable assemblies.

**Dimensions** (For mated connector lengths see Page 215)

**Square flange receptacle - UTSX0**

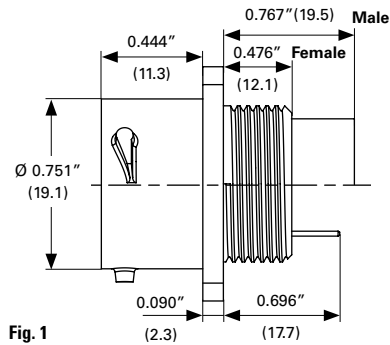
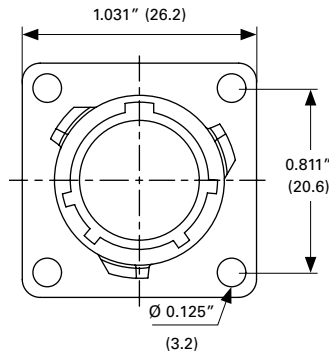


Fig. 1



**Plug - UTSX6 and UTSX6JC**

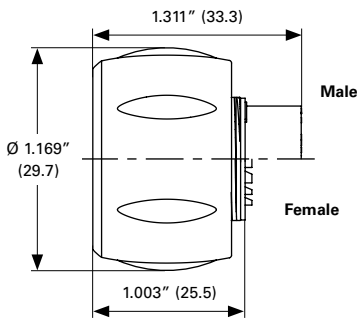


Fig. 2

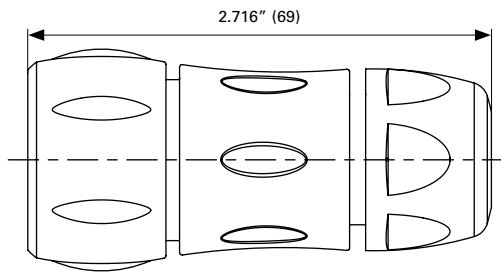


Fig. 3

Cable diameter acceptance: standard seal: from 0.098" to 0.472" (5 to 12), reduced seal: from 0.118" to 0.354" (3 to 9)

**Jam nut receptacle UTSX7**

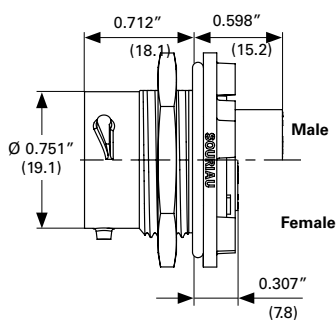


Fig. 4

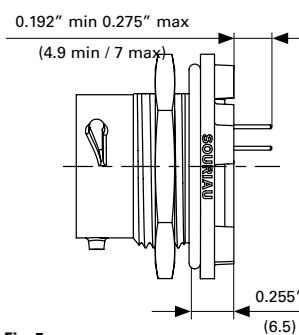


Fig. 5

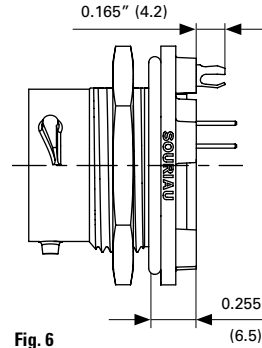
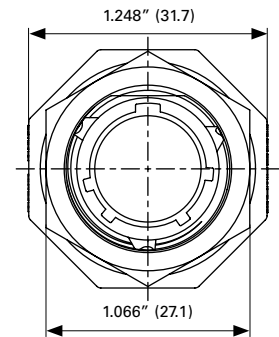
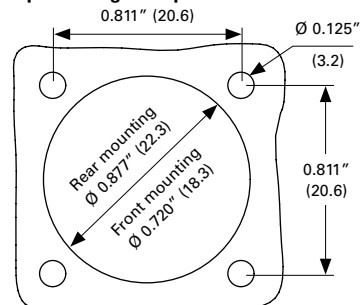


Fig. 6

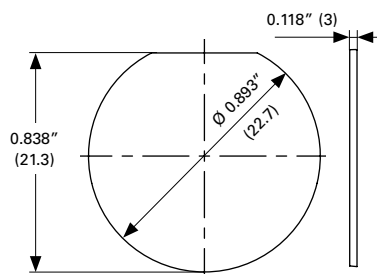


**Panel cut out**

**Square flange receptacle - UTSX0**



**Jam nut receptacle - UTSX7**



Dimensions in inches (millimeters)

# Souriau UTSX series

12E14/12D14 (Shell size 12, 14x20)

## Accessories

### Jam nut and free hanging receptacle sealing caps



Description	Part number
IP68	UTS12DCG
IP68 - Metal terminal	UTS12DCGR

### Plug sealing cap



Description	Part number
IP68	UTX612DCG

### Plastic protective cap



Part number receptacle cap	Part number plug cap
85005587A	85005596

### Gasket



Part number
UTFD13B

### Color coding rings



Description	Part number receptacles	Part number plugs
G for Green	UTS712CCRG	UTS612CCRG
Y for Yellow	UTS712CCRY	UTS612CCRY
R for Red	UTS712CCRR	UTS612CCRR

### Square flange sealing cap



Description	Part number
IP68 - Metal terminal	UTS12DCGE

### Contacts #20

Contact type	Plating	Cable acceptance		Wire stripping length		
		(AWG)	inch <sup>2</sup>	mm <sup>2</sup>	inch	mm
Hand solder Loaded in the connector	Min 0.4µ gold over 0.8µ Ni	20-18	0.020"-0.031"	0.32-0.80	0.149"	3.8
PCB Machined <sup>(1)</sup>	Min 0.4µ gold over 0.8µ Ni	-	-	-	-	-

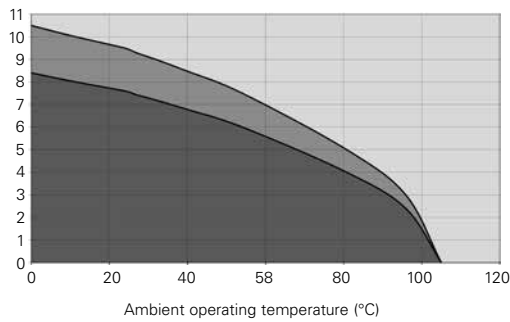
(1) For dimensions see **Pages 205**

### Electrical characteristics

UL	CSA	IEC
4.5A 250V with AWG20 wire	4.5A 250V with AWG20 wire	5A 32V 1.5kV 3

### UTSX 12E4/12D4 derating curves

Current (A)



- Current use
- Limited use
- Not recommended use

#### Test conditions

Contact used: machined contacts  
Wires used: 20 AWG

Derating curves based on continuous current application.

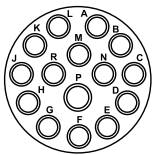
# Souriau UTSX series

14E15/14D15 (Shell size 14, 14x#20, 1#16)



## Connector part number

### UTSX 14E15/14D15



15 contacts  
 12A 600V per UL1977  
 with AWG16 wire 5A  
 250V per UL1977 with  
 AWG20 wire  
 (qualification pending)

Contact type	Connector type	Backshell	Part number Male insert	Female insert
Hand solder electrical contacts loaded see <b>Page 159</b>	Square flange receptacle	Without (Fig. 1)	<b>UTSX014E15P</b>	<b>UTSX014E15S</b>
	Plug	Without (Fig. 2)	<b>UTSX614E15P</b>	<b>UTSX614E15S</b>
	Plug	Cable gland (Fig. 3)	<b>UTSX6JC14E15P</b>	<b>UTSX6JC14E15S</b>
PCB contacts loaded see <b>Page 159</b>	Jam nut receptacle	Without (Fig. 4)	<b>UTSX714E15P</b>	<b>UTSX714E15S</b>
	Square flange receptacle	Without (Fig. 2)	<b>UTSX014D15P</b>	<b>UTSX014D15S</b>
	Jam nut receptacle with stand off and without hold down clip	Without (Fig. 5)	<b>UTSX714D15P</b>	<b>UTSX714D15S</b>
	Jam nut receptacle with stand off and with hold down clips	Without (Fig. 6)	<b>UTSX714D15P32</b>	<b>UTSX714D15S32</b>

For discrimination/keying methods see **Page 223**

Sealed unmated

## Overmolded cable assembly part numbers

Please contact us directly for overmolded cable assemblies.

**Dimensions** (For mated connector lengths see Page 215)

**Square flange receptacle - UTSX0**

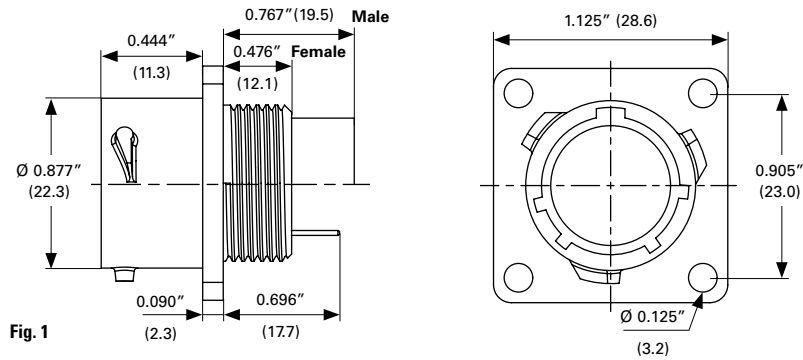


Fig. 1

**Plug - UTSX6 and UTSX6JC**

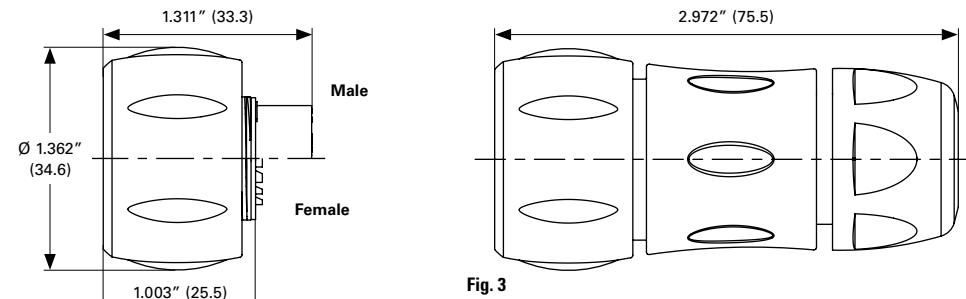


Fig. 2

Fig. 3  
Cable diameter acceptance: standard seal: from 0.275" to 0.551" (7 to 14), reduced seal: from 0.196" to 0.472" (5 to 12)

**Jam nut receptacle UTSX7**

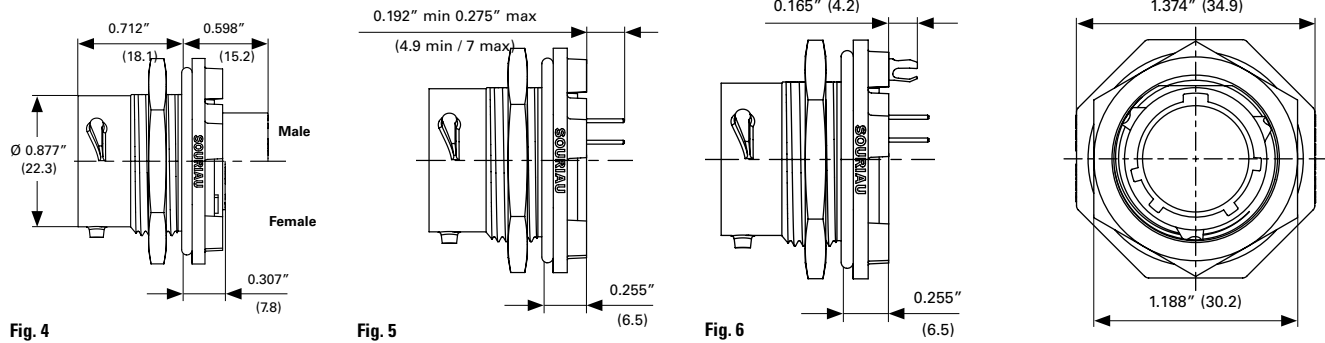


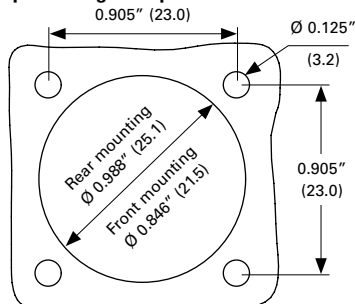
Fig. 4

Fig. 5

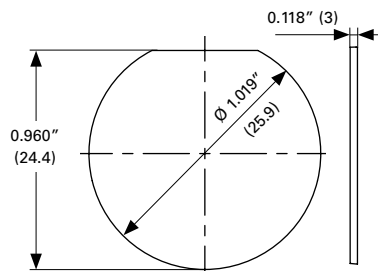
Fig. 6

**Panel cut out**

**Square flange receptacle - UTSX0**



**Jam nut receptacle - UTSX7**



Dimensions in inches (millimeters)

# Souriau UTSX series

14E15/14D15 (Shell size 14, 14x#20, 1#16)

## Accessories

### Jam nut and free hanging receptacle sealing caps



Description	Part number
IP68	<b>UTS14DCG</b>
IP68 - Metal terminal	<b>UTS14DCGR</b>

### Square flange sealing cap



Description	Part number
IP68 - Metal terminal	<b>UTS14DCGE</b>

### Plug sealing cap



Description	Part number
IP68	<b>UTX614DCG</b>

### Plastic protective cap



Part number receptacle cap	Part number plug cap
<b>85005588A</b>	<b>85005597</b>

### Gasket



Part number
<b>UTFD14B</b>

### Color coding rings



Description	Part number receptacles	Part number plugs
G for Green	<b>UTS714CCRG</b>	<b>UTS614CCRG</b>
Y for Yellow	<b>UTS714CCRY</b>	<b>UTS614CCRY</b>
R for Red	<b>UTS714CCRR</b>	<b>UTS614CCRR</b>

### Contacts

Contact size	Contact type	Plating	Cable acceptance (AWG)	Cable acceptance		Wire stripping length	
				inch <sup>2</sup>	mm <sup>2</sup>	inch	mm
#16	Hand solder Loaded in the connector	Min 0.4µ gold over 0.8µ Ni	18 - 14	0.032"-0.081"	0.823 - 2.08	0.196"	5
	PCB Machined <sup>(1)</sup>	Min 0.4µ gold over 0.8µ Ni	-	-	-	-	-
#20	Hand solder Loaded in the connector	Min 0.4µ gold over 0.8µ Ni	20 - 18	0.012"-0.029"	0.32 - 0.75	0.149"	3.8
	PCB Machined <sup>(1)</sup>	Min 0.4µ gold over 0.8µ Ni	-	-	-	-	-

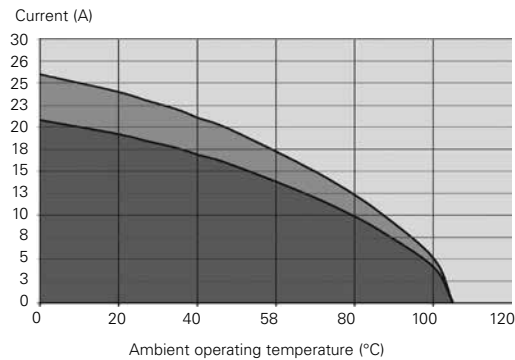
(1) For dimensions see **Pages 205**

### Electrical characteristics

UL	CSA	IEC
12A 600V with AWG16* 5A 250V with AWG20*	12A 600v with AWG16* 5A 250V with AWG20*	4A 50V 1.5kV 3

\* qualification pending

### UTSX 14E15/14D15 derating curves



- Current use
- Limited use
- Not recommended use

#### Test conditions

Contact used: machined contacts  
Wires used: 16 AWG

Derating curves based on continuous current application.

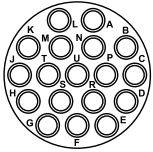
# Souriau UTSX series

14E18/14D18 (Shell size 14, 18x#20)



## Connector part number

### UTSX 14E18/14D18



18 contacts  
4A/250V per  
UL 1977 with  
AWG20 wire

Contact type	Connector type	Backshell	Part number Male insert	Female insert
Hand solder electrical contacts loaded see <b>Page 163</b>	Square flange receptacle	Without (Fig. 1)	<b>UTSX014E18P</b>	<b>UTSX014E18S</b>
	Plug	Without (Fig. 2)	<b>UTSX614E18P</b>	<b>UTSX614E18S</b>
	Plug	Cable gland (Fig. 3)	<b>UTSX6JC14E18P</b>	<b>UTSX6JC14E18S</b>
	Jam nut receptacle	Without (Fig. 4)	<b>UTSX714E18P</b>	<b>UTSX714E18S</b>
PCB contacts loaded see <b>Page 163</b>	Square flange receptacle	Without (Fig. 2)	<b>UTSX014D18P</b>	<b>UTSX014D18S</b>
	Jam nut receptacle with stand off and without hold down clip	Without (Fig. 5)	<b>UTSX714D18P</b>	<b>UTSX714D18S</b>
	Jam nut receptacle with stand off and with hold down clips	Without (Fig. 6)	<b>UTSX714D18P32</b>	<b>UTSX714D18S32</b>

For discrimination/keying methods see **Page 223**

Sealed unmated

### Overmolded cable assembly part numbers

Please contact us directly for overmolded cable assemblies.

## Dimensions (For mated connector lengths see Page 215)

### Square flange receptacle - UTSX0

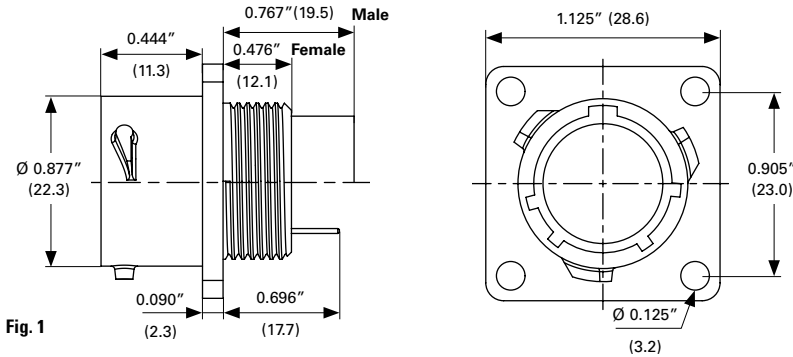


Fig. 1

### Plug - UTSX6 and UTSX6JC

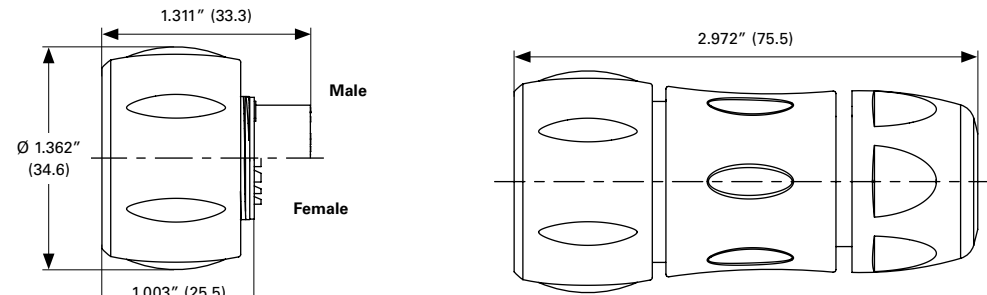


Fig. 2

Fig. 3

Cable diameter acceptance: standard seal: from 0.275" to 0.551" (7 to 14), reduced seal: from 0.196" to 0.472" (5 to 12)

### Jam nut receptacle UTSX7

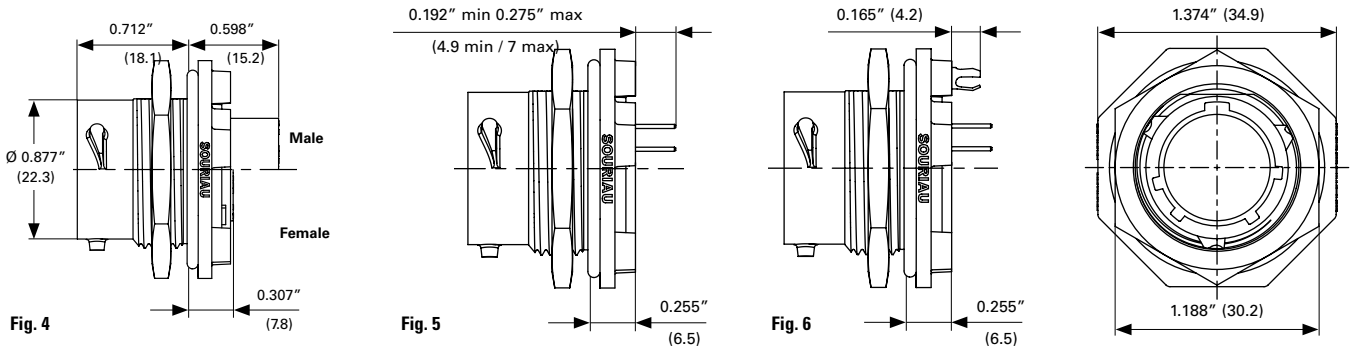


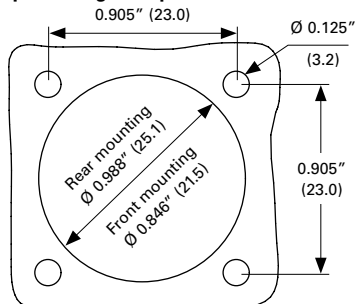
Fig. 4

Fig. 5

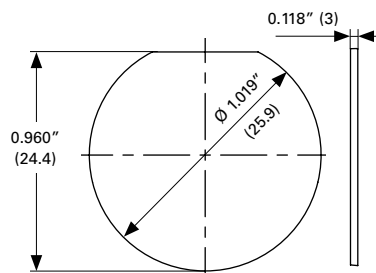
Fig. 6

### Panel cut out

#### Square flange receptacle - UTSX0



#### Jam nut receptacle - UTSX7



Dimensions in inches (millimeters)

# Souriau UTSX series

14E18/14D18 (Shell size 14, 18x#20)

## Accessories

### Jam nut and free hanging receptacle sealing caps



Description	Part number
IP68	<b>UTS14DCG</b>
IP68 - Metal terminal	<b>UTS14DCGR</b>

### Square flange sealing cap



Description	Part number
IP68 - Metal terminal	<b>UTS14DCGE</b>

### Plug sealing cap



Description	Part number
IP68	<b>UTX614DCG</b>

### Plastic protective cap



Part number receptacle cap	Part number plug cap
<b>85005588A</b>	<b>85005597</b>

### Gasket



Part number
<b>UTFD14B</b>

### Color coding rings



Description	Part number receptacles	Part number plugs
G for Green	<b>UTS714CCRG</b>	<b>UTS614CCRG</b>
Y for Yellow	<b>UTS714CCRY</b>	<b>UTS614CCRY</b>
R for Red	<b>UTS714CCRR</b>	<b>UTS614CCRR</b>

### Contacts #20

Contact type	Plating	Cable acceptance (AWG)	Cable acceptance		Wire stripping length	
			inch <sup>2</sup>	mm <sup>2</sup>	inch	mm
Hand solder Loaded in the connector	Min 0.4μ gold over 0.8μ Ni	20-18	0.020"-0.031"	0.32-0.80	0.149"	3.8
PCB Machined <sup>(1)</sup>	Min 0.4μ gold over 0.8μ Ni	–	–	–	–	–

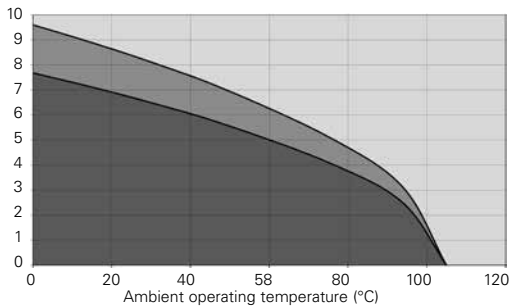
(1) For dimensions see **Page 205**

### Electrical characteristics

UL	CSA	IEC
4A 250V with AWG20 wire	4A 250V with AWG20 wire	5A 50V 1.5kV 3

### UTSX 14E18/14D18 derating curves

Current (A)



- Current use
- Limited use
- Not recommended use

#### Test conditions

Contact used: machined contacts  
Wires used: 20 AWG

Derating curves based on continuous current application.

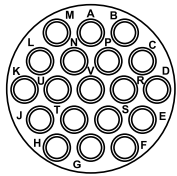
# Souriau UTSX series

1419 - 14E19/14D19 (Shell size 14, 19x#20)



## Connector part number

### UTSX 1419



19 contacts + ground  
4.5A/250V per UL 1977  
with AWG20 wire

### 14E19/14D19

19 contacts + ground  
4A/250V per UL 1977  
with AWG20 wire

Contact type	Connector type	Backshell	Part number Male insert	Female insert
Crimp contacts supplied separately see <b>Page 168</b>	Square flange receptacle	Without (Fig. 1)	<b>UTSX01419P</b>	<b>UTSX01419S</b>
	Square flange receptacle	Cable gland (Fig. 2)	<b>UTSX0JC1419P</b>	<b>UTSX0JC1419S</b>
	Free hanging receptacle	Cable gland (Fig. 3)	<b>UTSX1JC1419P</b>	<b>UTSX1JC1419S</b>
	Plug	Without (Fig. 4)	<b>UTSX61419P</b>	<b>UTSX61419S</b>
	Plug	Cable gland (Fig. 5)	<b>UTSX6JC1419P</b>	<b>UTSX6JC1419S</b>
	Jam nut receptacle	Without (Fig. 6)	<b>UTSX71419P</b>	<b>UTSX71419S</b>
PCB contacts supplied separately see <b>Page 168</b>	Square flange receptacle	Without (Fig. 1)	<b>UTSX01419P</b>	<b>UTSX01419S</b>
Hand solder electrical contacts loaded see <b>Page 168</b>	Square flange receptacle	Without (Fig. 1)	<b>UTSX014E19P</b>	<b>UTSX014E19S</b>
	Plug	Without (Fig. 4)	<b>UTSX614E19P</b>	<b>UTSX614E19S</b>
	Plug	Cable gland (Fig. 5)	<b>UTSX6JC14E19P</b>	<b>UTSX6JC14E19S</b>
	Jam nut receptacle	Without (Fig. 6)	<b>UTSX714E19P</b>	<b>UTSX714E19S</b>
PCB contacts loaded	Square flange receptacle	Without (Fig. 3)	<b>UTSX014D19P</b>	<b>UTSX014D19S</b>
	Jam nut receptacle with stand off and without hold down clip	Without (Fig.7)	<b>UTSX714D19P</b>	<b>UTSX714D19S</b>
	Jam nut receptacle with stand off and with hold down clips	Without (Fig. 8)	<b>UTSX714D19P32</b>	<b>UTSX714D19S32</b>

Sealed unmatred

## Overmolded cable assembly part numbers

Please contact us directly for overmolded cable assemblies.

**Dimensions** (For mated connector lengths see Page 215)

**Square flange receptacle - UTSX0 and UTSX0JC**

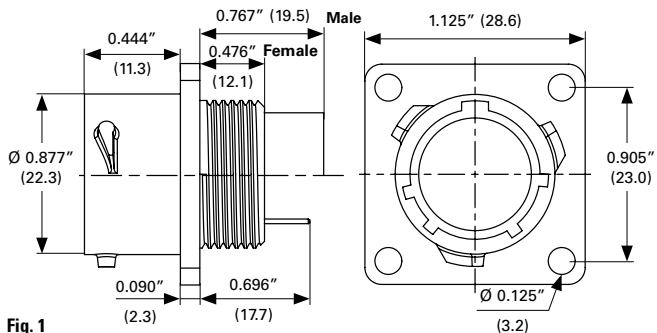


Fig. 1

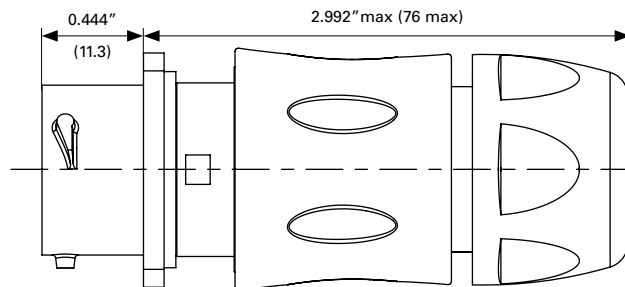


Fig. 2

Cable diameter acceptance: standard seal: from 0.275" to 0.551" (7 to 14), reduced seal: from 0.196" to 0.472" (5 to 12)

**Free hanging - UTSX1JC**

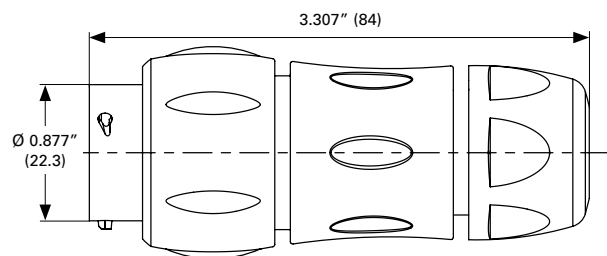


Fig. 3

Cable diameter acceptance: standard seal: from 0.275" to 0.551" (7 to 14), reduced seal: from 0.196" to 0.472" (5 to 12)

**Plug - UTSX6 and UTSX6JC**

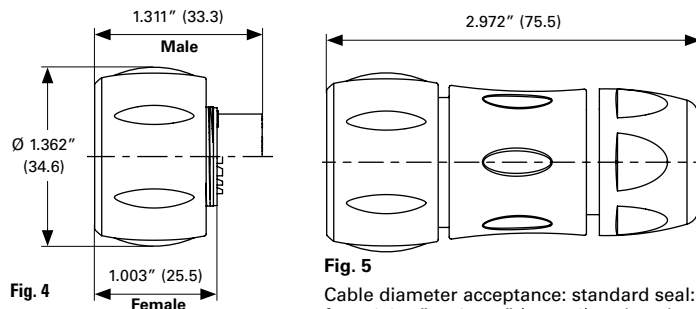


Fig. 4

Fig. 5

Cable diameter acceptance: standard seal: from 0.275" to 0.551" (7 to 14), reduced seal: from 0.196" to 0.472" (5 to 12)

**Jam nut receptacle UTSX7**

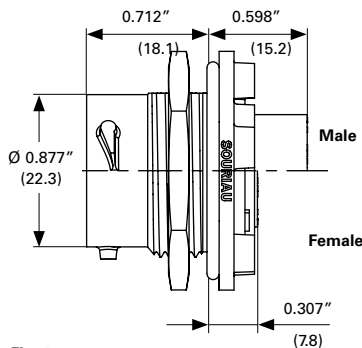


Fig. 4

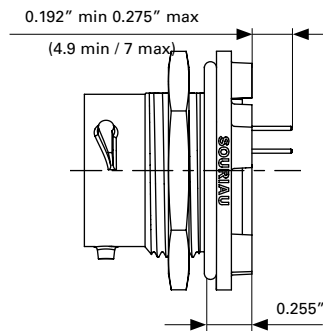


Fig. 5

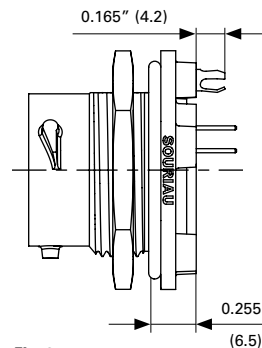
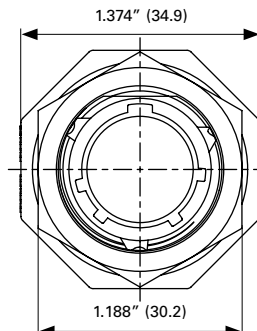
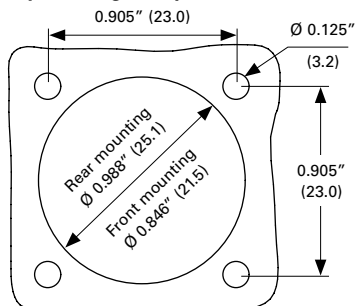


Fig. 6

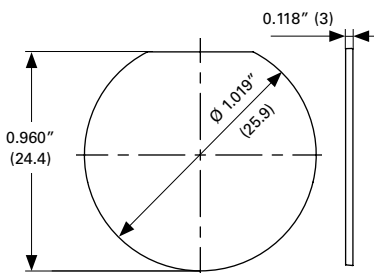


**Panel cut out**

**Square flange receptacle - UTSX0**



**Jam nut receptacle - UTSX7**



Dimensions in inches (millimeters)

# Souriau UTSX series

1419 - 14E19/14D19 (Shell size 14, 19x#20)

## Accessories

### Jam nut and free hanging receptacle sealing caps



Description	Part number
IP68	<b>UTS14DCG</b>
IP68 - Metal terminal	<b>UTS14DCGR</b>

### Square flange sealing cap



Description	Part number
IP68 - Metal terminal	<b>UTS14DCGE</b>

### Plug sealing cap



Description	Part number
IP68	<b>UTX614DCG</b>

### Plastic protective cap



Part number recep- tacle cap	Part number plug cap
85005588A	<b>85005597</b>

### Gasket



Part number
<b>UTFD14B</b>

### Color coding rings



Description	Part number receptacles	Part number plugs
G for Green	<b>UTS714CCRG</b>	<b>UTS614CCRG</b>
Y for Yellow	<b>UTS714CCRY</b>	<b>UTS614CCRY</b>
R for Red	<b>UTS714CCRR</b>	<b>UTS614CCRR</b>

## Tooling

### #20 stamped or machined contacts



Description	Part number
Handle (without head)	Shandles
Box containing handle and several crimp tooling	Toolkit

### Crimp tooling (without Shandles)



Contact size	Contacts	Part number of Head
Standard contacts #20 Ø 0.039" (1)	RM/RC 24W3K <sup>(1)</sup>	S20RCM*
	RM/RC 20W3K <sup>(1)</sup>	S20RCM*
	RM/RC 18W3K <sup>(1)</sup>	S20RCM*
	SM/SC 24WL3 <sup>(1)(2)</sup>	S20SCM20*
	SM/SC 20WL3 <sup>(1)(2)</sup>	S20SCM20*

(1) Example of plating, for other plating options see **Page 198**

(2) Loose contact

\* Heads to be used with handle PN: SHANDLES

### Extraction tool #20



Description	Part number
Contacts #20 Ø 0.039" (1)	RX20D44

# Souriau UTSX series

1419 - 14E19/14D19 (Shell size 14, 19x#20)

## Contacts #20

Contact style	Contact type	Cable acceptance			Part number		Wire Ø max		Insulator Ø max	
		AWG	inch <sup>2</sup>	mm <sup>2</sup>	Male	Female	inch	mm	inch	mm
Crimp contacts	Machined	26-24	0.005"-0.009"	0.13-0.25	<b>RM24W3K</b>	<b>RC24W3K</b>	0.031"	0.80	0.062"	1.58
		22-20	0.012"-0.020"	0.32-0.52	<b>RM20W3K</b>	<b>RC20W3K</b>	0.045"	1.15	0.070"	1.80
		20-18	0.020"-0.031"	0.52-0.80	<b>RM18W3K</b>	<b>RC18W3K</b>	0.051"	1.30	0.082"	2.10
	Stamped and formed reeled contacts See note <sup>(1)</sup> for loose piece	26-24	0.005"-0.009"	0.13-0.25	<b>SM24W3TK6<sup>(1)</sup></b>	<b>SC24W3TK6<sup>(1)</sup></b>	-	-	0.035"-0.062"	0.90-1.60
		26-24	0.005"-0.009"	0.13-0.25	<b>SM24W3S26<sup>(1)</sup></b>	<b>SC24W3S25<sup>(1)</sup></b>	-	-	0.035"-0.062"	0.90-1.60
		22-20	0.012"-0.020"	0.32-0.52	<b>SM20W3TK6<sup>(1)</sup></b>	<b>SC20W3TK6<sup>(1)</sup></b>	-	-	0.047"-0.082"	1.20-2.10
		22-20	0.012"-0.020"	0.32-0.52	<b>SM20W3S26<sup>(1)</sup></b>	<b>SC20W3S25<sup>(1)</sup></b>	-	-	0.047"-0.082"	1.20-2.10
PCB	Machined <sup>(2)</sup>	-	-	-	<b>RMW5016K</b>	<b>RCW5016K</b>	-	-	-	-

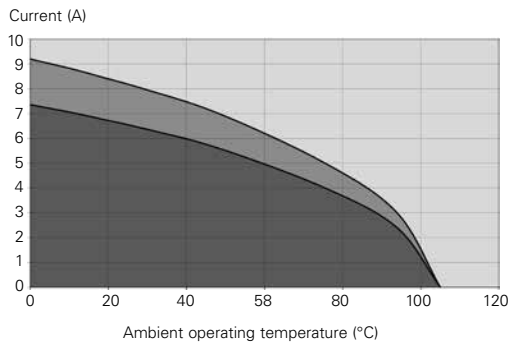
(1) Loose piece contact available by adding "L" after the "M" for the contact size and the plating. Example: SM20W3TK6 becomes SM20WL3TK6  
(2) for dimensions see **Page 205**

Contact style	Contact type	Plating	Cable acceptance (AWG)	Wire stripping length	
				inch	mm
Hand solder	Loaded in the connector	Min 0.4µ gold over 0.8µ Ni	20 to 18	0.149"	3.8

## Electrical characteristics

UL	CSA	IEC
UTSX 1419 4.5A 250V with AWG20 wire	3A 250V with AWG20 wire	5A 32V 1.5kV 3
UTSX 14E19/14D19 4A 250V with AWG20 wire	4A 250V with AWG20 wire	5A 32V 1.5kV 3

## UTSX 1419 - 14E19/14D19 derating curves

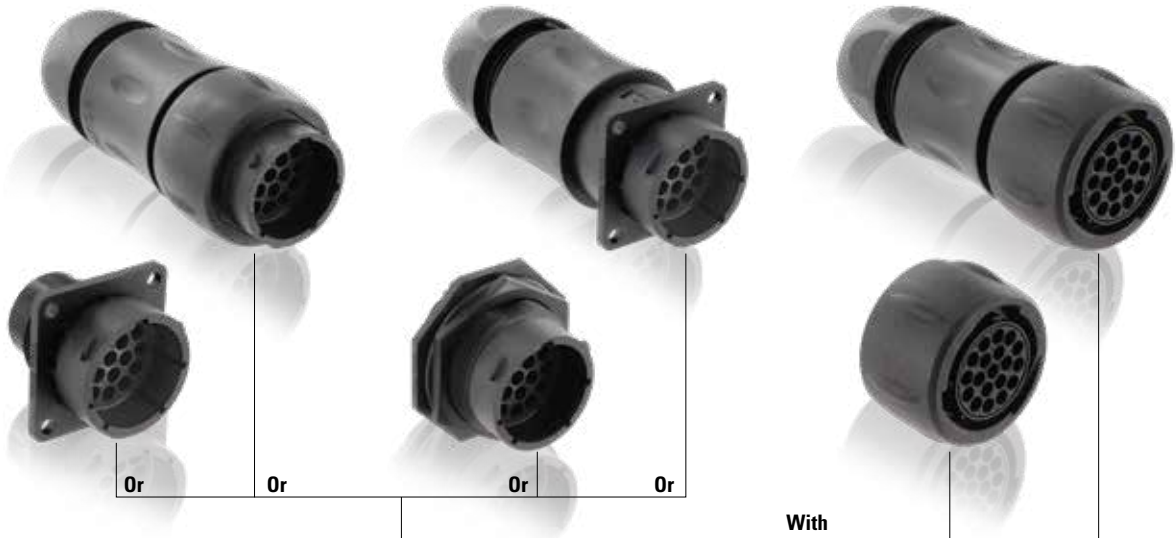


- Current use
- Limited use
- Not recommended use

### Test conditions

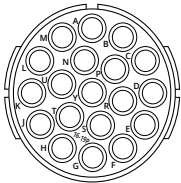
Contact used: machined contacts  
Wires used: 20 AWG

Derating curves based on continuous current application.



**Connector part number**

**UTSX 1619**



19 contacts  
9A 250V per UL 1977  
with AWG16 wire

Contact type	Connector type	Backshell	Part number Male insert	Female insert
Crimp contacts supplied separately see <b>Page 173</b>	Square flange receptacle	Without (Fig. 1)	<b>UTSX01619P</b>	<b>UTSX01619S</b>
	Square flange receptacle	Cable gland (Fig. 2)	<b>UTSX0JC1619P</b>	<b>UTSX0JC1619S</b>
	Free hanging receptacle	Cable gland (Fig. 3)	<b>UTSX1JC1619P</b>	<b>UTSX1JC1619S</b>
	Plug	Without (Fig. 4)	<b>UTSX61619P</b>	<b>UTSX61619S</b>
	Plug	Cable gland (Fig. 5)	<b>UTSX6JC1619P</b>	<b>UTSX6JC1619S</b>
	Jam nut receptacle	Without (Fig. 6)	<b>UTSX71619P</b>	<b>UTSX71619S</b>
PCB contacts supplied separately see <b>Page 173</b>	Square flange receptacle	Without (Fig. 1)	<b>UTSX01619P</b>	<b>UTSX01619S</b>
	Jam nut receptacle	Without (Fig. 7)	<b>UTSX71619P</b>	<b>UTSX71619S</b>
	Jam nut receptacle with stand off and with hold down clips	Without (Fig. 8)	<b>UTSX71619P32</b>	<b>UTSX71619S32</b>

For discrimination/keying methods see **Page 223**

**Overmolded cable assembly part numbers**

Please contact us directly for overmolded cable assemblies.

# Souriau UTSX series

1619 (Shell size 16, 19 x #16)

## Dimensions (For mated connector lengths see Page 215)

### Square flange receptacle - UTSX0 and UTSX0JC

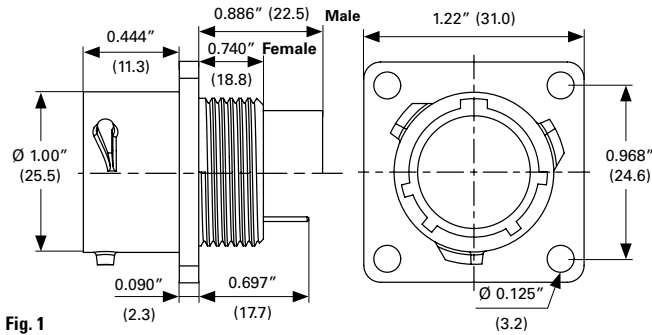


Fig. 1

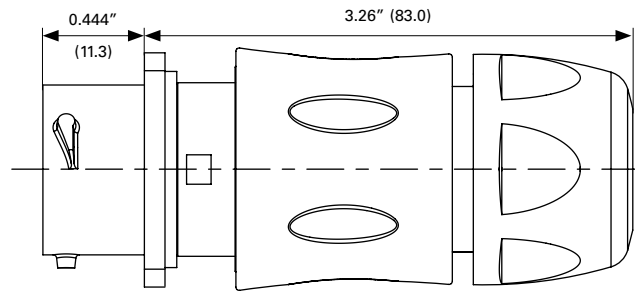


Fig. 2

Cable diameter acceptance: standard seal: from 0.472" to 0.630" (12 to 16), reduced seal: from 0.354" to 0.472" (9 to 12)

### Free hanging - UTSX1JC and UTSXGJC

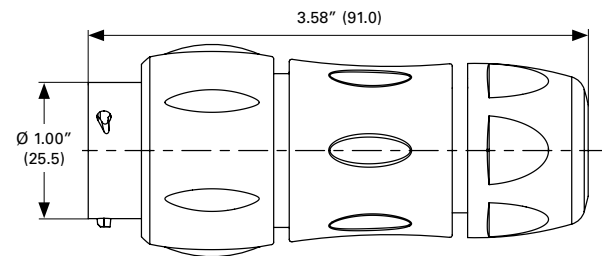


Fig. 3

Cable diameter acceptance: standard seal: from 0.472" to 0.630" (12 to 16), reduced seal: from 0.354" to 0.472" (9 to 12)

### Plug - UTSX6 and UTSX6JC

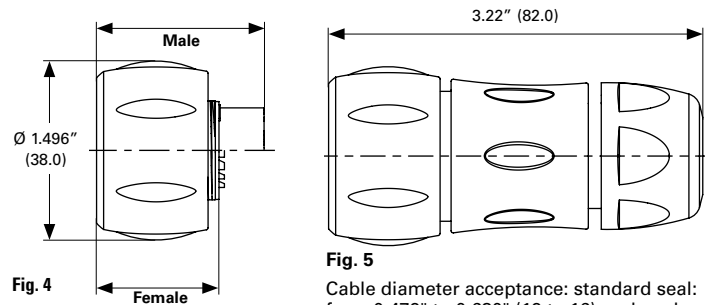


Fig. 4

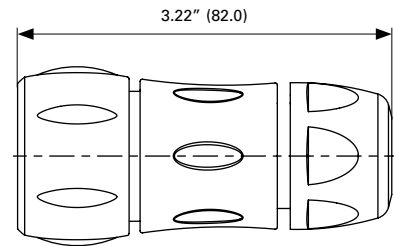


Fig. 5

Cable diameter acceptance: standard seal: from 0.472" to 0.630" (12 to 16), reduced seal: from 0.354" to 0.472" (9 to 12)

### Jam nut receptacle UTSX7

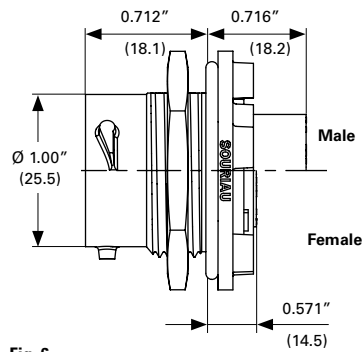


Fig. 6

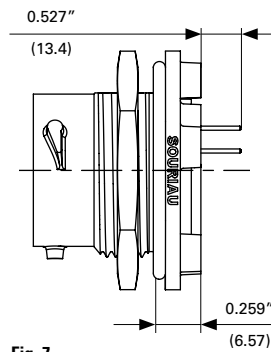


Fig. 7

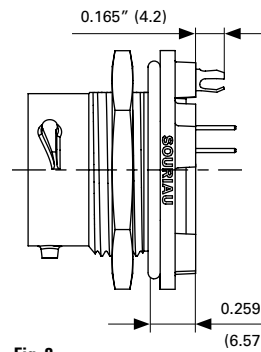
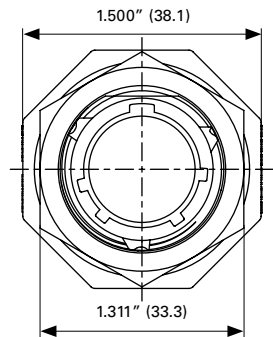
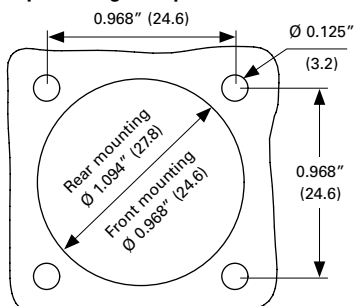


Fig. 8

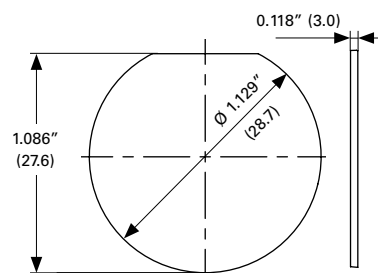


### Panel cut out

#### Square flange receptacle - UTSX0



#### Jam nut receptacle - UTSX7



Dimensions in inches (millimeters)

**Accessories**

**Jam nut and free hanging receptacle sealing caps**



Description	Part number
IP68	<b>UTS16DCG</b>
IP68 - Metal terminal	<b>UTS16DCGR</b>

**Square flange sealing cap**



Description	Part number
IP68 - Metal terminal	<b>UTS16DCGE</b>

**Plug sealing cap**



Description	Part number
IP68	<b>UTS616DCG</b>

**Plastic protective cap**



Part number receptacle cap	Part number plug cap
85005589A	<b>85005598</b>

**Gasket**



Part number
<b>UTFD15B</b>

**Color coding rings**



Description	Part number receptacles	Part number plugs
G for Green	<b>UTS716CCRG</b>	<b>UTS616CCRG</b>
Y for Yellow	<b>UTS716CCRY</b>	<b>UTS616CCRY</b>
R for Red	<b>UTS716CCRR</b>	<b>UTS616CCRR</b>

# Souriau UTSX series

1619 (Shell size 16, 19 x #16)

## Tooling

### Tooling



Description	Part number
Handle (without head)	<b>Shandles</b>
Box containing handle and several crimp tooling	<b>Toolkit</b>

### Crimp tooling (without Shandles)



Contact size	Contacts	Part number of Head
Standard contacts #16 Ø 0.062" (1.6)	RM/RC 28M1K <sup>(1)</sup>	S16RCM20*
	RM/RC 24M9K <sup>(1)</sup>	S16RCM20*
	RM/RC 20M13K <sup>(1)</sup>	S16RCM20*
	RM/RC 20M12K <sup>(1)</sup>	S16RCM20*
	RM/RC 16M23K <sup>(1)</sup>	S16RCM16*
	RM/RC 14M30K <sup>(1)</sup>	S16RCM14*
	SM/SC 24ML1TK6 <sup>(1)</sup>	S16SCM20*
	SM/SC 20ML1TK6 <sup>(1)</sup>	S16SCM20*
	SM/SC 16ML1TK6 <sup>(1)</sup>	S16SCML1*
	SM/SC 14ML1TK6 <sup>(1)</sup>	S16SCML1*
	SM/SC 16ML11TK6 <sup>(1)</sup>	S16SCML11*

(1) Example of plating, for other plating options see **Page 198**  
\* Heads to be used with handle PN: SHANGLES

### #16, #12 and #8 machined contacts



Description	Part number
Crimp tool	<b>M20S-1J</b>
Die casts and stop bushings	See <b>Page 210</b>

### Extraction tool #16

Fig. 1



Fig. 2



Description	Part number
Fig. 1	<b>RX2025GE1</b>
Fig. 2 - Long endurance tool	<b>RX2031J</b>

**Contacts #16**

Contact style	Contact type	Cable acceptance		Part number		Wire Ø max		Insulator Ø max		
		AWG	inch <sup>2</sup>	mm <sup>2</sup>	Male	Female	inch	mm	inch	mm
Crimp contacts	Machined	30-28	0.002"-0.003"	0.05-0.08	RM28M1K <sup>(1)</sup>	RC28M1K <sup>(1)</sup>	0.021"	0.55	0.039"	1.00
		26-24	0.005"-0.009"	0.13-0.25	RM24M9K <sup>(1)</sup>	RC24M9K <sup>(1)</sup>	0.031"	0.80	0.062"	1.58
		22-20	0.012"-0.020"	0.32-0.52	RM20M13K <sup>(1)</sup>	RC20M13K <sup>(1)</sup>	0.045"	1.15	0.070"	1.80
		22-20	0.012"-0.020"	0.32-0.52	RM20M12K <sup>(1)</sup>	RC20M12K <sup>(1)</sup>	0.045"	1.15	0.086"	2.20
		20-16	0.020"-0.059"	0.52-1.48	RM16M23K <sup>(1)</sup>	RC16M23K <sup>(1)</sup>	0.070"	1.80	0.125"	3.20
		16-14	0.059"-0.098"	1.48-2.48	RM14M30K <sup>(1)</sup>	RC14M30K <sup>(1)</sup>	0.090"	2.30	0.125"	3.20
	Stamped and formed reeled contacts See note <sup>(2)</sup> for loose piece	26-24	0.005"-0.009"	0.13-0.25	SM24M1TK6 <sup>(1)(2)</sup>	SC24M1TK6 <sup>(1)(2)</sup>	-	-	0.035"-0.062"	0.90-1.58
		22-20	0.012"-0.020"	0.32-0.52	SM20M1TK6 <sup>(1)(2)</sup>	SC20M1TK6 <sup>(1)(2)</sup>	-	-	0.047"-0.082"	1.20-2.10
		18-16	0.031"-0.059"	0.80-1.48	SM16M1TK6 <sup>(1)(2)</sup>	SC16M1TK6 <sup>(1)(2)</sup>	-	-	0.125"	3.20
		18-16	0.031"-0.059"	0.80-1.48	SM16M11TK6 <sup>(1)(2)</sup>	SC16M11TK6 <sup>(1)(2)</sup>	-	-	0.118"	3.00
PCB	Machined <sup>(3)</sup>	-	-	-	RM20M12E83K <sup>(1)</sup>	RC20M12E84K <sup>(1)</sup>	-	-	-	-
		-	-	-	-	-	-	-	-	-
Coaxial	Cable multipiece	see <b>Page 202</b>		-	RMDXK10D28	RCDXK1D28	-	-	-	-
	Cable monocrimp	see <b>Page 202</b>		-	RMDX60xxD28	RCDX60xxD28	-	-	-	-
	Twisted pair multipiece	see <b>Page 202</b>		-	RMDXK10D28 + yorx090	RCDXK1D28 + yorx090	-	-	-	-
	Twisted pair monocrimp	see <b>Page 202</b>		-	RMDX60xxD28	RCDX60xxD28	-	-	-	-
Fiber optic	POF contacts (Plastic optical fiber)	-	-	-	RMPOF1000	RCPOF1000B	-	-	-	-
Handsoldier	Loaded in the connector	14-18	0.098"-0.031"	2.48-0.80	-	-	-	-	-	-

(1) Example of plating, for other plating see **Page 198**

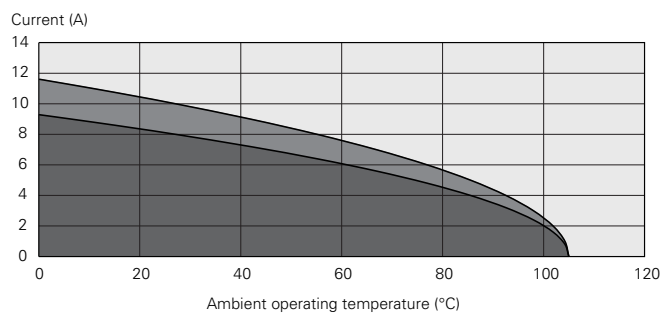
(2) Loose piece contact available by adding "L" after the "M" for the contact size and the plating. Example: SM20M1TK6 becomes SM20ML1TK6

(3) for dimensions see **Page 205**

**Electrical characteristics**

UL	CSA	IEC
UTSX 1619 9A 250V with AWG16 wire	5A 250V with AWG16 wire	8A 32V 2.0kV 3

**UTSX 1619 derating curves**



- Current use
- Limited use
- Not recommended use

**Test conditions**

Contact used: machined contacts  
Wires used: 16 AWG

Derating curves based on continuous current application.

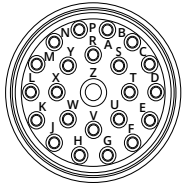
# Souriau UTSX series

16E23/16D23 (Shell size 16, 22 x #20, 1 x #16)



## Connector part number

### UTSX 16E23 / 16D23



23 contacts  
13A/250V per UL 1977  
with AWG16 wire

Contact type	Connector type	Backshell	Part number Male insert	Female insert
Hand solder electrical contacts loaded see <b>Page 177</b>	Square flange receptacle	Without (Fig. 1)	<b>UTSX016E23P</b>	<b>UTSX016E23S</b>
	Plug	Without (Fig. 4)	<b>UTSX616E23P</b>	<b>UTSX616E23S</b>
	Plug	Cable gland (Fig. 5)	<b>UTSX6JC16E23P</b>	<b>UTSX6JC16E23S</b>
	Jam nut receptacle	Without (Fig. 6)	<b>UTSX716E23P</b>	<b>UTSX716E23S</b>
	Jam nut receptacle with stand off and with hold down clips	Without (Fig. 8)	<b>UTSX716E23P32</b>	<b>UTSX716E23S32</b>
PCB contacts loaded see <b>Page 177</b>	Square flange receptacle	Without (Fig. 3)	<b>UTSX016D23P</b>	<b>UTSX016D23S</b>
	Jam nut receptacle with stand off and without hold down clip	Without (Fig.7)	<b>UTSX716D23P</b>	<b>UTSX716D23S</b>
	Jam nut receptacle with stand off and with hold down clips	Without (Fig. 8)	<b>UTSX716D23P32</b>	<b>UTSX716D23S32</b>

For discrimination/keying methods see **Page 223**

Sealed unmatd

## Overmolded cable assembly part numbers

Please contact us directly for overmolded cable assemblies.

## Dimensions (For mated connector lengths see Page 215)

### Square flange receptacle - UTSX0 and UTSX0JC

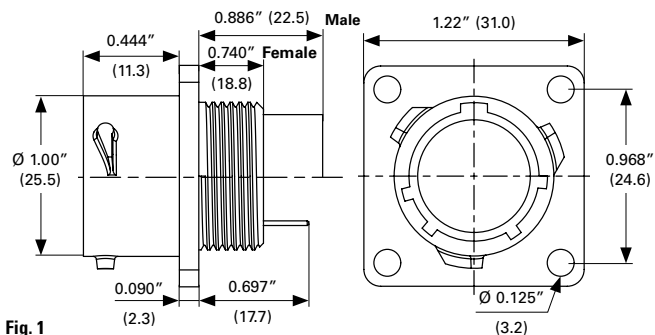


Fig. 1

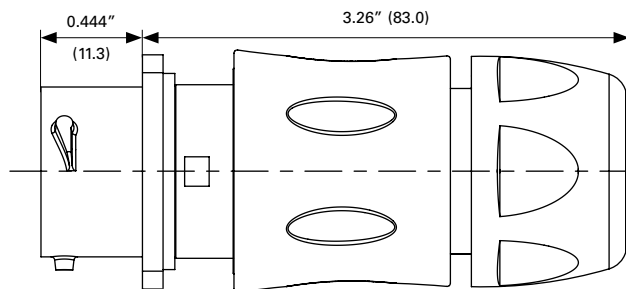


Fig. 2

Cable diameter acceptance: standard seal: from 0.472" to 0.630" (12 to 16), reduced seal: from 0.354" to 0.472" (9 to 12)

### Free hanging - UTSX1JC and UTSXGJC

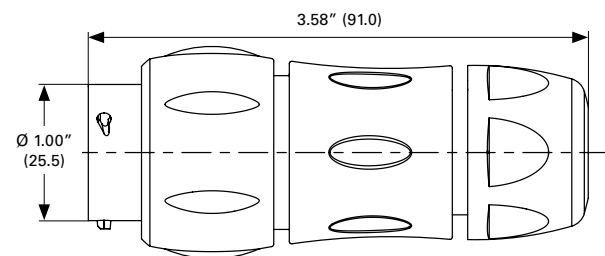


Fig. 3

Cable diameter acceptance: standard seal: from 0.472" to 0.630" (12 to 16), reduced seal: from 0.354" to 0.472" (9 to 12)

### Plug - UTSX6 and UTSX6JC

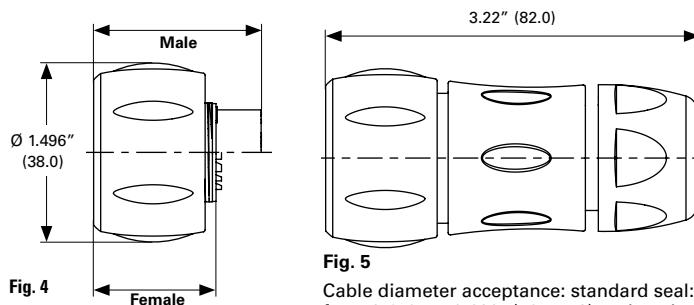


Fig. 4

Fig. 5

Cable diameter acceptance: standard seal: from 0.472" to 0.630" (12 to 16), reduced seal: from 0.354" to 0.472" (9 to 12)

### Jam nut receptacle UTSX7

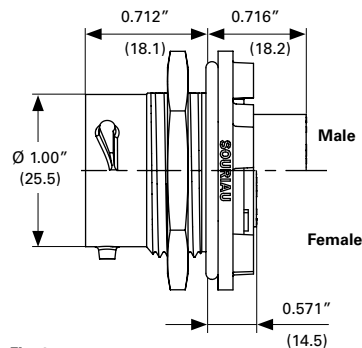


Fig. 6

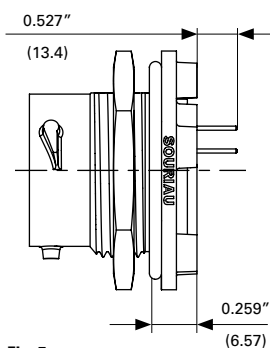


Fig. 7

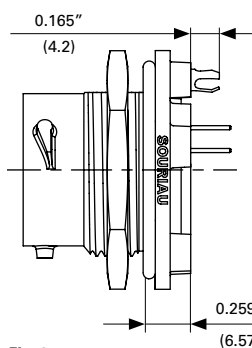
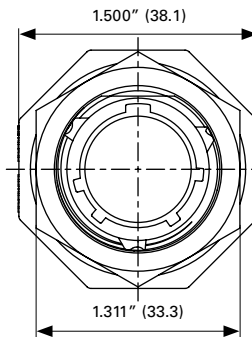
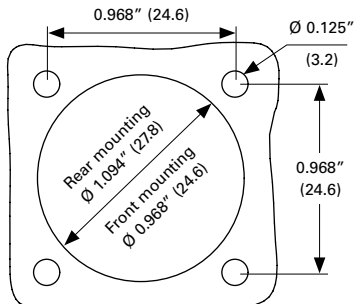


Fig. 8

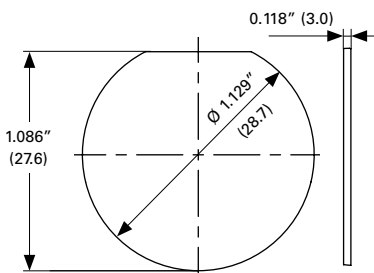


### Panel cut out

#### Square flange receptacle - UTSX0



#### Jam nut receptacle - UTSX7



Dimensions in inches (millimeters)

# Souriau UTSX series

16E23/16D23 (Shell size 16, 22 x #20, 1 x #16)

## Accessories

### Jam nut and free hanging receptacle sealing caps



Description	Part number
IP68	<b>UTS16DCG</b>
IP68 - Metal terminal	<b>UTS16DCGR</b>

### Square flange sealing cap



Description	Part number
IP68 - Metal terminal	<b>UTS16DCGE</b>

### Plug sealing cap



Description	Part number
IP68	<b>UTS616DCG</b>

### Plastic protective cap



Part number receptacle cap	Part number plug cap
85005589A	<b>85005598</b>

### Gasket



Part number
<b>UTFD15B</b>

### Color coding rings

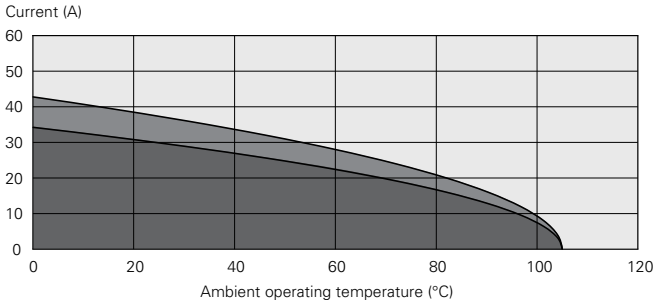


Description	Part number receptacles	Part number plugs
G for Green	<b>UTS716CCRG</b>	<b>UTS616CCRG</b>
Y for Yellow	<b>UTS716CCRY</b>	<b>UTS616CCRY</b>
R for Red	<b>UTS716CCRR</b>	<b>UTS616CCRR</b>

**Electrical characteristics**

UL	CSA	IEC
UTSX 16E23/16D23 13A 250V with AWG16 wire	7.5A 250V with AWG16 wire	13A 32V 2kV 3

**UTSX 1623 - 16E23/16D23 derating curves**



- Current use
- Limited use
- Not recommended use

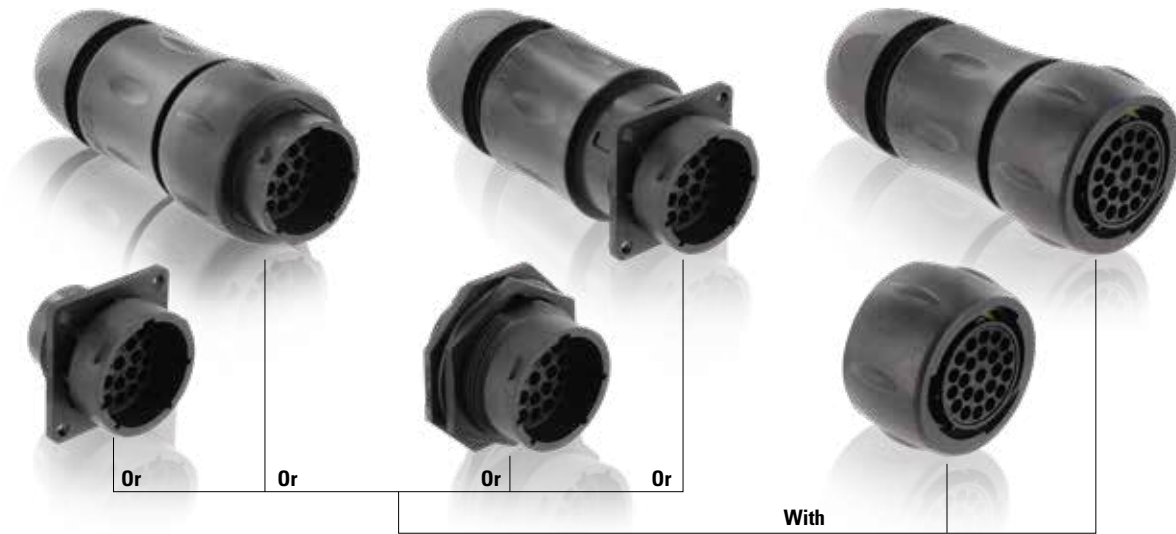
**Test conditions**

Contact used: machined contacts  
Wires used: 16 AWG

Derating curves based on continuous current application.

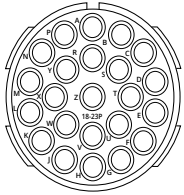
# Souriau UTSX series

1823 (Shell size 18, 23 x #16)



## Connector part number

### UTSX 1823



23 contacts  
9A/250V per UL 1977  
with AWG16 wire

Contact type	Connector type	Backshell	Part number Male insert	Female insert
Crimp contacts supplied separately see <b>Page 182</b>	Square flange receptacle	Without (Fig. 1)	<b>UTSX01823P</b>	<b>UTSX01823S</b>
	Square flange receptacle	Cable gland (Fig. 2)	<b>UTSX0JC1823P</b>	<b>UTSX0JC1823S</b>
	Free hanging receptacle	Cable gland (Fig. 3)	<b>UTSX1JC1823P</b>	<b>UTSX1JC1823S</b>
	Plug	Without (Fig. 4)	<b>UTSX61823P</b>	<b>UTSX61823S</b>
	Plug	Cable gland (Fig. 5)	<b>UTSX6JC1823P</b>	<b>UTSX6JC1823S</b>
	Jam nut receptacle	Without (Fig. 6)	<b>UTSX71823P</b>	<b>UTSX71823S</b>
	Jam nut receptacle with stand off and with hold down clips	Without (Fig. 8)	<b>UTSX71823P32</b>	<b>UTSX71823S32</b>
	PCB contacts supplied separately see <b>Page 182</b>	Square flange receptacle	Without (Fig. 1)	<b>UTSX01823P</b>
Jam nut receptacle		Without (Fig. 7)	<b>UTSX71823P</b>	<b>UTSX71823S</b>

For discrimination/keying methods see **Page 223**

### Overmolded cable assembly part numbers

Please contact us directly for overmolded cable assemblies.

**Dimensions** (For mated connector lengths see Page 215)

**Square flange receptacle - UTSX0 and UTSX0JC**

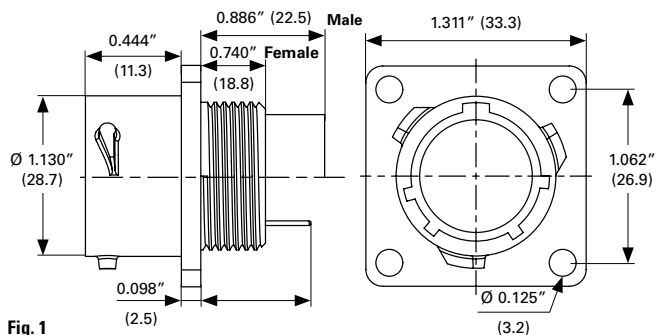


Fig. 1

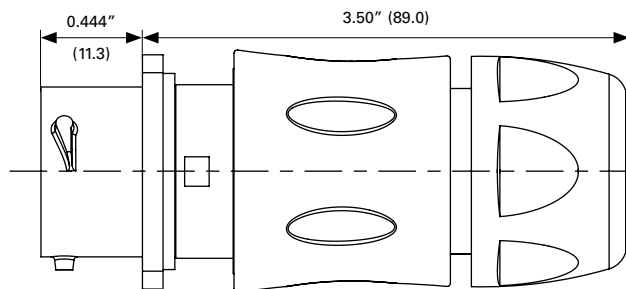


Fig. 2

Cable diameter acceptance: standard seal: from 0.512" to 0.709" (13 to 18), reduced seal: from 0.433" to 0.590" (11 to 15)

**Free hanging - UTSX1JC and UTSXGJC**

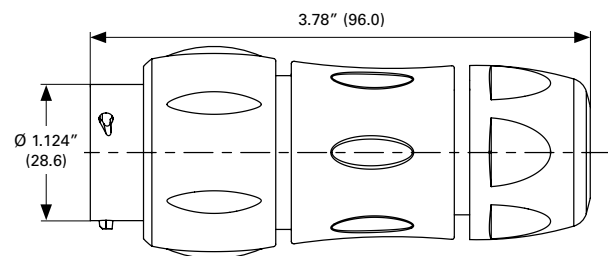


Fig. 3

Cable diameter acceptance: standard seal: from 0.512" to 0.709" (13 to 18), reduced seal: from 0.433" to 0.590" (11 to 15)

**Plug - UTSX6 and UTSX6JC**

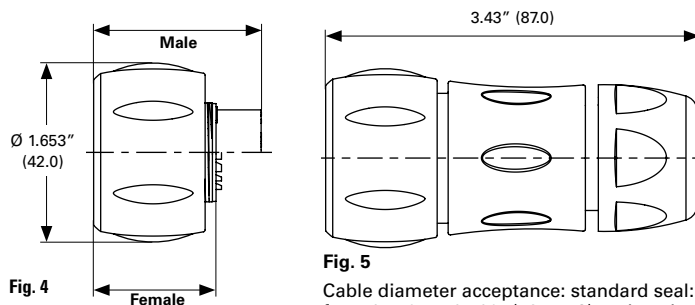


Fig. 4

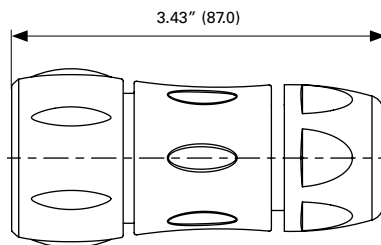


Fig. 5

Cable diameter acceptance: standard seal: from 0.512" to 0.709" (13 to 18), reduced seal: from 0.433" to 0.590" (11 to 15)

**Jam nut receptacle UTSX7**

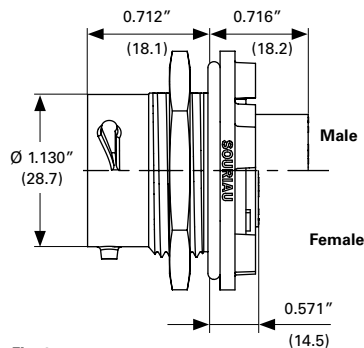


Fig. 6

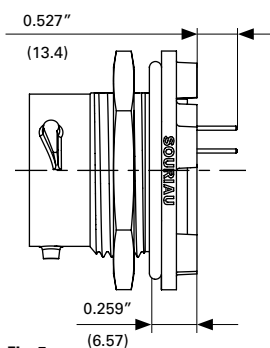


Fig. 7

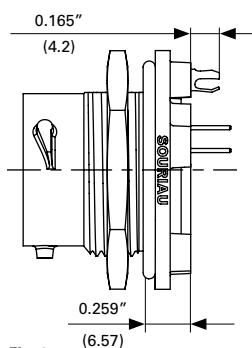
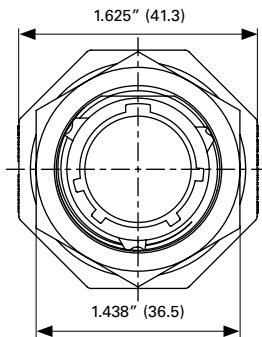
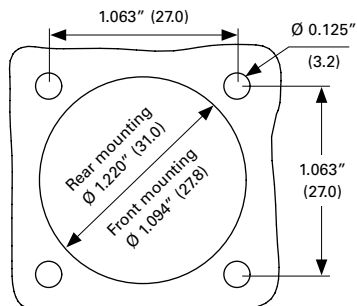


Fig. 8

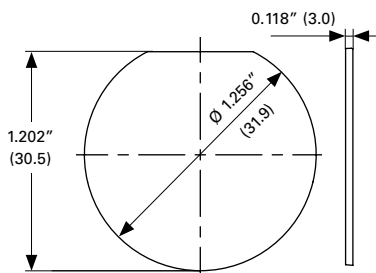


**Panel cut out**

**Square flange receptacle - UTSX0**



**Jam nut receptacle - UTSX7**



Dimensions in inches (millimeters)

# Souriau UTSX series

1823 (Shell size 18, 23 x #16)

## Accessories

### Jam nut and free hanging receptacle sealing caps



Description	Part number
IP68	<b>UTS18DCG</b>
IP68 - Metal terminal	<b>UTS18DCGR</b>

### Square flange sealing cap



Description	Part number
IP68 - Metal terminal	<b>UTS18DCGE</b>

### Plug sealing cap



Description	Part number
IP68	<b>UTS618DCG</b>

### Plastic protective cap



Part number receptacle cap	Part number plug cap
85005590A	<b>85005599</b>

### Gasket



Part number
<b>UTFD16B</b>

### Color coding rings



Description	Part number receptacles	Part number plugs
G for Green	<b>UTS718CCRG</b>	<b>UTS618CCRG</b>
Y for Yellow	<b>UTS718CCRY</b>	<b>UTS618CCRY</b>
R for Red	<b>UTS718CCRR</b>	<b>UTS618CCRR</b>

## Tooling

### Tooling



Description	Part number
Handle (without head)	<b>Shandles</b>
Box containing handle and several crimp tooling	<b>Toolkit</b>

### Crimp tooling (without Shandles)



Contact size	Contacts	Part number of Head
Standard contacts #16 Ø 0.062" (1.6)	<b>RM/RC 28M1K<sup>(1)</sup></b>	<b>S16RCM20*</b>
	<b>RM/RC 24M9K<sup>(1)</sup></b>	<b>S16RCM20*</b>
	<b>RM/RC 20M13K<sup>(1)</sup></b>	<b>S16RCM20*</b>
	<b>RM/RC 20M12K<sup>(1)</sup></b>	<b>S16RCM20*</b>
	<b>RM/RC 16M23K<sup>(1)</sup></b>	<b>S16RCM16*</b>
	<b>RM/RC 14M30K<sup>(1)</sup></b>	<b>S16RCM14*</b>
	<b>SM/SC 24ML1TK6<sup>(1)</sup></b>	<b>S16SCM20*</b>
	<b>SM/SC 20ML1TK6<sup>(1)</sup></b>	<b>S16SCM20*</b>
	<b>SM/SC 16ML1TK6<sup>(1)</sup></b>	<b>S16SCML1*</b>
	<b>SM/SC 14ML1TK6<sup>(1)</sup></b>	<b>S16SCML1*</b>
	<b>SM/SC 16ML11TK6<sup>(1)</sup></b>	<b>S16SCML11*</b>

(1) Example of plating, for other plating options see **Page 198**  
\* Heads to be used with handle PN: SHANGLES

### #16, #12 and #8 machined contacts



Description	Part number
Crimp tool	<b>M20S-1J</b>
Die casts and stop bushings	See <b>Page 210</b>

### Extraction tool #16

Fig. 1



Fig. 2



Description	Part number
<b>Fig. 1</b>	<b>RX2025GE1</b>
<b>Fig. 2 - Long endurance tool</b>	<b>RX2031J</b>

# Souriau UTSX series

1823 (Shell size 18, 23 x #16)

## Contacts #16

Contact style	Contact type	Cable acceptance		Part number		Wire Ø max		Insulator Ø max		
		AWG	inch <sup>2</sup>	mm <sup>2</sup>	Male	Female	inch	mm	inch	mm
Crimp contacts	Machined	30-28	0.002"-0.003"	0.05-0.08	RM28M1K <sup>(1)</sup>	RC28M1K <sup>(1)</sup>	0.021"	0.55	0.039"	1.00
		26-24	0.005"-0.009"	0.13-0.25	RM24M9K <sup>(1)</sup>	RC24M9K <sup>(1)</sup>	0.031"	0.80	0.062"	1.58
		22-20	0.012"-0.020"	0.32-0.52	RM20M13K <sup>(1)</sup>	RC20M13K <sup>(1)</sup>	0.045"	1.15	0.070"	1.80
		22-20	0.012"-0.020"	0.32-0.52	RM20M12K <sup>(1)</sup>	RC20M12K <sup>(1)</sup>	0.045"	1.15	0.086"	2.20
		20-16	0.020"-0.059"	0.52-1.48	RM16M23K <sup>(1)</sup>	RC16M23K <sup>(1)</sup>	0.070"	1.80	0.125"	3.20
		16-14	0.059"-0.098"	1.48-2.48	RM14M30K <sup>(1)</sup>	RC14M30K <sup>(1)</sup>	0.090"	2.30	0.125"	3.20
	Stamped and formed reeled contacts See note <sup>(2)</sup> for loose piece	26-24	0.005"-0.009"	0.13-0.25	SM24M1TK6 <sup>(1)(2)</sup>	SC24M1TK6 <sup>(1)(2)</sup>	-	-	0.035"-0.062"	0.90-1.58
		22-20	0.012"-0.020"	0.32-0.52	SM20M1TK6 <sup>(1)(2)</sup>	SC20M1TK6 <sup>(1)(2)</sup>	-	-	0.047"-0.082"	1.20-2.10
		18-16	0.031"-0.059"	0.80-1.48	SM16M1TK6 <sup>(1)(2)</sup>	SC16M1TK6 <sup>(1)(2)</sup>	-	-	0.125"	3.20
		18-16	0.031"-0.059"	0.80-1.48	SM16M11TK6 <sup>(1)(2)</sup>	SC16M11TK6 <sup>(1)(2)</sup>	-	-	0.118"	3.00
		14	0.098"	2.48	SM14M1TK6 <sup>(1)(2)</sup>	SC14M1TK6 <sup>(1)(2)</sup>	-	-	0.125"	3.20
		PCB	Machined <sup>(3)</sup>	-	-	-	RM20M12E83K <sup>(1)</sup>	RC20M12E84K <sup>(1)</sup>	-	-
Coaxial	Cable multipiece	see Page 202			RMDXK10D28	RCDXK1D28	-	-	-	-
	Cable monocrimp	see Page 202			RMDX60xxD28	RCDX60xxD28	-	-	-	-
	Twisted pair multipiece	see Page 202			RMDXK10D28 + yorx090	RCDXK1D28 + yorx090	-	-	-	-
	Twisted pair monocrimp	see Page 202			RMDX60xxD28	RCDX60xxD28	-	-	-	-
Fiber optic	POF contacts (Plastic optical fiber)	-	-	-	RMPOF1000	RCPOF1000B	-	-	-	-
Hand solder	Loaded in the connector	14-18	0.098"-0.031"	2.48-0.80	-	-	-	-	-	-

(1) Example of plating, for other plating see Page 198

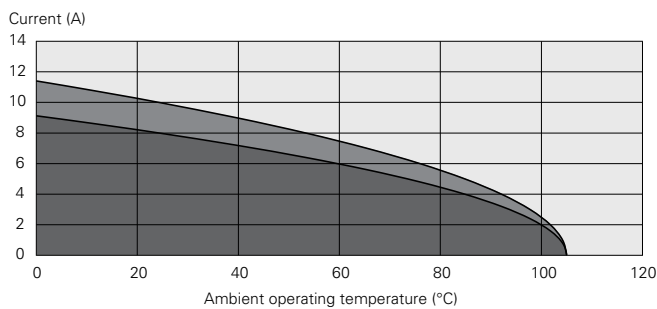
(2) Loose piece contact available by adding "L" after the "M" for the contact size and the plating. Example: SM20M1TK6 becomes SM20ML1TK6

(3) for dimensions see Page 205

## Electrical characteristics

UL	CSA	IEC
UTSX 1823 9A 250V with AWG16 wire	5A 250V with AWG16 wire	8A 16V 2kV 3

## UTSX 1823 derating curves



- Current use
- Limited use
- Not recommended use

### Test conditions

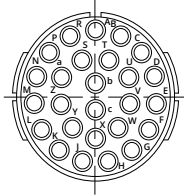
Contact used: machined contacts  
Wires used: 16 AWG

Derating curves based on continuous current application.



### Connector part number

#### UTSX 1626



26 contacts  
4A/250V per UL 1977  
with AWG20 wire

#### 16E26 / 16D26

26 contacts  
5A/250V per UL 1977  
with AWG20 wire

Contact type	Connector type	Backshell	Part number Male insert	Female insert
Crimp contacts supplied separately see <b>Page 187</b>	Square flange receptacle	Without (Fig. 1)	<b>UTSX01626P</b>	<b>UTSX01626S</b>
	Square flange receptacle	Cable gland (Fig. 2)	<b>UTSX0JC1626P</b>	<b>UTSX0JC1626S</b>
	Free hanging receptacle	Cable gland (Fig. 3)	<b>UTSX1JC1626P</b>	<b>UTSX1JC1626S</b>
	Plug	Without (Fig. 4)	<b>UTSX61626P</b>	<b>UTSX61626S</b>
	Plug	Cable gland (Fig. 5)	<b>UTSX6JC1626P</b>	<b>UTSX6JC1626S</b>
	Jam nut receptacle	Without (Fig. 6)	<b>UTSX71626P</b>	<b>UTSX71626S</b>
	Jam nut receptacle with stand off and with hold down clips	Without (Fig. 8)	<b>UTSX71626P32</b>	<b>UTSX71626S32</b>
	PCB contacts supplied separately see <b>Page 187</b>	Square flange receptacle	Without (Fig. 1)	<b>UTSX01626P</b>
Jam nut receptacle		Without (Fig. 7)	<b>UTSX71626P</b>	<b>UTSX71626S</b>
Hand solder electrical contacts loaded see <b>Page 187</b>	Square flange receptacle	Without (Fig. 1)	<b>UTSX016E26P</b>	<b>UTSX016E26S</b>
	Plug	Without (Fig. 4)	<b>UTSX616E26P</b>	<b>UTSX616E26S</b>
	Plug	Cable gland (Fig. 5)	<b>UTSX6JC16E26P</b>	<b>UTSX6JC16E26S</b>
	Jam nut receptacle	Without (Fig. 6)	<b>UTSX716E26P</b>	<b>UTSX716E26S</b>
	Jam nut receptacle with stand off and with hold down clips	Without (Fig. 8)	<b>UTSX716E26P32</b>	<b>UTSX716E26S32</b>
PCB contacts loaded see <b>Page 187</b>	Square flange receptacle	Without (Fig. 3)	<b>UTSX016D26P</b>	<b>UTSX016D26S</b>
	Jam nut receptacle with stand off and without hold down clip	Without (Fig.7)	<b>UTSX716D26P</b>	<b>UTSX716D26S</b>
	Jam nut receptacle with stand off and with hold down clips	Without (Fig. 8)	<b>UTSX716D26P32</b>	<b>UTSX716D26S32</b>

For discrimination/keying methods see **Page 223**

Sealed unmated

### Overmolded cable assembly part numbers

Please contact us directly for overmolded cable assemblies.

# Souriau UTSX series

1626 - 16E26/16D26 (Shell size 16, 26 x #20)

## Dimensions (For mated connector lengths see Page 215)

### Square flange receptacle - UTSX0 and UTSX0JC

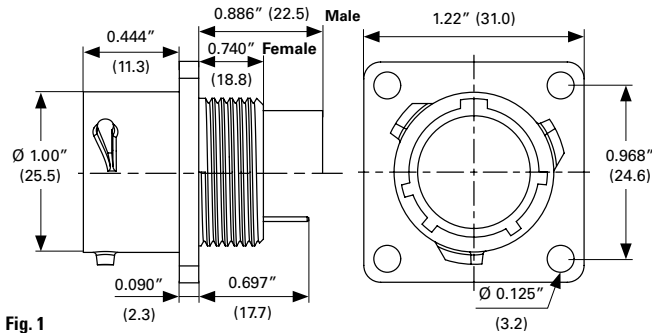


Fig. 1

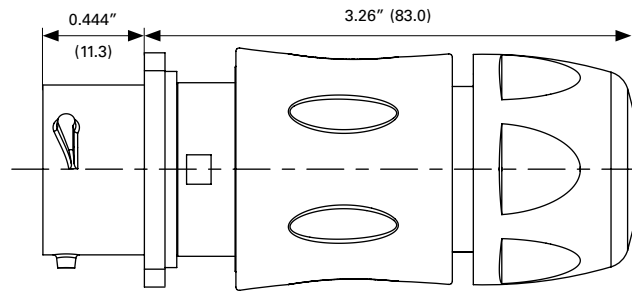


Fig. 2

Cable diameter acceptance: standard seal: from 0.472" to 0.630" (12 to 16), reduced seal: from 0.354" to 0.472" (9 to 12)

### Free hanging - UTSX1JC and UTSXGJC

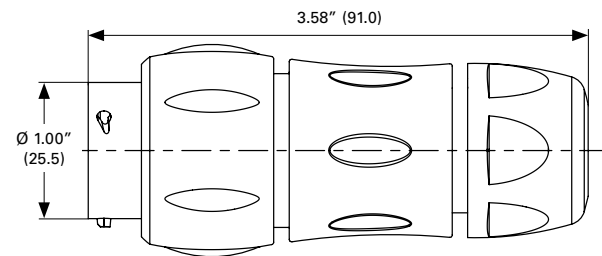


Fig. 3

Cable diameter acceptance: standard seal: from 0.472" to 0.630" (12 to 16), reduced seal: from 0.354" to 0.472" (9 to 12)

### Plug - UTSX6 and UTSX6JC

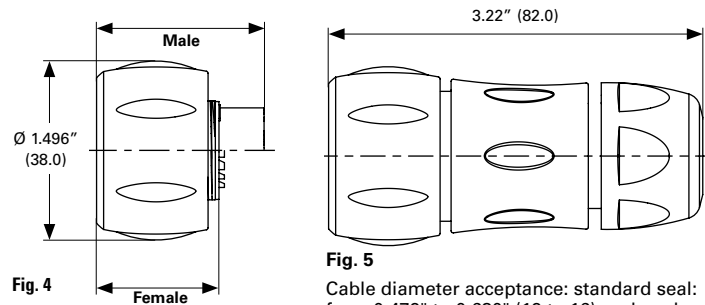


Fig. 4

Fig. 5

Cable diameter acceptance: standard seal: from 0.472" to 0.630" (12 to 16), reduced seal: from 0.354" to 0.472" (9 to 12)

### Jam nut receptacle UTSX7

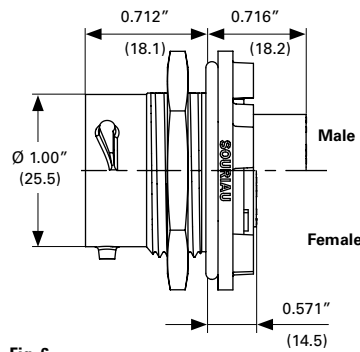


Fig. 6

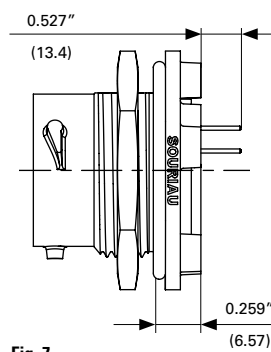


Fig. 7

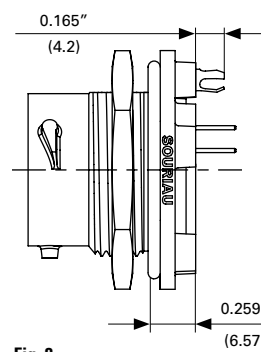
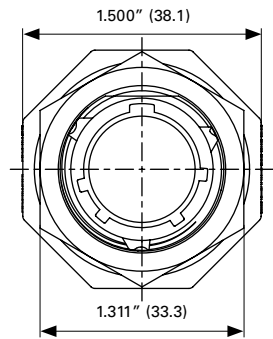
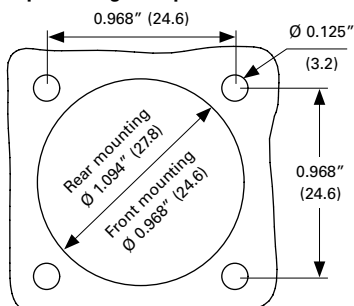


Fig. 8

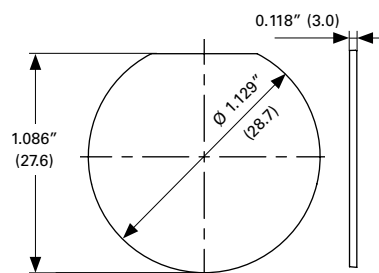


### Panel cut out

#### Square flange receptacle - UTSX0



#### Jam nut receptacle - UTSX7



Dimensions in inches (millimeters)

## Accessories

### Jam nut and free hanging receptacle sealing caps



Description	Part number
IP68	<b>UTS16DCG</b>
IP68 - Metal terminal	<b>UTS16DCGR</b>

### Square flange sealing cap



Description	Part number
IP68 - Metal terminal	<b>UTS16DCGE</b>

### Plug sealing cap



Description	Part number
IP68	<b>UTS616DCG</b>

### Plastic protective cap



Part number receptacle cap	Part number plug cap
85005589A	<b>85005598</b>

### Gasket



Part number
<b>UTFD15B</b>

### Color coding rings



Description	Part number receptacles	Part number plugs
G for Green	<b>UTS716CCRG</b>	<b>UTS616CCRG</b>
Y for Yellow	<b>UTS716CCRY</b>	<b>UTS616CCRY</b>
R for Red	<b>UTS716CCRR</b>	<b>UTS616CCRR</b>

# Souriau UTSX series

1626 - 16E26/16D26 (Shell size 16, 26 x #20)

## Tooling

### #20 stamped or machined contacts



Description	Part number
Handle (without head)	Shandles
Box containing handle and several crimp tooling	Toolkit

### Crimp tooling (without Shandles)



Contact size	Contacts	Part number of Head
Standard contacts #20 Ø 0.039" (1)	RM/R 24W3K <sup>(1)</sup>	S20RCM*
	RM/R 20W3K <sup>(1)</sup>	S20RCM*
	RM/R 18W3K <sup>(1)</sup>	S20RCM*
	SM/SC 24WL3 <sup>(1)(2)</sup>	S20SCM20*
	SM/SC 20WL3 <sup>(1)(2)</sup>	S20SCM20*

(1) Example of plating, for other plating options see **Page 198**

(2) Loose contact

\* Heads to be used with handle PN: SHANDLES

### Extraction tool #20



Description	Part number
Contacts #20 Ø 0.039" (1)	RX20D44

### Contacts #20

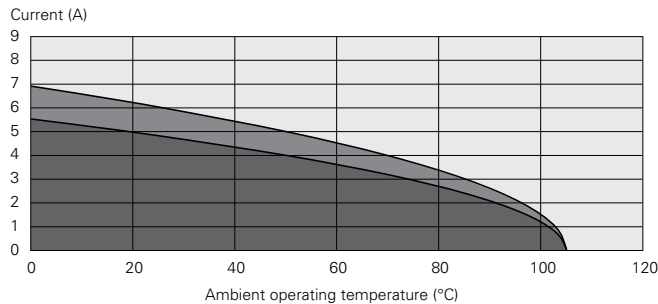
Contact style	Contact type	Cable acceptance		Part number	Wire Ø max		Insulator Ø max		
		AWG	inch <sup>2</sup> / mm <sup>2</sup>		Male	Female	inch	mm	
Crimp contacts	Machined	26-24	0.005"-0.009" / 0.13-0.25	<b>RM24W3K</b>	<b>RC24W3K</b>	0.031"	0.80	0.062"	1.58
		22-20	0.012"-0.020" / 0.32-0.52	<b>RM20W3K</b>	<b>RC20W3K</b>	0.045"	1.15	0.070"	1.80
		20-18	0.020"-0.031" / 0.52-0.80	<b>RM18W3K</b>	<b>RC18W3K</b>	0.051"	1.30	0.082"	2.10
	Stamped and formed reeled contacts See note <sup>(1)</sup> for loose piece	26-24	0.005"-0.009" / 0.13-0.25	<b>SM24W3TK6<sup>(1)</sup></b>	<b>SC24W3TK6<sup>(1)</sup></b>	-	-	0.035"-0.062"	0.90-1.60
		26-24	0.005"-0.009" / 0.13-0.25	<b>SM24W3S26<sup>(1)</sup></b>	<b>SC24W3S25<sup>(1)</sup></b>	-	-	0.035"-0.062"	0.90-1.60
		22-20	0.012"-0.020" / 0.32-0.52	<b>SM20W3TK6<sup>(1)</sup></b>	<b>SC20W3TK6<sup>(1)</sup></b>	-	-	0.047"-0.082"	1.20-2.10
22-20	0.012"-0.020" / 0.32-0.52	<b>SM20W3S26<sup>(1)</sup></b>	<b>SC20W3S25<sup>(1)</sup></b>	-	-	0.047"-0.082"	1.20-2.10		

(1) Loose piece contact available by adding "L" after the "M" for the contact size and the plating. Example: SM20W3TK6 becomes SM20WL3TK6

### Electrical characteristics

UL	CSA	IEC
UTSX 1626 4A 250V with AWG20 wire	2A 250V with AWG20 wire	4.5A 32V 1.5kV 2
UTSX 16E26/16D26 5A 250V with AWG20 wire	4A 250V with AWG20 wire	5A 32V 1.5kV 3

### UTSX 1626 - 16E26/16D26 derating curves



- Current use
- Limited use
- Not recommended use

#### Test conditions

Contact used: machined contacts  
Wires used: 20 AWG

Derating curves based on continuous current application.

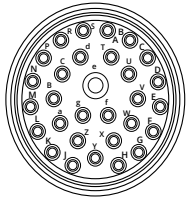
# Souriau UTSX series

18E30/18D30 (Shell size 18, 29 x #20, 1 x #16)



## Connector part number

### UTSX 18E30 /18D30



30 contacts  
13A/250V per UL 1977  
with AWG16 wire

Contact type	Connector type	Backshell	Part number Male insert	Female insert
Hand solder electrical contacts loaded see <b>Page 191</b>	Square flange receptacle	Without (Fig. 1)	<b>UTSX018E30P</b>	<b>UTSX018E30S</b>
	Plug	Without (Fig. 4)	<b>UTSX618E30P</b>	<b>UTSX618E30S</b>
	Plug	Cable gland (Fig. 5)	<b>UTSX6JC18E30P</b>	<b>UTSX6JC18E30S</b>
	Jam nut receptacle	Without (Fig. 6)	<b>UTSX718E30P</b>	<b>UTSX718E30S</b>
	Jam nut receptacle with stand off and with hold down clips	Without (Fig. 8)	<b>UTSX718E30P32</b>	<b>UTSX718E30S32</b>
PCB contacts loaded see <b>Page 191</b>	Square flange receptacle	Without (Fig. 3)	<b>UTSX018D30P</b>	<b>UTSX018D30S</b>
	Jam nut receptacle with stand off and without hold down clip	Without (Fig.7)	<b>UTSX718D30P</b>	<b>UTSX718D30S</b>
	Jam nut receptacle with stand off and with hold down clips	Without (Fig. 8)	<b>UTSX718D30P32</b>	<b>UTSX718D30S32</b>

For discrimination/keying methods see **Page 223**

Sealed unmated

## Overmolded cable assembly part numbers

Please contact us directly for overmolded cable assemblies.

## Dimensions (For mated connector lengths see Page 215)

### Square flange receptacle - UTSX0 and UTSX0JC

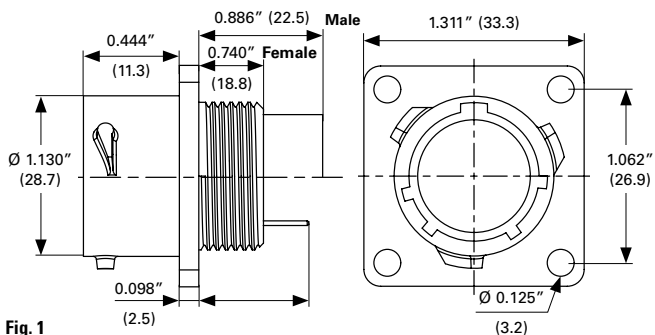


Fig. 1

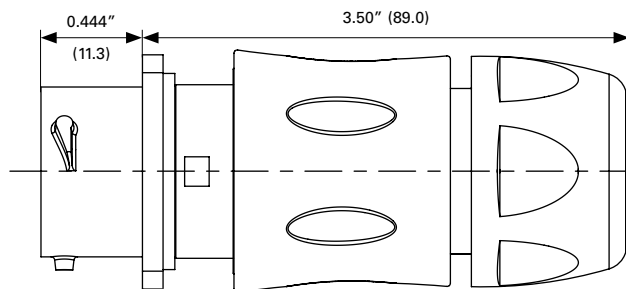


Fig. 2

Cable diameter acceptance: standard seal: from 0.512" to 0.709" (13 to 18), reduced seal: from 0.433" to 0.590" (11 to 15)

### Free hanging - UTSX1JC and UTSXGJC

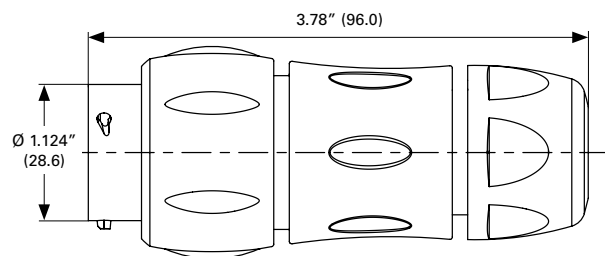


Fig. 3

Cable diameter acceptance: standard seal: from 0.512" to 0.709" (13 to 18), reduced seal: from 0.433" to 0.590" (11 to 15)

### Plug - UTSX6 and UTSX6JC

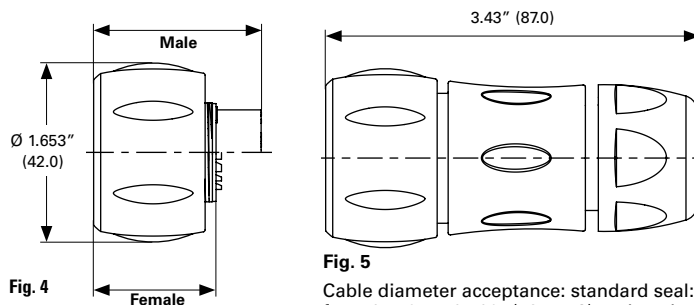


Fig. 4

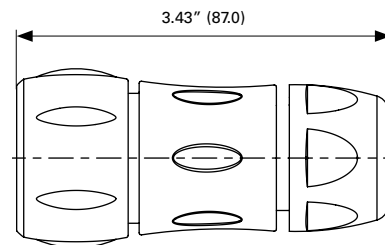


Fig. 5

Cable diameter acceptance: standard seal: from 0.512" to 0.709" (13 to 18), reduced seal: from 0.433" to 0.590" (11 to 15)

### Jam nut receptacle UTSX7

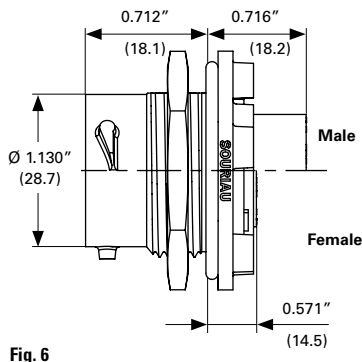


Fig. 6

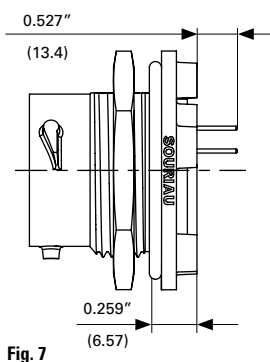


Fig. 7

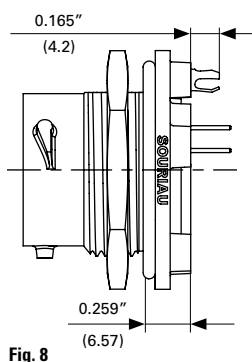
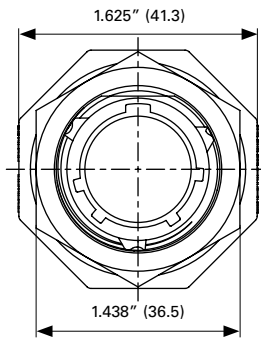
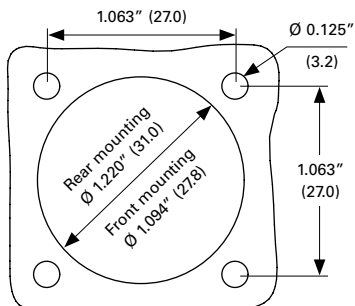


Fig. 8

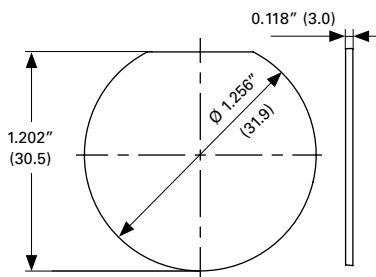


### Panel cut out

#### Square flange receptacle - UTSX0



#### Jam nut receptacle - UTSX7



Dimensions in inches (millimeters)

# Souriau UTSX series

18E30/18D30 (Shell size 18, 29 x #20, 1 x #16)

## Accessories

### Jam nut and free hanging receptacle sealing caps



Description	Part number
IP68	<b>UTS18DCG</b>
IP68 - Metal terminal	<b>UTS18DCGR</b>

### Square flange sealing cap



Description	Part number
IP68 - Metal terminal	<b>UTS18DCGE</b>

### Plug sealing cap



Description	Part number
IP68	<b>UTS618DCG</b>

### Plastic protective cap



Part number receptacle cap	Part number plug cap
85005590A	<b>85005599</b>

### Gasket



Part number
<b>UTFD16B</b>

### Color coding rings

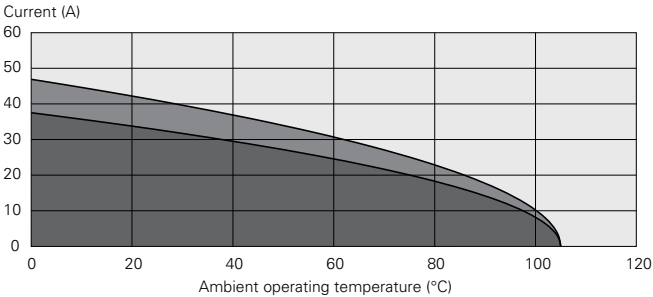


Description	Part number receptacles	Part number plugs
G for Green	<b>UTS718CCRG</b>	<b>UTS618CCRG</b>
Y for Yellow	<b>UTS718CCRY</b>	<b>UTS618CCRY</b>
R for Red	<b>UTS718CCRR</b>	<b>UTS618CCRR</b>

**Electrical characteristics**

UL	CSA	IEC
UTSX 18E30/18D30 13A 250V with AWG16 wire	7.5A 250V with AWG16 wire	13A 20V 2kV 3

**UTSX 18E30/18D30 derating curves**



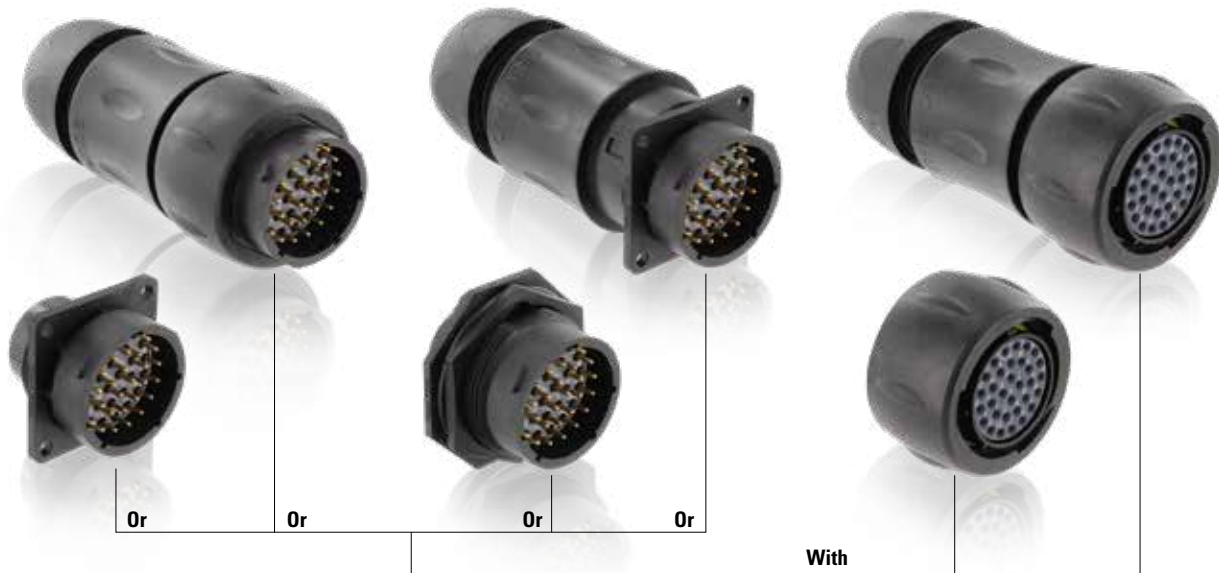
- Current use
- Limited use
- Not recommended use

**Test conditions**  
 Contact used: machined contacts  
 Wires used: 16 AWG

Derating curves based on continuous current application.

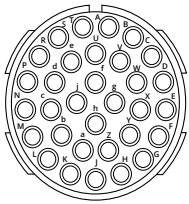
# Souriau UTSX series

1832 - 18E32/18D32 (Shell size 18, 32 x #20)



## Connector part number

### UTSX 1832



32 contacts  
4A/250V per UL 1977  
with AWG20 wire

### 18E32 /18D32

32 contacts  
5A/250V per UL 1977  
with AWG20 wire

Contact type	Connector type	Backshell	Part number Male insert	Female insert
Crimp contacts supplied separately see <b>Page 196</b>	Square flange receptacle	Without (Fig. 1)	<b>UTSX01832P</b>	<b>UTSX01832S</b>
	Square flange receptacle	Cable gland (Fig. 2)	<b>UTSX0JC1832P</b>	<b>UTSX0JC1832S</b>
	Free hanging receptacle	Cable gland (Fig. 3)	<b>UTSX1JC1832P</b>	<b>UTSX1JC1832S</b>
	Plug	Without (Fig. 4)	<b>UTSX61832P</b>	<b>UTSX61832S</b>
	Plug	Cable gland (Fig. 5)	<b>UTSX6JC1832P</b>	<b>UTSX6JC1832S</b>
	Jam nut receptacle	Without (Fig. 6)	<b>UTSX71832P</b>	<b>UTSX71832S</b>
	Jam nut receptacle with stand off and with hold down clips	Without (Fig. 8)	<b>UTSX71832P32</b>	<b>UTSX71832S32</b>
PCB contacts supplied separately see <b>Page 196</b>	Square flange receptacle	Without (Fig. 1)	<b>UTSX01832P</b>	<b>UTSX01832S</b>
	Jam nut receptacle	Without (Fig. 7)	<b>UTSX71832P</b>	<b>UTSX71832S</b>
Hand solder electrical contacts loaded see <b>Page 196</b>	Square flange receptacle	Without (Fig. 1)	<b>UTSX018E32P</b>	<b>UTSX018E32S</b>
	Plug	Without (Fig. 4)	<b>UTSX618E32P</b>	<b>UTSX618E32S</b>
	Plug	Cable gland (Fig. 5)	<b>UTSX6JC18E32P</b>	<b>UTSX6JC18E32S</b>
	Jam nut receptacle	Without (Fig. 6)	<b>UTSX718E32P</b>	<b>UTSX718E32S</b>
	Jam nut receptacle with stand off and with hold down clips	Without (Fig. 8)	<b>UTSX718E32P32</b>	<b>UTSX718E32S32</b>
PCB contacts loaded see <b>Page 196</b>	Square flange receptacle	Without (Fig. 3)	<b>UTSX018D32P</b>	<b>UTSX018D32S</b>
	Jam nut receptacle with stand off and without hold down clip	Without (Fig.7)	<b>UTSX718D32P</b>	<b>UTSX718D32S</b>
	Jam nut receptacle with stand off and with hold down clips	Without (Fig. 8)	<b>UTSX718D32P32</b>	<b>UTSX718D32S32</b>

For discrimination/keying methods see **Page 223**

Sealed unmatd

## Overmolded cable assembly part numbers

Please contact us directly for overmolded cable assemblies.

**Dimensions** (For mated connector lengths see Page 215)

**Square flange receptacle - UTSX0 and UTSX0JC**

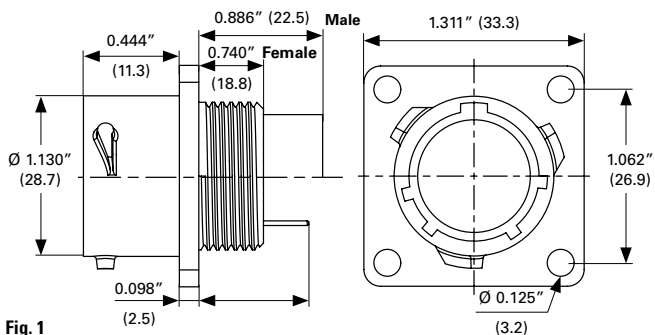


Fig. 1

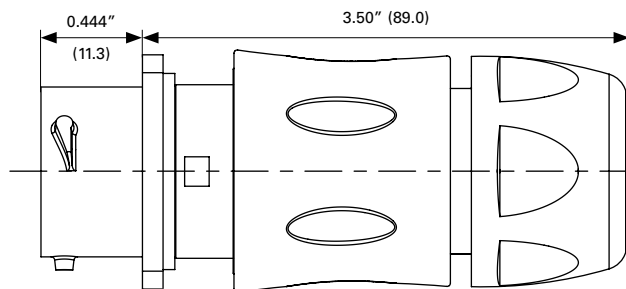


Fig. 2

Cable diameter acceptance: standard seal: from 0.512" to 0.709" (13 to 18), reduced seal: from 0.433" to 0.590" (11 to 15)

**Free hanging - UTSX1JC and UTSXGJC**

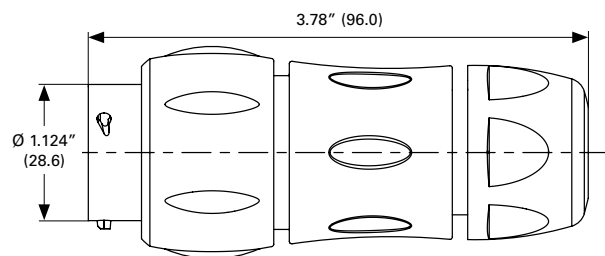


Fig. 3

Cable diameter acceptance: standard seal: from 0.512" to 0.709" (13 to 18), reduced seal: from 0.433" to 0.590" (11 to 15)

**Plug - UTSX6 and UTSX6JC**

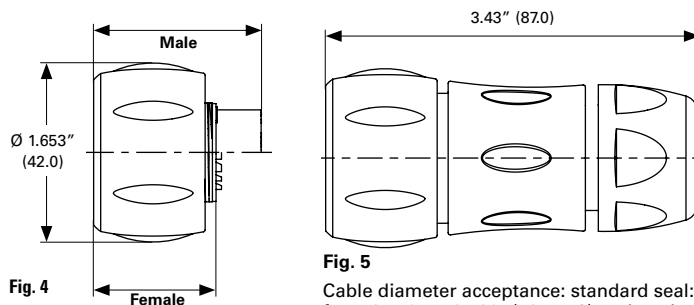


Fig. 4

Fig. 5

Cable diameter acceptance: standard seal: from 0.512" to 0.709" (13 to 18), reduced seal: from 0.433" to 0.590" (11 to 15)

**Jam nut receptacle UTSX7**

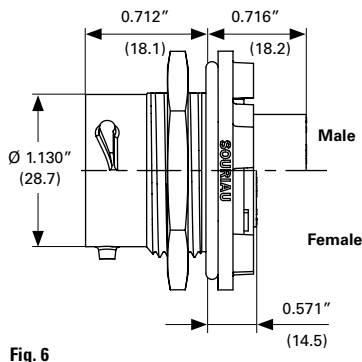


Fig. 6

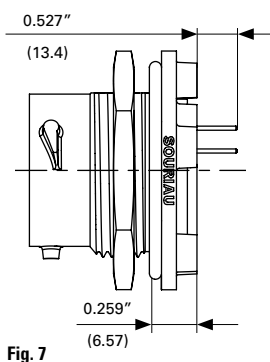


Fig. 7

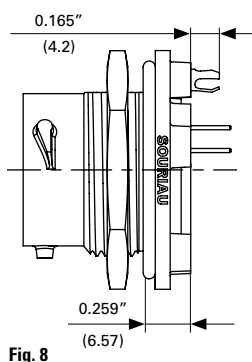
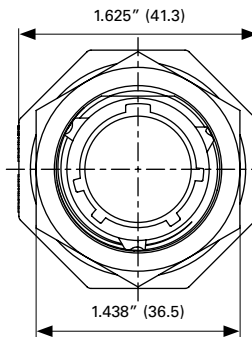
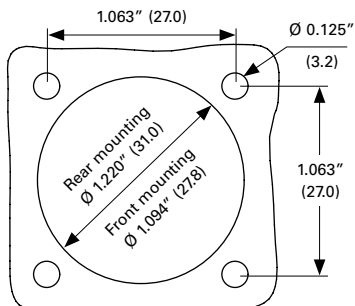


Fig. 8

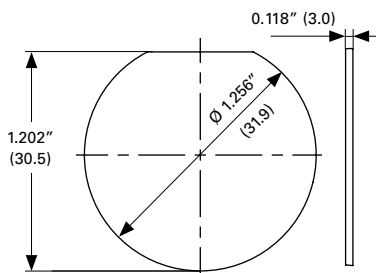


**Panel cut out**

**Square flange receptacle - UTSX0**



**Jam nut receptacle - UTSX7**



Dimensions in inches (millimeters)

# Souriau UTSX series

1832 - 18E32/18D32 (Shell size 18, 32 x #20)

## Accessories

### Jam nut and free hanging receptacle sealing caps



Description	Part number
IP68	<b>UTS18DCG</b>
IP68 - Metal terminal	<b>UTS18DCGR</b>

### Square flange sealing cap



Description	Part number
IP68 - Metal terminal	<b>UTS18DCGE</b>

### Plug sealing cap



Description	Part number
IP68	<b>UTS618DCG</b>

### Plastic protective cap



Part number receptacle cap	Part number plug cap
85005590A	<b>85005599</b>

### Gasket



Part number
<b>UTFD16B</b>

### Color coding rings



Description	Part number receptacles	Part number plugs
G for Green	<b>UTS718CCRG</b>	<b>UTS618CCRG</b>
Y for Yellow	<b>UTS718CCRY</b>	<b>UTS618CCRY</b>
R for Red	<b>UTS718CCRR</b>	<b>UTS618CCRR</b>

## Tooling

### #20 stamped or machined contacts



Description	Part number
Handle (without head)	SHANDLES
Box containing handle and several crimp tooling	Toolkit

### Crimp tooling (without Shandles)



Contact size	Contacts	Part number of Head
Standard contacts #20 Ø 0.039" (1)	RM/RC 24W3K <sup>(1)</sup>	S20RCM*
	RM/RC 20W3K <sup>(1)</sup>	S20RCM*
	RM/RC 18W3K <sup>(1)</sup>	S20RCM*
	SM/SC 24WL3 <sup>(1)(2)</sup>	S20SCM20*
	SM/SC 20WL3 <sup>(1)(2)</sup>	S20SCM20*

(1) Example of plating, for other plating options see **Page 198**

(2) Loose contact

\* Heads to be used with handle PN: SHANDLES

### Extraction tool #20



Description	Part number
Contacts #20 Ø 0.039" (1.0)	RX20D44

# Souriau UTSX series

1832 - 18E32/18D32 (Shell size 18, 32 x #20)

## Contacts #20

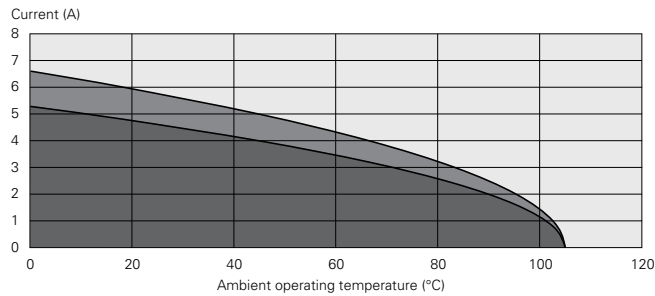
Contact style	Contact type	Cable acceptance		Part number	Wire Ø max	Insulator Ø max			
		AWG	inch <sup>2</sup> / mm <sup>2</sup>			Male	Female	inch	mm
Crimp contacts	Machined	26-24	0.005"-0.009" / 0.13-0.25	<b>RM24W3K</b>	<b>RC24W3K</b>	0.031"	0.80	0.062"	1.58
		22-20	0.012"-0.020" / 0.32-0.52	<b>RM20W3K</b>	<b>RC20W3K</b>	0.045"	1.15	0.070"	1.80
		20-18	0.020"-0.031" / 0.52-0.80	<b>RM18W3K</b>	<b>RC18W3K</b>	0.051"	1.30	0.082"	2.10
	Stamped and formed reeled contacts See note <sup>(1)</sup> for loose piece	26-24	0.005"-0.009" / 0.13-0.25	<b>SM24W3TK6<sup>(1)</sup></b>	<b>SC24W3TK6<sup>(1)</sup></b>	-	-	0.035"-0.062"	0.90-1.60
		26-24	0.005"-0.009" / 0.13-0.25	<b>SM24W3S26<sup>(1)</sup></b>	<b>SC24W3S25<sup>(1)</sup></b>	-	-	0.035"-0.062"	0.90-1.60
		22-20	0.012"-0.020" / 0.32-0.52	<b>SM20W3TK6<sup>(1)</sup></b>	<b>SC20W3TK6<sup>(1)</sup></b>	-	-	0.047"-0.082"	1.20-2.10
22-20	0.012"-0.020" / 0.32-0.52	<b>SM20W3S26<sup>(1)</sup></b>	<b>SC20W3S25<sup>(1)</sup></b>	-	-	0.047"-0.082"	1.20-2.10		

(1) Loose piece contact available by adding "L" after the "M" for the contact size and the plating. Example: SM20W3TK6 becomes SM20WL3TK6

## Electrical characteristics

UL	CSA	IEC
UTSX 1832 4A 250V with AWG20 wire	2A 250V with AWG20 wire	4A 32V 1.5kV 2
UTSX 18E32/18D32 5A 250V with AWG20 wire	4A 250V with AWG20 wire	4.5A 32V 2kV 3

## UTSX 1832 - 18E32/18D32 derating curves



- Current use
- Limited use
- Not recommended use

### Test conditions

Contact used: machined contacts  
Wires used: 20 AWG

Derating curves based on continuous current application.

**UTSX contacts**

The TRIM TRIO® product line uses the same contact style in any layout, with the same active part size (i.e. #20, #16, #12, etc.). This allows you to use one type of contact to equip all of your Souriau connectors in the TRIM TRIO® product line.

Please note that the UTSX series is delivered with solder or PCB contacts for Hi-seal versions and without contacts for standard crimp versions. The benefit of this standardization is to drastically reduce inventory costs. In addition, it eliminates the need for additional tooling and simplifies the assembly process. Souriau TRIM TRIO® contacts are designed for simple snap-in installation and further eliminate the need for an insertion tool.

**Contact plating selector guide**

Once the contact size has been selected, the next step determine which electrical contact type should be used. We offers two main types of electrical contacts:

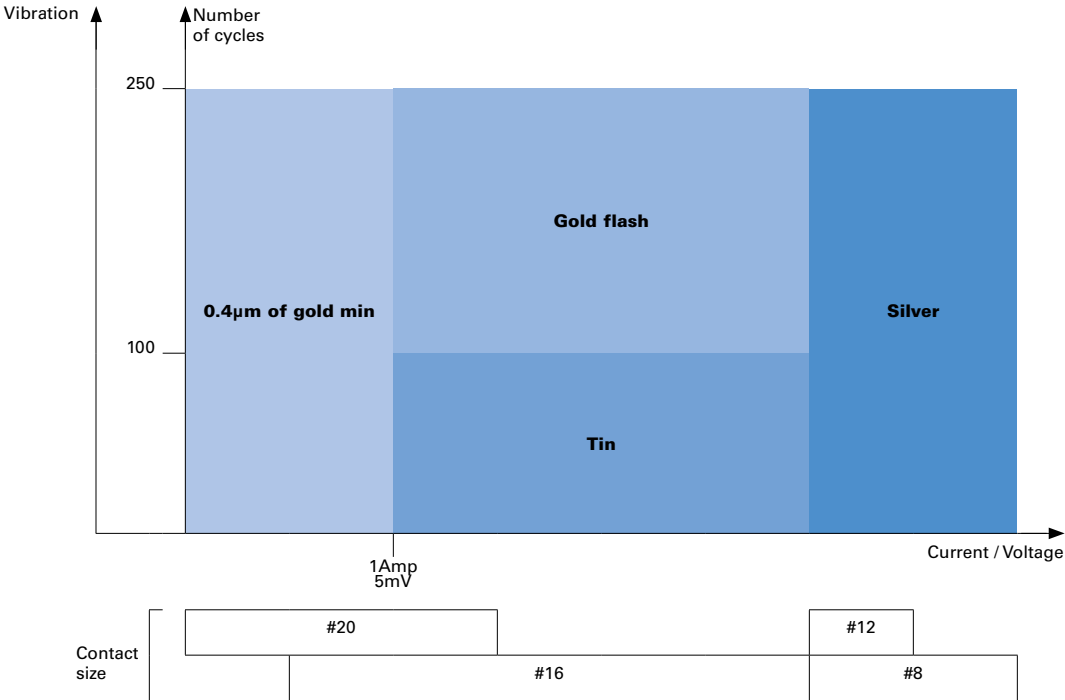
- Machined
- Stamped and formed



Machined contacts are generally selected as a better solution for power applications or when lower quantities are needed. Stamped and formed contacts offer the ability to be crimped automatically which makes them more suitable for high volume production applications.

The ideal plating is selected based on your application. Use the graph below to identify a plating based on the number of mating cycles, vibration and current/voltage needs for your application.

**Note:** Do not mix different plating (i.e. tin plated pin contacts with gold plated socket contacts).



### Machined contacts

Contact size	Contact type	Active area
#20 Ø 0.039" (1)	K	0.4µm Gold over 2µm Nickel min
#16 Ø 0.062" (1.6)	K	0.4µm Gold over 2µm Nickel min
	J	Gold flash over Nickel 2µm min
	T	Tin 3µm (-0/+2) over 1.3µm Nickel min
	D28 for Coax contacts only	0.75µm min Gold over 2µm Nickel min
#12 Ø 0.094" (2.4)	A	2µm Nickel + 2µm Ag
	K	0.4µm Gold over 2µm Nickel min
#8 Ø 0.141" (3.6)	A	2µm Nickel + 2µm Ag

### Stamped and formed contacts

Contact size	Plating code	Plating description	Active area	Other area
#20 Ø 0.039" (1)	S25 (female)	0.75µm Gold min over Nickel		Gold flash over Nickel
	S26 (male)	0.75µm Gold min over Nickel		Gold flash over Nickel
	TK6	0.5µm - 2.5µm Sn pre-plated		-
#16 Ø 0.062" (1.6)	S31	Gold flash over Nickel		Crimped area: 1.3µm
	S18	0.75µm Gold min over Nickel		Tin min over Nickel
				Other areas: 1.3µm
D70	0.13µm Gold min over Nickel		Gold flash over Nickel	
	TK6	0.5µm - 2.5µm Sn pre-plated		-

### Contacts supplied separately

Contact size	Contact type	Resistance
Electrical characteristics: contact resistance		
#20 Ø 0.039" (1)	Machined	< 6mΩ
	Stamped and formed	< 6mΩ
#16 Ø 0.062" (1.6)	Machined	< 3mΩ
	Stamped and formed	< 6mΩ
#12 Ø 0.094" (2.4)	Machined	< 5mΩ
#8 Ø 0.141" (3.6)	Machined	< 5mΩ

TRIMTRIO® contacts are available in a wide variety of packaging, from very small quantities (small bulk packaging) to very large quantities (reeled parts).

**Contacts size #20 / Ø 0.039" (1) and #16 / Ø 0.062" (1.6)**

**Stamped and formed contacts**



Description	Number
Loose package	25 pieces
Reeled	3,000 pieces

**Machined contacts**



Description	Number
Bulk package	50 pieces
Bulk package	1,000 pieces
Reeled size #16 only	2,000 pieces

**Contacts machined size #12 / Ø 0.094" (2.4) and #8 / Ø 0.141" (3.6)**

**Machined contacts**



Description	Number
Bulk package	100 pieces

**Note:** 1,000 pieces bulk package available by adding 1000 at the end of the part number: e.g. RC16M23K1000 2,000 pieces reeled package available by adding K at the beginning of the part number: e.g. KRC16M23K

### Standard version

Contact size	Type	Wire size			Part number		Insulator Ø max		Available plating see Page 126
		AWG	inch <sup>2</sup>	mm <sup>2</sup>	Male	Female	inch	mm	
#20 Ø 0.039" (1)	Machined	26-24	0.005"-0.007"	0.13-0.20	<b>RM24W3K</b>	<b>RC24W3K</b>	0.062" max	1.58 max	K
	Stamped and formed	26-24	0.005"-0.009"	0.13-0.25	<b>SM24W3<sup>(1)</sup></b>	<b>SC24W3<sup>(1)</sup></b>	0.035"-0.062"	0.89-1.58	TK6 S25 (female) S26 (male)
	Stamped and formed	26-24	0.005"-0.009"	0.13-0.25	<b>SM24WL3<sup>(2)</sup></b>	<b>SC24WL3<sup>(2)</sup></b>	0.035"-0.062"	0.89-1.58	TK6 S25 (female) S26 (male)
	Machined	22-20	0.012"-0.020"	0.32-0.52	<b>RM20W3K</b>	<b>RC20W3K</b>	0.062" max	1.58 max	K
	Stamped and formed	22-20	0.013"-0.019"	0.35-0.5	<b>SM20W3<sup>(1)</sup></b>	<b>SC20W3<sup>(1)</sup></b>	0.046"-0.081"	1.17-2.08	TK6 S25 (female) S26 (male)
	Stamped and formed	22-20	0.013"-0.019"	0.35-0.5	<b>SM20WL3<sup>(2)</sup></b>	<b>SC20WL3<sup>(2)</sup></b>	0.046"-0.081"	1.17-2.08	TK6 S25 (female) S26 (male)
	Machined	20-18	0.019"-0.031"	0.5-0.80	<b>RM18W3K</b>	<b>RC18W3K</b>	0.082" max	2.10 max	K
#16 Ø 0.062" (1.6)	Machined	30-28	0.002"-0.003"	0.05-0.08	<b>RM28M1-</b>	<b>RC28M1-</b>	0.043"	1.1	K, J
	Machined	26-24	0.005"-0.007"	0.13-0.2	<b>RM24M9-</b>	<b>RC24M9-</b>	0.062"	1.6	K, J
	Stamped and formed	26-24	0.005"-0.009"	0.13-0.25	<b>SM24M1<sup>(1)</sup></b> <b>SM24ML1<sup>(2)</sup></b>	<b>SC24M1<sup>(1)</sup></b> <b>SC24ML1<sup>(2)</sup></b>	0.089"-0.062"	0.89-1.58	S31, S18, TK6
	Machined	22-20	0.012"-0.020"	0.32-0.52	<b>RM20M13-</b>	<b>RC20M13-</b>	0.070"	1.8	K, J
	Machined	22-20	0.012"-0.020"	0.32-0.52	<b>RM20M12-</b>	<b>RC20M12-</b>	0.086"	2.2	K, J
	Stamped and formed	22-20	0.013"-0.019"	0.35-0.5	<b>SM20M1<sup>(1)</sup></b> <b>SM20ML1<sup>(2)</sup></b>	<b>SC20M1<sup>(1)</sup></b> <b>SC20ML1<sup>(2)</sup></b>	0.046"-0.081"	1.17-2.08	S31, S18, TK6
	Machined	18-16	0.031"-0.059"	0.92-1.5	<b>RM16M23-</b>	<b>RC16M23-</b>	0.125"	3.2	K, J
	Stamped and formed	18-16	0.031"-0.059"	0.8-1.5	<b>SM16M1<sup>(1)</sup></b> <b>SM16ML1<sup>(2)</sup></b>	<b>SC16M1<sup>(1)</sup></b> <b>SC16ML1<sup>(2)</sup></b>	No insulation grip	No insulation grip	S31, S18, TK6
	Stamped and formed	18-16	0.031"-0.059"	0.8-1.5	<b>SM16M11<sup>(1)</sup></b> <b>SM16ML11<sup>(2)</sup></b>	<b>SC16M11<sup>(1)</sup></b> <b>SC16ML11<sup>(2)</sup></b>	0.081"-0.118"	2.08-3.0	S31, S18, TK6
	Machined	16-14	0.059"-0.098"	1.5-2.5	<b>RM14M30-</b>	<b>RC14M30-</b>	0.125"	3.2	K, J
Stamped and formed	14	0.078"-0.098"	2.0-2.5	<b>SM14M1<sup>(1)</sup></b> <b>SM14ML1<sup>(2)</sup></b>	<b>SC14M1<sup>(1)</sup></b> <b>SC14ML1<sup>(2)</sup></b>	No insulation grip	No insulation grip	S31, S18, TK6	
#12 Ø 0.094" (2.4)	Machined	20	0.020"-0.015"	0.52-0.4	<b>82911457N-</b>	<b>82911456-</b>	0.157"	4.0	A, K
	Machined	20	0.019"	0.5	<b>82911459N-</b>	<b>82911458-</b>	0.157"	4.0	A, K
	Machined	18	0.2.952"-0.039"	0.75-1.0	<b>82911461N-</b>	<b>82911460-</b>	0.157"	4.0	A, K
	Machined	16	0.059"	1.5	<b>82911463N-</b>	<b>82911462-</b>	0.157"	4.0	A, K
	Machined	14	0.098"	2.5	<b>82911465N-</b>	<b>82911464-</b>	0.157"	4.0	A, K
	Machined	12	0.157"	4	<b>82911467N-</b>	<b>82911466-</b>	0.157"	4.0	A, K
#8 Ø 0.141" (Ø 3.6)	Machined	16	0.059"	1.5	<b>82913601A</b>	<b>82913600A</b>	0.248"	6.3	A
	Machined	14	0.098"	2.5	<b>82913603A</b>	<b>82913602A</b>	0.248"	6.3	A
	Machined	12	0.157"	4	<b>82913605A</b>	<b>82913604A</b>	0.248"	6.3	A
	Machined	10	0.236"	6.0	<b>82913607A</b>	<b>82913606A</b>	0.248"	6.3	A
	Machined	8	0.393"	10.0	<b>82913609A</b>	<b>82913608A</b>	0.248"	6.3	A

(1) contact reeled

(2) loose contact

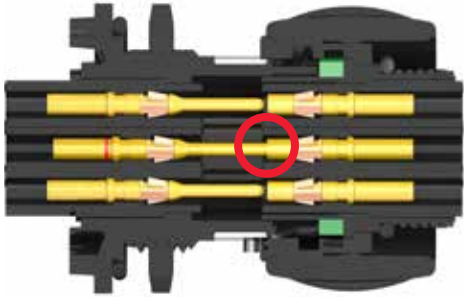
Example: RM24W3K - Size #20, Machined, AWG24 wire.

**First mate, last break male contacts**

The layouts UTSX103, UTSX124, UTSX12E4/12D4, UTSX142G1, UTSX147 and UTSX14E7/14D7 are already designed to have a first mate, last break connection on the ground line. That's why, for cavities marked with the ground symbol, standard contacts will fulfill the same role as a first mate, last break contact used in a standard cavity.

For the other layouts (without ground marking) a specific contact is necessary to achieve ground connection.

Please choose your contact from the table below.

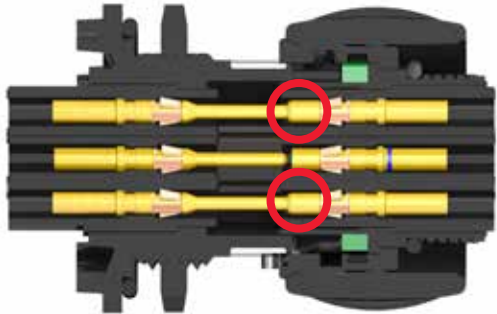


Contact size	Type	Wire size		Part number	Wire Ø max		Insulator Ø max		Color band		Available plating see Page 126	
		AWG	inch <sup>2</sup>		mm <sup>2</sup>	inch	mm	inch	mm	Front		Rear
#16 Ø 0.062" (1.6)	Machined	30-28	0.002"-0.003"	0.05-0.08	<b>RM28M1GE1K</b>	0.021"	0.55	0.039"	1.0	-	Red	K
	Machined	26-24	0.005"-0.007"	0.13-0.2	<b>RM24M9GE1K</b>	0.031"	0.8	0.062"	1.6	Red	Red	K
Longer male contact +0.039" (+1)	Machined	22-20	0.012"-0.020"	0.32-0.52	<b>RM20M12GE1K</b>	0.045"	1.15	0.086"	2.2	Blue	Red	K
	Machined	18-16	0.031"-0.059"	0.92-1.5	<b>RM16M23GE1K</b>	0.070"	1.8	0.125"	3.2	-	Red	K
	Machined	16-14	0.059"-0.098"	1.5-2.5	<b>RM14M30GE1K</b>	0.089"	2.26	-	-	-	Red	K

**Last break, first mate female contacts**

In order to create a last break, first mate connection, a shorter female contact is necessary. On the other side, a standard male contact can be used.

A complete offer of contacts is available to realize this connection type according the wire section used for our contact #16. Please choose your contact from the table below.



Contact size	Type	Wire size		Part number	Wire Ø max		Insulator Ø max		Color band		Available plating see Page 126	
		AWG	inch <sup>2</sup>		mm <sup>2</sup>	inch	mm	inch	mm	Front		Rear
#16 Ø 0.062" (1.6)	Machined	30-28	0.002"-0.003"	0.05-0.08	<b>RC28M1GE7K</b>	0.021"	0.55	0.039"	1.0	-	Blue	K
	Machined	26-24	0.005"-0.007"	0.13-0.2	<b>RC24M9GE7K</b>	0.031"	0.8	0.062"	1.6	Red	Blue	K
Shorter female contact -0.027" (-0.7)	Machined	22-20	0.012"-0.020"	0.32-0.52	<b>RC20M13GE7K</b>	0.045"	1.15	0.070"	1.8	Black	Blue	K
	Machined	22-20	0.012"-0.020"	0.32-0.52	<b>RC20M12GE7K</b>	0.045"	1.15	0.086"	2.2	Blue	Blue	K
	Machined	18-16	0.031"-0.059"	0.92-1.5	<b>RC16M23GE1K</b>	0.070"	1.8	0.125"	3.2	-	Blue	K
	Machined	16-14	0.059"-0.098"	1.5-2.5	<b>RC14M30GE1K</b>	0.089"	2.26	-	-	-	Blue	K

Dimensions in inches (millimeters)

# Souriau UTSX series

## Coaxial contacts

We provides two types of coaxial contacts suitable for 48 or 75Ω, coaxial cable or twisted pair cable.

### Monocrimp coaxial contact

- The monocrimp one-piece coaxial contacts offer high reliability plus the economic advantage of a 95% reduction in installation time over conventional assembly methods. This is achieved by simultaneously crimping both the inner conductor and outer braid or drain wire.



### Multipiece crimp coaxial contact

- The inner conductor and outer braid is crimped individually.
- The thermoplastic insulating bushing in the outer body is designed to accept and permanently retain the inner contact.
- An outer ferrule is used to connect the braid to the outer contact and provide cable support to ensure against bending and vibration.



### Suitable for coaxial cable or twisted cable

- For jacket diameter from 0.070" to 0.120" (1.78 to 3.05). Inner conductor up to 0.096" (2.42) diameter
- For jacket diameter from 0.025" to 0.057" (0.64 to 1.45). Inner conductor from AWG30 to AWG24



### Contacts for coaxial cable summary

Contact type	Contact range	
	Male contact	Female contact
Multipiece	<b>RMDXK10D28</b>	<b>RCDXK1D28</b>
Monocrimp	<b>RMDX60xxD28</b>	<b>RCDX60xxD28</b>

### Contacts for twisted pairs cable summary

Contact type	Contact range	
	Male contact	Female contact
Multipiece	<b>RMDXK10D28 + Yorx090</b>	<b>RCDXK1D28 + Yorx090</b>
Monocrimp	<b>RMDX60xxD28</b>	<b>RCDX60xxD28</b>

## Coaxial cable - contact monocrimp and multipiece

Cable type	Impedance	Contact type	Ø over jacket		Ø over dielectric		Inner cond size Ext. Ø		Ø outer braid		Male contact kit for coaxial cable	Female contact kit for coaxial cable
			inch	mm	inch	mm	inch	mm	inch	mm		
RG161/U	75	Multi piece	0.09"	2.29	0.057"	1.45	–	–	–	–	RMDXK10D28	RCDXK1D28
RG179A/U	75	Multi piece	0.105"	2.67	0.063"	1.6	0.011"	0.3	0.084" max	2.13 max	RMDXK10D28	RCDXK1D28
RG179B/U	75	Multi piece	0.105"	2.67	0.063"	1.6	0.011"	0.3	0.084" max	2.13 max	RMDXK10D28	RCDXK1D28
RG187/U	75	Multi piece	0.11" max	2.79 max	0.06"	1.52	0.011"	0.3	–	–	RMDXK10D28	RCDXK1D28
RG188/U	48	Multi piece	0.11" max	2.79 max	0.06"	1.52	0.020"	0.51	0.078" max	1.98 max	RMDXK10D28	RCDXK1D28
RG174/U	48	Multi piece	0.11"	2.92	0.06"	1.52	0.018"	0.05	0.088" max	2.24 max	RMDXK10D28	RCDXK1D28
AMPHENOL 21–598	48	Multi piece	0.105"	2.67	0.06"	1.52	0.018"	0.05	–	–	RMDXK10D28	RCDXK1D28
RG196/U	48	Multi piece	0.08" max	2.03 max	0.034"	0.86	0.011"	0.3	–	–	RMDXK10D28	RCDXK1D28
RG152A/U	48	Multi piece	0.075"	1.91	0.034"	0.84	0.011"	0.3	0.054" max	1.37 max	RMDXK10D28	RCDXK1D28
RG188A/U	48	Mono crimp	0.110"	2.79	0.06"	1.52	0.020"	0.51	0.078" max	1.98 max	RMDX6036D28	RCDX6036D28
KX21TVT (europe) RG152 B/U	48	Mono crimp	0.075"	1.91	0.034"	0.84	0.011"	0.3	0.054" max	1.37 max	RMDX6034D28	RCDX6034D28
RG152 / BU	48	Mono crimp	0.075"	1.91	0.034"	0.84	0.011"	0.3	0.054" max	1.37 max	RMDX6050D28	RCDX6016D28
RG174/U	48	Mono crimp	0.115"	2.92	0.06"	1.52	0.018"	0.05	0.088" max	2.24 max	RMDX6032D28	RCDX6032D28
RG188A/U	48	Mono crimp	0.11"	2.79	0.06"	1.52	0.020"	0.51	0.078" max	1.98 max	RMDX6036D28	RCDX6036D28
RG316/U	48	Mono crimp	0.107"	2.72	0.06"	1.52	0.020"	0.51	0.078" max	2.05 max	RMDX6036D28	RCDX6036D28
raychem 5024A3111	48	Mono crimp	0.12"	3.05	0.083"	2.11	0.025"	0.64	0.097"	2.46	RMDX6052D28	RCDX6052D28
raychem 5026e1614	48	Mono crimp	0.083"	2.11	0.05"	1.27	0.018"	0.05	0.067"	1.7	RMDX6036D28	RCDX6036D28
surprenant pn 8134	–	Multi piece	0.1"	2.54	0.058"	1.47	0.011"	0.3	–	–	RMDXK10D28	RCDXK1D28
PRD PN 247AS-C1123–001	–	Mono crimp	0.103"	2.62	0.06"	1.52	0.020"	0.51	0.078"	1.98	RMDX6018D28	RCDX6018D28
PRD PN 247AS–C1251	–	Mono crimp	0.092"	2.34	0.05"	1.27	0.025"	0.64	0.067"	1.7	RMDX6018D28	RCDX6018D28
JUDD C15013010902	–	Mono crimp	0.087"	2.13	0.05"	1.27	0.018"	0.05	0.066"	1.67	RMDX6036D28	RCDX6036D28
CDC PIN22939200	–	Mono crimp	0.09"	2.29	0.048"	1.20	0.011"	0.3	0.064"	1.63	RMDX6046D28	RCDX6016D28
CDC PIN22939200	–	Mono crimp	0.09"	2.29	0.048"	1.20	0.011"	0.3	0.064"	1.63	RMDX6050D28	RCDX6016D28
CDC PIN245670000	–	Mono crimp	0.104"	2.64	0.067"	1.7	0.011"	0.3	0.083"	2.11	RMDX6050D28	RCDX6016D28
ampex	–	Mono crimp	0.114"	2.9	0.075"	1.91	0.014"	0.36	0.09"	1.29	RMDX6032D28	RCDX6032D28
TI PN 920580	–	Mono crimp	0.7"	1.78	0.038"	0.94	0.018"	0.05	0.054"	1.37	RMDX6024D28	RCDX6024D28
Honeywell PN 58000062	–	Mono crimp	0.12"	3.05	0.077"	1.94	0.016" solid	0.41 solid	0.096"	2.42	RMDX6026D28	RCDX6026D28
–	–	Mono crimp	0.104"	2.64	0.067"	1.7	0.011"	0.3	–	2.11	RMDX6050D28	–
–	–	Mono crimp	0.09"	2.29	0.048"	1.20	0.011"	0.3	–	1.63	RMDX6050D28	–
–	–	Mono crimp	0.114"	2.9	0.075"	1.91	0.014"	0.36	–	1.29	RMDX6032D28	RCDX6032D28
–	–	Mono crimp	0.07"	1.78	0.038"	0.94	0.018"	0.05	–	1.37	RMDX6024D28	RCDX6024D28
–	–	Mono crimp	0.12"	3.05	0.077"	1.94	0.016"	0.41	–	2.42	RMDX6026D28	RCDX6026D28

### Twisted cable - contact monocrimp and multipiece

Cable type	Contact type	Inner AWG cond	Ø over jacket (single wire)		Inner cond size		Ø outer braid		Male contact kit for coaxial cable	Female contact kit for coaxial cable	
			inch	mm	Stranded definition	Ext. Ø inch	mm	inch			mm
<b>2#24 stranded MIL-W-16878 type B</b>	Multi piece	24	0.049" max	1.24 max	7/.008	–	–	–	–	RMDXK10D28	RCDXK1D28
<b>2 #24 solid MIL-W-74 type LW</b>	Multi piece	24	0.047" max	1.12 max	1/.0201	–	–	–	–	RMDXK10D28	RCDXK1D28
<b>2 #26 stranded MIL-W-74 type LW or MIL-W-16878 type B&amp;E</b>	Multi piece	26	0.043" max	1.09 max	7/.0063	0.006"	0.16	–	–	RMDXK10D28	RCDXK1D28
<b>2 #26 solid MIL-W-81822/3</b>	Multi piece	26	0.028" max	0.71 max	–	–	–	–	–	RMDXK10D28	RCDXK1D28
<b>Twisted pair 1/201 solid MIL-W-74 type LW or MIL-W-16878</b>	Multi piece	26	0.044" max	1.12 max	1/.0201	0.020"	0.511	–	–	RMDXK10D28	RCDXK1D28
<b>Twisted pair solid MIL-W-81822/3</b>	Multi piece	26	0.028" max	0.71 max	1/.0126	0.012"	0.32	–	–	RMDXK10D28	RCDXK1D28
<b>#26 7/.0036 per Hitachi spec ec-711 (13-2820)</b>	Mono crimp	–	0.046"	1.17	7/.0036	–	–	–	–	RMDX6031D28 + YORX090	RCDX6031D28 + YORX090
<b>20218201</b>	Mono crimp	–	0.028"	0.71	–	–	–	–	–	RMDX6031D28 + YORX090	RCDX6031D28 + YORX090
<b>#30 solid</b>	Mono crimp	–	0.025"	0.64	–	–	–	–	–	RMDX6015D28 + YORX090	RCDX6015D28 + YORX090
<b>#26 7/.0063</b>	Mono crimp	26	0.028"	0.71	7/.0063	0.006"	0.16	–	–	RMDX6031D28 + YORX090	RCDX6031D28 + YORX090
<b>#26 19/.004</b>	Mono crimp	26	0.049"	1.24	19/.004	–	–	–	–	RMDX6019D28 + YORX090	RCDX6019D28 + YORX090
<b>#24 7/.008</b>	Mono crimp	24	0.049"	1.24	7/.008	–	–	–	–	RMDX6019D28 + YORX090	RCDX6019D28 + YORX090
<b>#24 19/.005</b>	Mono crimp	24	0.057"	1.45	19/.005	–	–	–	–	RMDX6019D28 + YORX090	RCDX6019D28 + YORX090
–	Mono crimp	26	–	1.25	–	–	–	0.748"x 0.004"	19x0.1	RMDX6019D28 + YORX090	RCDX6019D28 + YORX090
–	Mono crimp	24	–	1.25	–	–	–	0.275"x 0.007"	7x0.2	RMDX6019D28 + YORX090	RCDX6019D28 + YORX090
–	Mono crimp	24	–	1.45	–	–	–	0.748"x 0.005"	19x0.13	RMDX6019D28 + YORX090	RCDX6019D28 + YORX090
–	Mono crimp	26	–	0.7	–	–	–	0.275"x 0.006"	7x0.16	RMDX6031D28 + YORX090	RCDX6031D28 + YORX090

## PCB contacts supplied separately - UTSX standard series

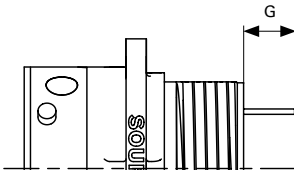
## PCB soldering



The UTSX series can be used in a wave soldering process but not reflow soldering process. All high temperature processes are prohibited.

Contact size	Type	Part number		Plating see Page 126
		Male	Female	
#20 Ø 0.039" (1)	Short version	RMW50A7K	RCW50A7K	K
	Long version	RMW5016K	RCW5016K	K
#16 Ø 0.062" (1.6)	Short version	RM20M12E8K	RC20M12E8K	K
	Long version	RM20M12E83K	RC20M12E83K	K
	Long version	RM20M12E83K	RC20M12E84K	K
#8 Ø 0.141" (3.6)	–	82911685NPC	82911684NPC	2 µm Ni
	–	82911685NAPC	82911684NAPC	3 µm Ag

## Minimal length G



Dimension of dip solder contacts out of connector (contacts to be ordered separately).

## UTSX0 with PCB contacts #16

Connector size	Pin contact				Socket contact									
	RM20M 12E8K*		RM20M 12E84K*		RM20M 12E84K*		RC20M 12E8K*		RC20M 12E83K*		RC20M 12E84K*		RC20M 12E87K*	
	inch	mm	inch	mm	inch	mm	inch	mm	inch	mm	inch	mm	inch	mm
10	0.165"	4.2	0.370"	9.4	0.507"	12.9	0.165"	4.2	0.370"	9.4	0.507"	12.9	0.255"	6.5
12	0.141"	3.6	0.346"	8.8	0.484"	12.3	0.165"	4.2	0.370"	9.4	0.507"	12.9	0.255"	6.5
14	0.129"	3.3	0.334"	8.5	0.472"	12.0	0.102"	2.6	0.307"	7.8	0.444"	11.3	0.192"	4.9
16	0.161"	4.1	0.362"	9.2	0.488"	12.4	0.126"	3.2	0.331"	8.4	0.469"	11.9	0.217"	5.5
18	0.161"	4.1	0.362"	9.2	0.488"	12.4	0.126"	3.2	0.331"	8.4	0.469"	11.9	0.217"	5.5

## UTSX7 with PCB contacts #20 and #16

Connector size	Pin contact				Socket contact									
	RM20M 12E83K*		RM20M 12E84K*		RMW 50A7K*		RMW 5016K*		RC20M 12E84K*		RCW 50A7K*		RCW 5016K*	
	inch	mm	inch	mm	inch	mm	inch	mm	inch	mm	inch	mm	inch	mm
10	0.287"	7.3	0.425"	10.8	0.330"	8.4	0.366"	9.3	0.141"	3.6	0.330"	8.4	0.366"	9.3
12	0.287"	7.3	0.425"	10.8	0.330"	8.4	0.366"	9.3	0.153"	3.9	0.330"	8.4	0.366"	9.3
14	0.287"	7.3	0.425"	10.8	0.330"	8.4	0.366"	9.3	0.141"	3.6	–	–	–	–
16	0.362"	9.2	0.488"	12.4	0.358"	9.1	0.394"	10.0	0.181"	4.6	–	–	–	–
18	0.362"	9.2	0.488"	12.4	0.358"	9.1	0.394"	10.0	0.181"	4.6	–	–	–	–

\* Plating indication see Page 198

## UTSX7 with PCB contacts #16 and #8

Connector size	Pin contact				Socket contact			
	RM20M12E83K*		82911685NPC*		RC20M12E87K*		82911684NPC*	
	inch	mm	inch	mm	inch	mm	inch	mm
UTSX7142G1P	–	–	0.251"	6.4	–	–	–	–
UTSX7142G1S	–	–	–	–	–	–	0.322"	8.2

\* Plating indication see Page 198

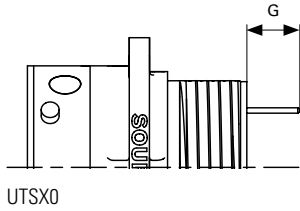
### PCB contacts loaded - UTSX sealed unmated series

#### PCB soldering

The UTSX series can be used in a wave soldering process, but not reflow soldering process. All high temperature processes are prohibited.

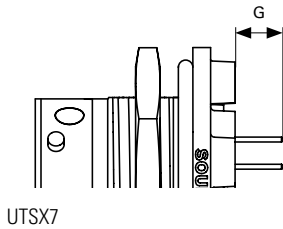
#### Minimal length G

Dimension of dipsolder contacts out of connector (contacts to be ordered separately).



#### UTSX0

Connector size	Connector part number	Pin contact G min		G max		Socket contact G min		G max	
		inch	mm	inch	mm	inch	mm	inch	mm
<b>10</b>	10D6 - 10D98 - 10D7	0.318"	8.1	0.401"	10.2	0.318"	8.1	0.405"	10.3
<b>12</b>	12D2 - 12D3 - 12D8 - 12D10	0.318"	8.1	0.401"	10.2	0.318"	8.1	0.405"	10.3
	12D4	0.322"	8.2	0.393"	10	0.318"	8.1	0.405"	10.3
	12D14	0.283"	7.2	0.354"	9	0.279"	7.1	0.362"	9.2
<b>14</b>	14D5 - 14D12 - 14D15 14D18 - 14D19	0.318"	8.1	0.401"	10.2	0.318"	8.1	0.405"	10.3
	14D7	0.322"	8.2	0.393"	10	0.318"	8.1	0.405"	10.3
<b>16</b>	16D8 - 16D23 - 16D26	0.189"	4.8	0.275"	7.0	0.189"	4.8	0.275"	7.0
<b>18</b>	18D11 - 18D30 - 18D32	0.189"	4.8	0.275"	7.0	0.189"	4.8	0.275"	7.0



#### UTSX7

Connector size	Connector part number	Pin contact G min		G max		Socket contact G min		G max	
		inch	mm	inch	mm	inch	mm	inch	mm
<b>10</b>	10D6 - 10D98 - 10D7	0.185"	4.7	0.287"	7.3	0.185"	4.7	0.275"	7
<b>12</b>	12D2 - 12D3 - 12D8 - 12D10	0.185"	4.7	0.287"	7.3	0.188"	4.8	0.275"	7
	12D4	0.192"	4.9	0.279"	7.1	0.188"	4.8	0.275"	7
	12D14	0.153"	3.9	0.244"	6.2	0.149"	3.8	0.236"	6
<b>14</b>	14D5 - 14D12 - 14D15 14D18 - 14D19	0.188"	4.8	0.287"	7.3	0.192"	4.9	0.275"	7
	14D7	0.192"	4.9	0.279"	7.1	0.192"	4.9	0.275"	7
<b>16</b>	16D8 - 16D23 - 16D26	0.189"	4.8	0.275"	7.0	0.189"	4.8	0.275"	7.0
<b>18</b>	18D11 - 18D30 - 18D32	0.189"	4.8	0.275"	7.0	0.189"	4.8	0.275"	7.0

## Size 16 fiber optic contacts for UTSX and other TRIM TRIO® connectors

### POF



### Description

Size 16 fiber optic contacts are designed for the integration of optical links in UTSX and other TRIM TRIO® cable connectors.

The fiber optic contacts are designed to accommodate:

- Plastic optical fiber (POF) 0.039" (1) core and 0.086" (2.2) jacket

Typical features and benefits are:

- Socket contact is spring loaded to avoid any air gap between the two optical faces.
- High precision pieces provide low insertion loss.
- We can provide custom harness solutions for specific customer requirements including single jumpers, multiways harness and active device housings.

## Technical specifications

### Performance

- Fiber type: POF
- Wave length: 650 nm
- Optical insertion loss (typ.): 2 dB max.
- Jacketed external diameter: 0.086" (2.2)
- Temperature range: -25°C to +70°C
- Cable retention: 49N
- Mating cycles without cleaning: 48
- Max. mating cycles: 500

### Construction

- Contact body: copper alloy

### Connector accommodation

Any TRIM TRIO® size 16 contact can be used in any contact position in any connector in the TRIM TRIO® size 16 interconnection system: UTP, UTGX, UTS, UTSX, UTO and UTL.

# Souriau UTSX series

Fiber optic contacts

## Ordering information

### Plastic optical fiber contact

Male contact	Female contact
RMP0F1000	–

### Plastic optical fiber tools

Standard tooling kit - P/N 80MS0004

The standard tooling kit is made of the part numbers below that can be ordered separately as well.

Part number	Descriptions
80WD0005	Stripping tool
80WD0025	Automatic stripping tool for Ø 0.196" (0.5), 0.023" (0.6), 0.027" (0.7) and 0.149" (3.8)
80WM0006	Ruler
80WP0005	Polishing plate
80WP0013	Non slip base (to hold the polishing plate)
80WP0014	Polishing disk (grain size 9µm)
80WP0018	Polishing tool
80WP0019	Polishing disk (grain size 30µm)
80WS0002	Crimping plier

Specific tooling list - Can only be ordered separately

Part number	Descriptions
80WG0010	Needle
80WG0015	Capsule
80WG0016	Syringe
80WN0005	Dry air spray
80WN0006	Optical paper
80WN0012	Dropper bottle
80WN0008	Wiping solvent

## Crimping tools for standard contacts

Contact size	Part number	Head*	Handles*	Extraction tools
#20 Ø 0.039" (1)	RM/RC 24W3K	S20RCM	SHANDLES	RX20D44
	RM/RC 20W3K	S20RCM	SHANDLES	RX20D44
	RM/RC 18W3K	S20RCM	SHANDLES	RX20D44
	SM 24WL3S*(1)	S20SCM20	SHANDLES	RX20D44
	SC 24WL3S*(1)	S20SCM20	SHANDLES	RX20D44
#16 Ø 0.062" (1.6)	SM/SC 20WL3S*(1)	S20SCM20	SHANDLES	RX20D44
	RM/RC 28M1*	S16RCM20	SHANDLES	RX2025GE1 or RX2031J long endurance tool
	RM/RC 24M9*	S16RCM20	SHANDLES	RX2025GE1 or RX2031J long endurance tool
	RM/RC 20M13*	S16RCM20	SHANDLES	RX2025GE1 or RX2031J long endurance tool
	RM/RC 20M12*	S16RCM20	SHANDLES	RX2025GE1 or RX2031J long endurance tool
	RM/RC 16M23*	S16RCM16	SHANDLES	RX2025GE1 or RX2031J long endurance tool
	RM/RC 14M30*	S16RCM14	SHANDLES	RX2025GE1 or RX2031J long endurance tool
	SM/SC 24ML1*(1)	S16SCM20	SHANDLES	RX2025GE1 or RX2031J long endurance tool
	SM/SC 20ML1*(1)	S16SCM20	SHANDLES	RX2025GE1 or RX2031J long endurance tool
	SM/SC 16ML1*(1)	S16SCML1	SHANDLES	RX2025GE1 or RX2031J long endurance tool
	SM/SC 14ML1*(1)	S16SCML1	SHANDLES	RX2025GE1 or RX2031J long endurance tool
SM/SC 16ML11*(1)	S16SCML11	SHANDLES	RX2025GE1 or RX2031J long endurance tool	

(1) loose contact

\*endurance of SHANDLES and Head tools = 48,000 cycles

Contact size	Part number	Tool with separate locator		Extraction tools
		Hand tool	Positioner + locator setting	
#12 Ø 0.094" (2.4)	82911457N* / 82911456*	M317	VGE10077A 1/2	51060210924
	82911459N* / 82911458*	M317	VGE10077A 2	51060210924
	82911461N* / 82911460*	M317	VGE10077A 2	51060210924
	82911463N* / 82911462*	M317	VGE10077A 3	51060210924
	82911465N* / 82911464*	M317	VGE10077A 3	51060210924
	82911467N* / 82911466*	M317	VGE10077A 4	51060210924
#8 Ø 0.141" (3.6)	82913601A / 82913600A	M317	VGE10078A 3	51060210936
	82913603A / 82913602A	M317	VGE10078A 3	51060210936
	82913605A / 82913604A	M317	VGE10078A 4	51060210936
	82913607A / 82913606A	M317	VGE10078A 5	51060210936
	82913609A / 82913608A	M317	VGE10078A 6/7	51060210936

\* see Page 198 for plating options and other contact details

## Crimping tools for specific contacts (First mate, last break contacts)

Contact size	Part number*	Hand tools (SHANDLES) Head	Tool with separate locator		Extraction tools
			Hand tool	Positioner + locator setting	
#16 Ø 0.094" (1.6) Longer RM contact	RM28M1GE1K	S16RCM20	MH860	MH86186 4/6	RX2025GE1 or RX2031J long endurance tool
	RM24M9GE1K	S16RCM20	MH860	MH86186 5/6	RX2025GE1 or RX2031J long endurance tool
	RM16M23GE1K RM20M12GE1K	S16RCM16	MH860	MH86186 6/8	RX2025GE1 or RX2031J long endurance tool
	RM14M30GE1K	S16RCM14	M317	UH25 3	RX2025GE1 or RX2031J long endurance tool
#16 Ø 0.094" (1.6) Shorter RC contact	RC28M1GE7K	S16RCM20	MH860	MH86164G 4/6	RX2025GE1 or RX2031J long endurance tool
	RC24M9GE7K	S16RCM20	MH860	MH86164G 5/6	RX2025GE1 or RX2031J long endurance tool
	RC20M13GE7K RC20M12GE7K	S16RCM20	MH860	MH86164G 5/7	RX2025GE1 or RX2031J long endurance tool
	RC16M23GE7K	S16RCM16	MH860	MH86164G 6/8	RX2025GE1 or RX2031J long endurance tool
	RC14M30GE7K	S16RCM14	M317	UH25 3	RX2025GE1 or RX2031J long endurance tool

\* see Page 201 for plating options and other contact details

## Coaxial contacts

Please consult us.

### M20S-1J crimp tool

Contact part number					M20S-1J				
Contact size	Pin	Socket	Cable type	Notes	Die	Stop bushing	Die kit (die + stop bushing)	PG check-gauge for die	
#16 (Ø 1.6mm)	RM28M1*	RC28M1*	AWG 30-28	N/A	S-9K 1	SL-40K	N/A	PG-246-1K	
	RM24M9*	RC24M9*	AWG 24	N/A	S-9K 1	SL-40K	N/A	PG-246-1K	
	RM24M9*	RCS24M9*	AWG 24	N/A	S-10K	SL-40K	N/A	PG-246K	
	RM20M14*	RC20M14*	AWG 22-20	N/A	S-10JK	SL-40K	N/A	PG-246K	
	RM20M14*	RCS20M14*	AWG 22-20	N/A	S-10JK	SL-40K	N/A	PG-246K	
	RM20M13*	RC20M13*	AWG 22-20	N/A	S-10K	SL-40K	N/A	PG-246K	
	RM20M13*	RCS20M13*	AWG 22-20	N/A	S-10K	SL-40K	N/A	PG-246K	
	RM20M12*	RC20M12*	AWG 22-20	N/A	S-10K	SL-40K	N/A	PG-246K	
	RM20M12*	RCS20M12*	AWG 22-20	N/A	S-10K	SL-40K	N/A	PG-246K	
	RM16M23*	RC16M23*	AWG 20-16	N/A	S-3D1K	SL-39K	N/A	PG-214K	
	RM16M23*	RCS16M23*	AWG 20-16	N/A	S-3D1K	SL-40K	N/A	PG-214K	
	RM14M50*	RC14M50*	AWG 16-14	N/A	S-3-14K	SL-40K	N/A	PG-246-2K	
	RM14M50*	RCS14M50*	AWG 16-14	N/A	S-3-14K	SL-40K	N/A	PG-246-2K	
	RM14M30*	RC14M30*	AWG 14	N/A	N/A				
	RMDXK-1JG, (S)YOC-074J RFD26L-1D28	RCDXK-1JG ((S)RM- D26L-1JD28, (S)YOC-074J, RCDX60-2D28)	RG161/U, RG179B/U, RG187A/U	INNER CONTACT (RFD26L-1D28/((S)RM- D26L-1JD28,)	S-23D2	SL-46D2K	N/A	PG-266	
	RMDX60-2D28 ) RMDXK-1JG, (S)YOC-074J RFD26L-1D28	RCDXK-1JG ((S)RM- D26L-1JD28, (S)YOC-074J, RCDX60-2D28)	RG161/U, RG179B/U, RG187A/U	OUTER CONTACT (RM- DX602D28/RCDX602D28)	S-68J	SL-92K	N/A	PG-297	
	RMDX60-2D28 ) RMDXK-1JG, (S)YOC-074J RFD26L-1D28	RCDXK-1JG ((S)RM- D26L-1JD28, (S)YOC-074J, RCDX60-2D28)	RG174/U, RG188A/U	INNER CONTACT (RFD26L-1D28/((S)RM- D26L-1JD28,)	S-26D2	SL-46D2K	N/A	N/A	
	RMDX60-2D28 ) RMDXK-1JG, (S)YOC-074J RFD26L-1D28	RCDXK-1JG ((S)RM- D26L-1JD28, (S)YOC-074J, RCDX60-2D28)	RG174/U, RG188A/U	OUTER CONTACT (RM- DX602D28/RCDX602D28)	S-68J	SL-92K	N/A	PG-297	
	RMDXK-10 ((S)YOC- 074J, RFD26L-1D28, RMDX60-2D28, RMDXB055-3)	RCDXK-1((S)RM- D26L-1JD28, (S) YOC-074J, RCDX60-2D28, RCDXB055-1)	RG178B/U, RG196A/U	INNER CONTACT (RFD26L-1D28/((S)RM- D26L-1JD28,)	S-23D2	SL-46D2K	N/A	PG-266	
		RCDXK-1((S)RM- D26L-1JD28, (S) YOC-074J, RCDX60-2D28, RCDXB055-1)	RG178B/U, RG196A/U	OUTER CONTACT (RM- DX602D28/RCDX602D28)	S-68J	SL-92K	N/A	PG-297	
	RMDXK-J20	RCDXK-J2	#26 twist pair 2-7/0.16, #24 twist pair 2-7/0.2, 2-1/0.5	INNER CONTACT	S-26D2	SL-46D2K	N/A	N/A	
	RMDXK-J20	RCDXK-J2	#26 twist pair 2-7/0.16, #24 twist pair 2-7/0.2, 2-1/0.5	OUTER CONTACT	S-68J	SL-92K	N/A	PG-297	
	RMDX6032D28	RCDX6032D28	see <b>Page 166</b>	MONOCRIMP	S-80J	SL-105K	N/A	N/A	
	RMDX6036D28	RMDX6036D28	see <b>Page 166</b>	MONOCRIMP	S-80J	SL-105K	N/A	N/A	
	RMDXK10D28	RCDXK1D28	RG161U, RG179, RG187U, RG178A/U, RG196U	INNER CONTACT	S-23D2	SL-46D2K	N/A	N/A	
	RMDXK10D28	RCDXK1D28	RG161U, RG179, RG187U, RG178A/U, RG196U	OUTER CONTACT	S-22-1J	SL-47-1J	N/A	N/A	
	RMDXK10D28	RCDXK1D28	RG188/U, RG174/U	INNER CONTACT	S-26D2	SL-46D2K	N/A	N/A	
	RMDXK10D28	RCDXK1D28	RG188/U, RG174/U	OUTER CONTACT	S-22-1J	SL-47-1J	N/A	N/A	
	#12 (Ø2.4mm)	82911459N*	82911458*	AWG 20	N/A	N/A		S8291-2AKIT	PG-8291-2K
		82911461N*	82911460*	AWG 18	N/A	N/A		S8291-2AKIT	PG-8291-2K
82911463N*		82911462*	AWG 16	N/A	N/A		S8291-3AKIT	PG-8291-3K	
82911465N*		82911464*	AWG 14	N/A	N/A		S8291-3AKIT	PG-8291-3K	
82911467N*		82911466*	AWG 12	N/A	N/A		S8291-4AKIT	PG-8291-4K	
82911467N*		82911466*	AWG 12	N/A	N/A		S8291-4AKIT	PG-8291-4K	
#8 (Ø3.6mm)	82913601A	82913600A	AWG 16	N/A	N/A		S8291-3BKIT	PG-8291-3K	
	82913603A	82913602A	AWG 14	N/A	N/A		S8291-3BKIT	PG-8291-3K	
	82913605A	82913604A	AWG 12	N/A	N/A		S8291-4BKIT	PG-8291-4K	
	82913607A	82913606A	AWG 10	N/A	N/A		S8291-5BKIT	PG-8291-5K	

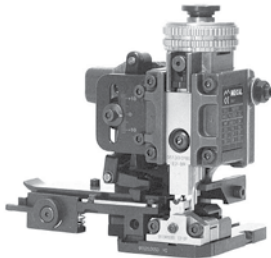
1. When crimping RC/RCS/RM24-9\* if the insulator diameter is smaller than 1.4mm, use S-9 or S-9K

**Automatic crimping tools**

Contact Mecal for semi-automatic production tools.

Mecal sales network:

[www.mecal.net](http://www.mecal.net)



Min Applicator



Stripper



Presses

**Extraction tool**



RX20D44



51060210924



RX2031J



RX2025GE1



51060210936

Contact size	Part number
#20	RX20D44
#16	RX2025GE1
#16 Long endurance tool	RX2031J
#12	51060210924
#8	51060210936

**Contact extraction instruction**



Place the tool into the cavity from front face of the connector, push on the handle, then remove the contact.

# Souriau UTSX series

## Crimping instructions

### Wire stripping crimp version

#### Machined contact



Contact size	Part number		Stripping length L	
	Male	Female	inch	mm
#20 Ø 0.039" (1)	RM24W3- / RM20W3- RM18W3-	RC24W3- / RC20W3- RC18W3-	0.188"	4.8
#16 Ø 0.062" (1.6)	RM28M1- / RM24M9- RM20M13- / RM20M12-	RC28M1- / RC24M9- RC20M13- / RC20M12-	0.188"	4.8
	RM16M23- / RM14M30-	RC16M23- / RC14M30-	0.279"	7.1
#8 Ø 0.141" (3.6)	82913601- / 82913603- 82913605- / 82913607-82913609-	82913600- / 82913602-82913604- / 82913606- 82913608-	0.255" to 0.295"	6.5 to 7.5

#### Stamped and formed with insulation support



Contact size	Part number		Stripping length L	
	Male	Female	inch	mm
#20 Ø 0.039" (1)	SM24W3- / SM24WL3- SM20W3- / SM20WL3-	SC24W3- / SC24WL3- SC20W3- / SC20WL3-	0.157"	4
#16 Ø 0.062" (1.6)	SM24M1- / SM24ML1- SM20M1- / SM20ML1-	SC24M1- / SC24ML1- SC20M1- / SC20ML1-	0.157"	4
	SM16M11- / SM16ML11-	SC16M11- / SC16ML11-	0.183"	4.65

#### Stamped and formed without insulation support



Contact size	Part number		Stripping length L	
	Male	Female	inch	mm
#16 Ø 0.062" (1.6)	SM16M1- / SM16ML1-	SC16M1- / SC16ML1-	0.250"	6.35
	SM14M1- / SM14ML1-	SC14M1- / SC14ML1-	0.250"	6.35

#### Power contacts



Contact size	Part number		Stripping length L	
	Male	Female	inch	mm
#12 Ø 0.094" (2.4)	82911457- / 82911459-82911461- / 82911463-82911465- / 82911467-	82911456- / 82911458-82911460- / 82911462-82911464- / 82911466-	0.275" to 0.314"	7 to 8
#8 Ø 0.141" (3.6)	82913601- / 82913603-82913605- / 82913607-82913609-	82913600- / 82913602-82913604- / 82913606-82913608-	0.255" to 0.295"	6.5 to 7.5

Note: See Page 198 for plating options and other contact details

### Wire stripping solder and screw versions

#### Solder contact delivered with connector



Contact size	Stripping length L	
	inch	mm
#16 / Ø 0.062" (1.6) and #20 / Ø 0.039" (1)	0.196"	5

#### Screw contact delivered with connector



Contact size	Stripping length L	
	inch	mm
#16 / Ø 0.062" (1.6)	0.228"	5.8

Dimensions in inches (millimeters)

### Crimping

One of the key factors which affects the performance of a connector is the way contacts are terminated. Crimped connections are nowadays seen as the best solution to ensure quality throughout the lifetime of the product.



Active contact part	Contact type	Die location on heads	Wire section range	Section		Tensile straight test (min)	Height W ±0.002" (±0.075)		Width W ±0.002" (±0.075)		Tooling head part number
				inch <sup>2</sup>	mm <sup>2</sup>		inch	mm	inch	mm	
Machined contacts size #20 Ø 0.039" (1)	RM24W3K RC24W3K	26/24	26 AWG	0.004" min	0.12 min	15 N	0.037"	0.95	0.05"	1.27	S20RCM
	RM20W3K RC20W3K	26/24	24 AWG	0.009" max	0.25 max	32 N	0.037"	0.95	0.05"	1.27	S20RCM
		22/20	22 AWG	0.012" min	0.32 min	40 N	0.049"	1.26	0.070"	1.78	S20RCM
	20 AWG		0.019" max	0.50 max	60 N	0.049"	1.26	0.070"	1.78	S20RCM	
RM18W3K RC18W3K	20/18	20 AWG	0.019" max	0.50 max	60 N	0.053"	1.35	0.073"	1.86	S20RCM	
	18 AWG		0.032" max	0.82 max	90 N	0.053"	1.35	0.073"	1.86	S20RCM	
S and F contacts size #20 Ø 0.039" (1)	SM24WL3TK6* SC24WL3TK6*	26/24	26 AWG	0.004" min	0.12 min	15 N	0.031"	0.80	0.058"	1.49	S20SCM20
	SM20WL3TK6* SC20WL3TK6*	26/24	24 AWG	0.009" max	0.25 max	32 N	0.031"	0.80	0.058"	1.49	S20SCM20
		22/20	22 AWG	0.012" min	0.32 min	40 N	0.039"	1.01	0.060"	1.53	S20SCM20
	20 AWG		0.019" max	0.50 max	60 N	0.039"	1.01	0.060"	1.53	S20SCM20	
Machined contacts size #16 Ø 0.062" (1.6)	RM28M1K* RC28M1K*	30/28	30 AWG	0.002" min	0.05 min	11 N	0.044"	1.14	0.055"	1.41	S16RCM20
	RM24M9K* RC24M9K*	30/28	28 AWG	0.003" max	0.08 max	6 N	0.044"	1.14	0.055"	1.41	S16RCM20
		26/24	26 AWG	0.004" min	0.12 min	15 N	0.045"	1.15	0.055"	1.41	S16RCM20
	26/24	24 AWG	0.009" max	0.25 max	32 N	0.045"	1.15	0.055"	1.41	S16RCM20	
	RM20M13K* RC20M13K*	22/20	22 AWG	0.012" min	0.32 min	40 N	0.049"	1.26	0.069"	1.76	S16RCM20
		20 AWG		0.019" max	0.50 max	60 N	0.049"	1.26	0.069"	1.76	S16RCM20
	RM20M12K* RC20M12K*	22/20	22 AWG	0.012" min	0.32 min	40 N	0.049"	1.26	0.069"	1.76	S16RCM20
		20 AWG		0.019" max	0.50 max	60 N	0.049"	1.26	0.069"	1.76	S16RCM20
	RM16M23K* RC16M23K*	18	18 AWG	0.032" max	0.82 max	90 N	0.070"	1.80	0.089"	2.28	S16RCM16
		16	16 AWG	0.059" max	1.50 max	150 N	0.077"	1.96	0.095"	2.43	S16RCM16
S and F contacts size #16 Ø 0.062" (1.6)	RM14M30K* RC14M30K*	16	16 AWG	0.059" min	1.50 min	150 N	0.082"	2.10	0.105"	2.68	S16RCM14
	SM14ML1TK6* SC14ML1TK6*	14	14 AWG	0.098" min	2.50 min	230 N	2.3	2.30	0.109"	2.78	S16RCM14
		26/24	26 AWG	0.004" min	0.12 min	15 N	0.033"	0.84	0.059"	1.50	S16SCM20
	26/24	24 AWG	0.009" max	0.25 max	32 N	0.033"	0.84	0.059"	1.50	S16SCM20	
	SM20ML1TK6* SC20ML1TK6*	22/20	22 AWG	0.012" min	0.32 min	40 N	0.040"	1.02	0.060"	1.54	S16SCM20
		20 AWG		0.019" max	0.50 max	60 N	0.040"	1.02	0.060"	1.54	S16SCM20
	SM16ML11TK6* SC16ML11TK6*	18	18 AWG	0.032" min	0.82 min	90 N	0.051"	1.32	0.082"	2.09	S16SCML11
	16	16 AWG	0.059" max	1.50 max	150 N	0.053"	1.36	0.082"	2.10	S16SCML11	
SM16ML1TK6* SC16ML1TK6*	18	18 AWG	0.032" min	0.82 min	90 N	0.058"	1.149	0.079"	2.02	S16SCML1	
	16	16 AWG	0.059" max	1.50 max	150 N	0.066"	1.70	0.080"	2.05	S16SCML1	
SM14ML1TK6* SC14ML1TK6*	14	14 AWG	0.098" max	2.50 max	230 N	0.070"	1.79	0.101"	2.58	S16SCML1	

\* example of plating, for other plating see Page 126

Note: Assembly operations mentioned above shall not interfere with or be in contradiction with the IPC-WHMA-A-620B

Dimensions in inches (millimeters)

# Souriau UTSX series

Handle and interchangeable heads for crimp contacts

## Crimping tooling



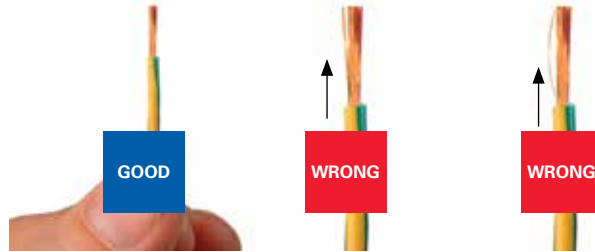
1) Fully close then release the tool, keep it open.  
Open the two pins.



2) Choose the adapter head (sold separately). Keep vertical and slide it into the handle until the mechanical stop.



3) Close the two pins simultaneously to maintain the head.



4) Strip the cable properly by checking the recommended size in the catalog on Page 211.



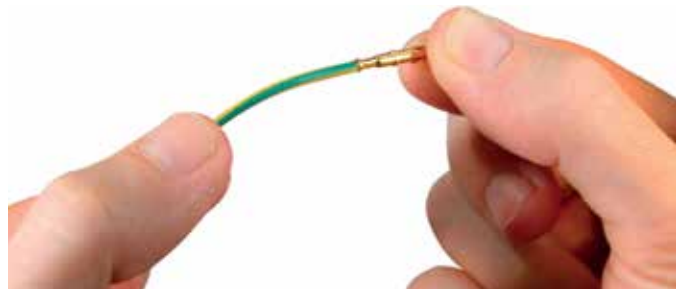
5) Place conductors, with no deterioration, in the contact bucket. All strands to be located in the crimp bucket.



6) Position the contact in the bottom of the tool by checking its orientation. Maintain the wire in position.



7) Tighten the handles to the end of the mechanism (max 175 N).  
After handles are opened, extract the contact.

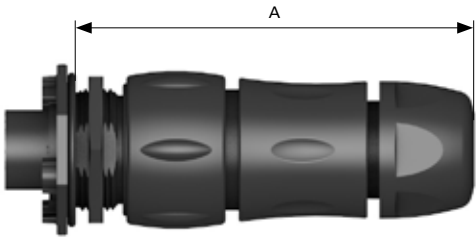


8) Control the quality of crimping (see Page 212).

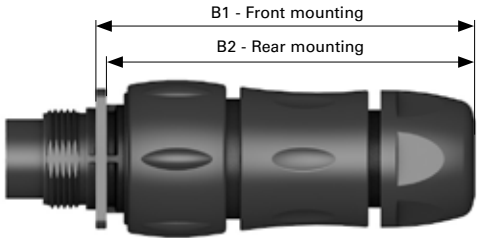
**Note:** Assembly operations mentioned above shall not interfere or to be in contradiction with the IPC-WHMA-A-620B

**Mated connector lengths**

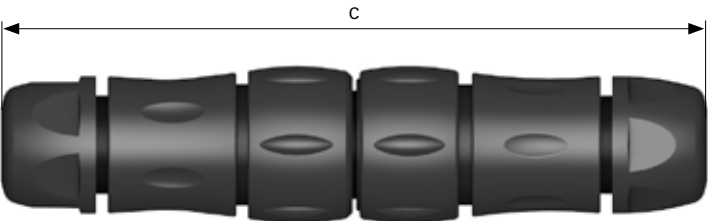
**UTSX7 + UTSX6JC**



**UTSX0 + UTSX6JC**



**UTSX1JC + UTSX6JC**



Shell size	UTSX7 + UTSX-6JC A max		UTSX0 + UTSX-6JC B1 max		B2 max		UTSX1JC + UTSX6JC C max	
	inch	mm	inch	mm	inch	mm	inch	mm
10	2.992"	74	2.836"	72	2.736"	69.5	5.196"	132
12	3.110"	79	2.952"	75	2.874"	73	5.433"	138
14	3.366"	85.5	3.208"	81.5	3.110"	79	5.925"	150.5
16	3.661"	93	3.464"	88	3.386"	86	6.457"	164
18	3.858"	98	3.701"	94	3.622"	92	6.850"	174

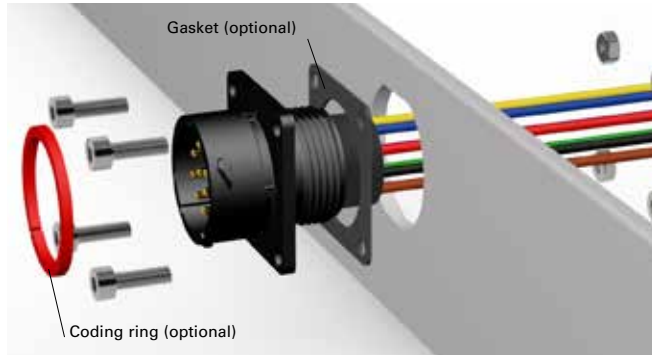
# Souriau UTSX series

## Assembly instructions

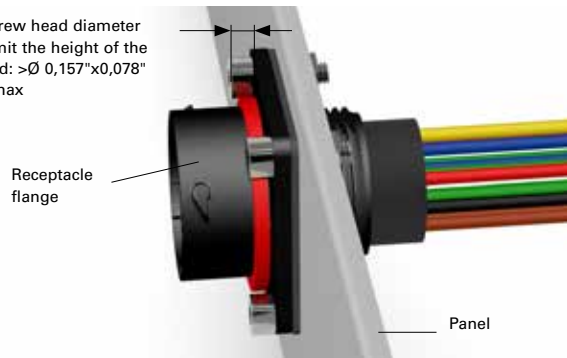
### UTSX0 or UTSX0JC assembly (mounting suggestion)

- Strip wires, crimp or solder contacts (see **Pages 212 and 213**)
- Insert contacts into connector cavities (insert manually or use tool RTM205 crimp contacts)
- Place receptacle in the panel cut-out
- Secure receptacle with screws (not supplied)
- Tighten screws: M2.5 (recommended torque: see table below)
- Warning: to prevent any mating issue with the plug counterpart, take into account the following dimensions of screw heads and panel thickness
- For complete sealing of the system use optional gasket and sealed screw solution (not sold by Eaton).

#### Front mounting



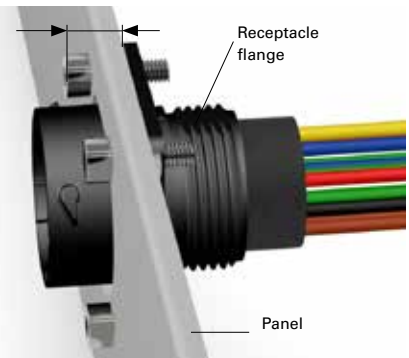
A large screw head diameter may limit the height of the screw head:  $> \varnothing 0,157" \times 0,078"$  (4.5x2.5) max



#### Rear mounting

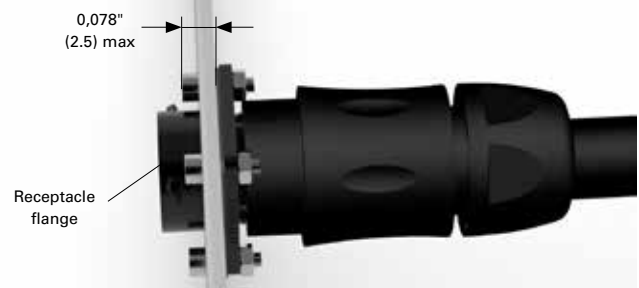
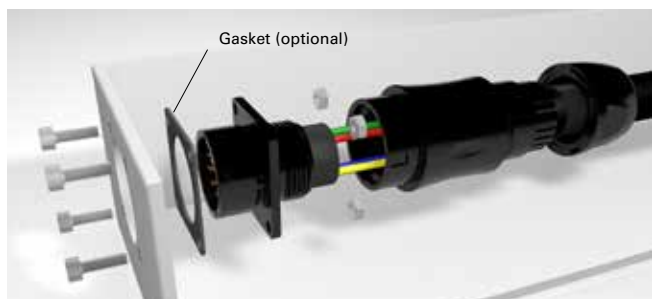


A large screw head diameter may limit the height of the screw head:  $> \varnothing 0,157" \times 0,078"$  (4.5x2.5) max



Shell size	Screw tightening torque (Nm)
10	0.30/0.40
12	0.30/0.40
14	0.30/0.40
16	0.30 / 0.40
18	0.35 / 0.45

#### UTSX0JC rear mounting

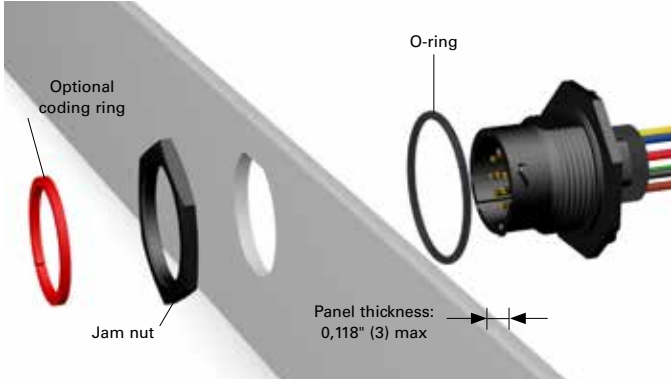


Dimensions in inches (millimeters)

**UTSX7 assembly (mounting suggestion)**

- Strip wires and crimp contacts (see **Pages 212 and 213**)
- Insert contacts into connector cavities (insert manually or use tool RTM205 crimp contacts)
- Seat o-ring, place receptacle in the panel cut-out
- Tighten jam nut

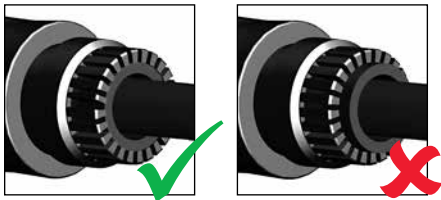
**Crimp or solder version**



Shell size	Jam nut torque (Nm) max	Exterior jam nut dim.		Ø Wire Standard version max		Discrete wire sealing	
		inch	mm	inch	mm	inch	mm
10	3	0.874"	20.2	1.125"	3.2		
12	4	1.062"	27.0	1.125"	3.2	From 0.066"	From 1.7 to
14	5	1.185"	30.1	1.125"	3.2	0.118"	3.0
16	5	1.311"	33.3	1.125"	3.2		
18	5	1.438"	36.5	1.125"	3.2		

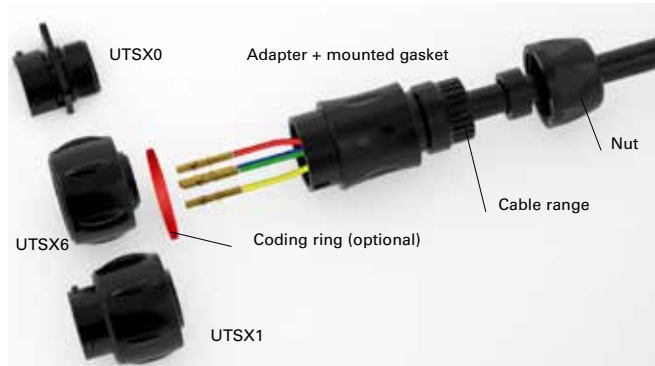
**UTSX0JC, UTSX1JC or UTSX6JC assembly: crimp version**

- Slide accessories onto the cable

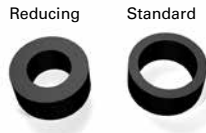


Make sure the seal is positioned as shown.

- Mate the plug with a corresponding counter part
- Strip external cable jacket
- Strip wires and crimp contacts (see **Pages 140 and 141**)
- Insert contacts into connector cavities (insert manually or use tool RTM205)
- Tighten adapter with plug UTSX6 or receptacle UTSX1, choose right seal (waste the other seal)
- Tighten the nut to rear of either UTSX1 or UTSX6 (recommended torque values to be applied according to table below)
- Caution: only one of the two gaskets included should be used!



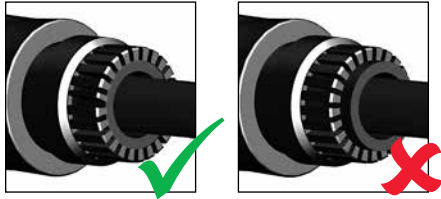
**Cable ranges**



Shell size	Recommended jacket strip length				Adapter tightening torque (Nm)	Nut tightening torque (Nm)	Ø Cable range Standard seal inch	Ø Cable range Reducing seal mm	Ø Wire inch	mm		
	Male inch	mm	Female inch	mm								
10	0.826"	21	1.141"	29	1.5	1	0.098"/0.314"	2.5/8.0	0.059"/0.196"	1.5/5.0		
12	0.984"	25	1.299"	33	2.5	2	0.196"/0.472"	5.0/12.0	0.118"/0.354"	3.0/9.0	From 0.066"	From 1.7 to
14	1.141"	29	1.417"	36	3	2.5	0.275"/0.551"	7.0/14.0	0.196"/0.472"	5.0/12.0	to 0.118"	to 3.0
16	1.259"	32	1.574"	40	2	3.5	0.472"/0.630"	12.0/16.0	0.354"/0.472"	9.0/12.0		
18	1.259"	32	1.574"	40	2.5	3.5	0.512"/0.709"	13.0/18.0	0.433"/0.590"	11.0/15.0		

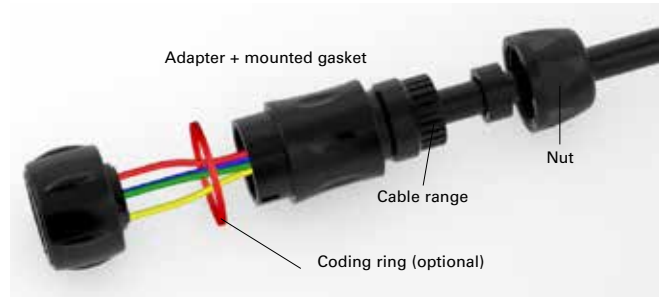
### UTSX6JC assembly: solder version

- Slide accessories onto the cable

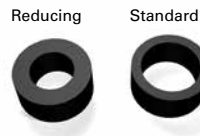


Make sure the seal is positioned as shown.

- Mate the plug with a corresponding receptacle
- Strip external cable jacket (see **Pages 212 and 213**)
- Solder contacts
- Tighten adapter with plug, choose right seal (waste the other seal)
- Tighten the nut to rear of either UTSX6 (recommended torque values to be applied according table to the right)
- Caution: only one of the two gaskets included should be used!



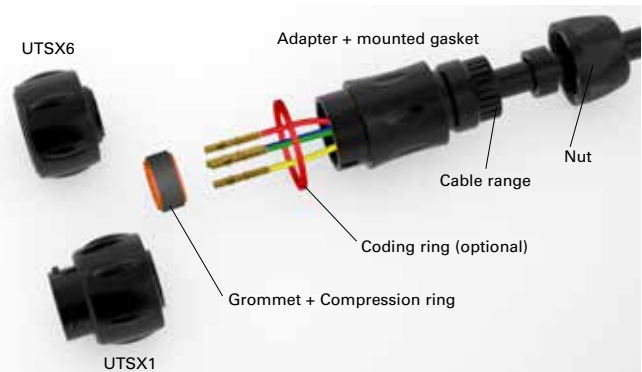
#### Cable ranges



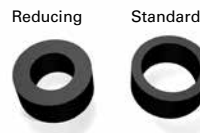
Shell size	Recommended jacket strip length Male		Adapter tightening torque (Nm)	Nut tightening torque (Nm)	Ø Cable range Standard seal		Ø Cable range Reducing seal		Ø Wire	
	inch	mm			inch	mm	inch	mm	inch	mm
10	0.826"	21	1.5	1	0.098"/0.314"	2.5/8.0	0.059"/0.196"	1.5/5.0		
12	0.984"	25	2.5	2	0.196"/0.472"	5.0/12.0	0.118"/0.354"	3.0/9.0	From	From
14	1.141"	29	3	2.5	0.275"/0.551"	7.0/14.0	0.196"/0.472"	5.0/12.0	0.066"	1.7
16	1.653"	42	2	3.5	0.472"/0.630"	12.0/16.0	0.354"/0.472"	9.0/12.0	to	to
18	1.653"	42	2.5	3.5	0.512"/0.709"	13.0/18.0	0.433"/0.590"	11.0/15.0	0.118"	3.0

### UTSX1GJC or UTSX6GJC assembly

- Slide accessories onto the cable (make sure to keep compression ring on the grommet)
- Strip external cable jacket
- Strip wires and crimp contacts (see **Pages 212 and 213**)
- Insert first contact into the grommet (first contact in cavity A, no tool is required). Then insert the contact in the connector cavity A (insert manually or use tool RTM205)
- Place the grommet and compression ring on the insulator
- Insert the other contacts
- Tighten adapter with plug UTSX6 or receptacle UTSX1, choose correct seal
- Tighten the nut to rear of either UTSX1 or UTSX6 (recommended torque values to be applied according to the table right).



#### Cable ranges



Shell size	Recommended jacket strip length				Adapter tightening torque (Nm)	Nut tightening torque (Nm)	Ø Cable range Standard seal		Ø Cable range Reducing seal		Ø Wire	
	Male inch	Male mm	Female inch	Female mm			inch	mm	inch	mm	inch	mm
10	0.826"	21	1.141"	29	1.5	1	0.098"/0.314"	2.5/8.0	0.059"/0.196"	1.5/5.0	From	From
12	0.984"	25	1.299"	33	2.5	2	0.196"/0.472"	5.0/12.0	0.118"/0.354"	3.0/9.0	0.066"	1.7
14	1.141"	29	1.417"	36	3	2.5	0.275"/0.551"	7.0/14.0	0.196"/0.472"	5.0/12.0	to	to
16	Not available. Please consult us.											
18	Not available. Please consult us.											

**UTSX coupling procedure**

The pictures below provides step by step instructions on how to mate a plug and receptacle connector in order to avoid damaging any of the contacts.



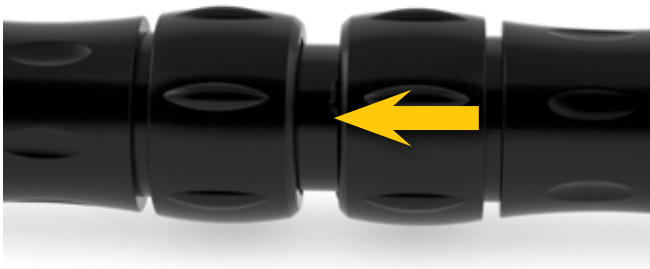
1 - Identify the primary key of each connector.



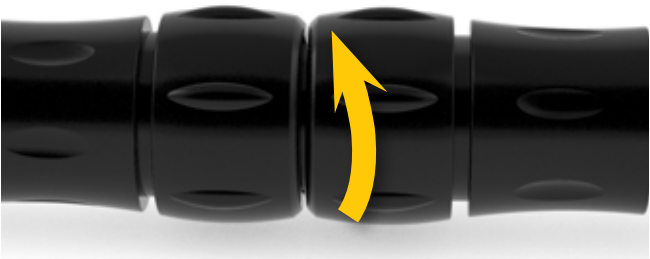
2 - Align the primary keys of the connectors.



3 - Non correct positioning:



4 - Offer the plug to the receptacle.



5 - Turn coupling ring until you hear a 'click'



6 - Example of installation

Fastening of cable: In order to avoid any mechanical stress on the connection, cable should be clamp closed to the connector in such a way there is no bending or traction applying on the connector.

# Souriau UTSX series

## Rated current and working voltage

### Current carrying capacity

The current carrying capacity of a connector is limited by the thermal properties of materials used in its construction. The amount of current that can be handled depends on the size of cable used, the ambient temperature and the heat that is generated inside the connector. Part 3 of the IEC 60512 standard determines through a derating curve, the maximum current permissible, which varies from one layout to another (Fig.1 and Fig.2). Wire size plays an important role in dissipating heat and avoiding overheating (Fig.1 and Fig.3).

Please note that the curve should be adjusted when dealing with potential hot spots, which can occur as a result of unequal loading of current across a number of contacts. As a general rule, it is best to avoid placing power handling contacts in the middle of the connector. Try to locate them towards the edge where heat can be dissipated more effectively. Eventually you should find a level which represents the permissible operating range.

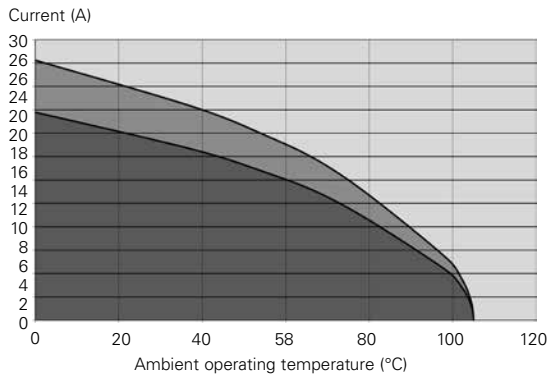


Fig.1: UTSX 12-4 – 16 AWG

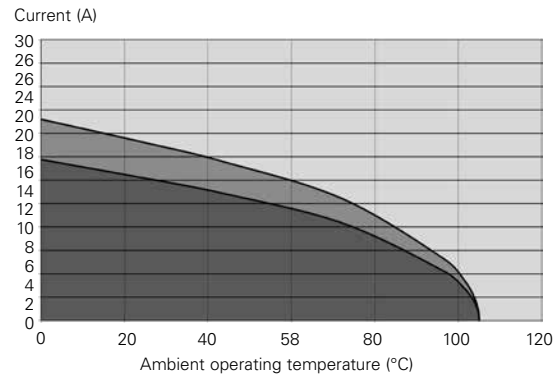


Fig.2: UTSX 12-8 – 16 AWG

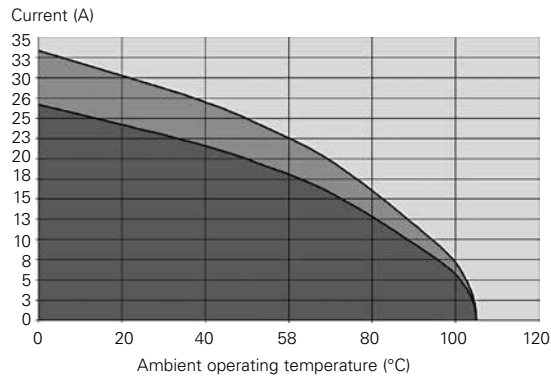


Fig.3: UTSX 12-4 – 20 AWG

- Current use
- Limited use
- Not recommended use

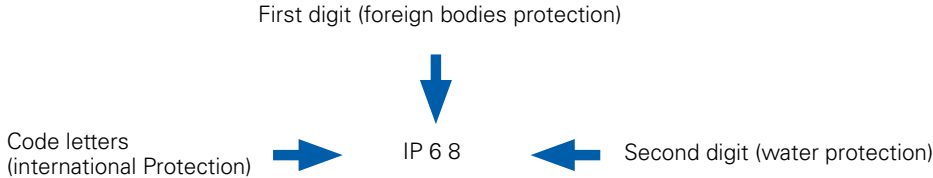
The rated current is defined as uninterrupted continuous current that a connector can take when all contacts are energized simultaneously without exceeding the maximum limit of temperature. The earth contact is never loaded.

**UV resistance**

Plastics can be susceptible to extreme degradation over time. The UTSX series is made with (f1) material according to UL746C. The UTSX material withstand a 1,000 h UV exposure according ISO4892 without significant color variation, cracking or variation of mechanical properties.

**Protection provided by an enclosure**

For safety reasons, electrical equipment needs to be protected against outside influences. The basis for the determination is the standard IEC 60529. IP is a coding system that provides information regarding the accessibility of live parts against ingress of water or other foreign bodies.



1st digit	Degree of protection	2nd digit	Degree of protection
0	No protection against accidental contact. No protection against solid foreign bodies.	0	No protection against water.
1	Protection against contact with any large area by hand and against large solid foreign bodies with a diameter bigger than 1.889" (48).	1	Drip-proof. Protection against vertical water drips.
2	Protection against contact with the fingers. Protection against solid foreign bodies with a diameter bigger than 0.472" (12).	2	Drip-proof. Protection against water drips up to a 15° angle.
3	Protection against tools, wires or similar objects with a diameter bigger than 0.078" (2.5). Protection against small solid bodies with a diameter bigger than 0.078" (2.5).	3	Spray-proof. Protection against diagonal water drips up to a 60° angle.
4	Same as 3 however diameter is bigger than 0.039" (1).	4	Splash-proof. Protection against splashed water from all directions.
5	Full protection against contact. Protection against interior injurious dust deposits.	5	Hose-proof. Protection against water (out of a nozzle) from all directions.
6	Total protection against contact. Protection against penetration of dust.	6	Protection against powerful water jets .
		7	Protection against temporary immersions.
		8	Protection against water pressure. Pressure and immersion time to be specified by supplier.
		9K	High pressure hose-proof. Protection against high pressure water (out of a nozzle) from all directions.

UTSX offers high sealing: IP68/69K even in dynamic situations.

In addition to the IEC 60529 we conjointly use the ISO 20653 for the implementation of IPx9K testing:

Dimensions in inches (millimeters)

### Ethernet basics

To understand Ethernet theory, a functional comparison to a busy city with highways, buildings and cars is often used. The table below provides the correlation between the different components/pieces/links that encompass Ethernet network connectivity, and the larger scale infrastructure of a metropolitan city.

City	Buildings	Roads	Cars	Tolls	Bridges	Traffic laws
The network itself	End equipment, PC, server, etc.	Ethernet cabling	Data packets, datagrams, bits, bytes, etc.	Firewalls	Connectors	Protocol Communication specifications

Ethernet is a widely used communications protocol that is used to transmit data packets (datagrams) between network devices. Imagine a highway in a large metropolitan area six lanes wide at rush hour. The vehicles on the highway need rules to follow so that they get to their destination without crashing into each other. In an Ethernet network link, there could be 100 million bits of information transmitted in one second. In the Ethernet standard, there exist rules to govern packet structure, transmission requirements, error correction, communication with end equipment, etc.

### Ethernet connectors

To understand the differences between 100Mhz, 100 Base TX and Cat5e/Cat6, the comparison to the city is helpful.

- 100Mhz is a measurement of frequency for the signal, comparable to the speed limit on a highway.
- 100BaseTX (or Fast Ethernet) is an Ethernet link standard and identifies available link bandwidth. The bandwidth is measured in units of MBits/S (megabits per second), comparable to the number of cars that pass a point in one second.
- Cat5e/Cat6 are an EIA/TIA standard for performance and physical characteristics for cables and connectors, comparable to performance specifications of the car and highway.

### Specifying Ethernet connectors and contacts

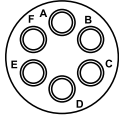
In connectors and cables, Fast Ethernet uses two pairs, one for transmit and one for receive. This way data traffic can flow in both directions simultaneously. To carry 100Mb/s data signals, 100BaseTX or Fast Ethernet, it is recommended to use Cat5e connectors as well as Cat5e cables with the support of a 100MHz signal. However, a 100Mb/s signal can be transmitted in certain conditions: short distance, only one connector, lower frequency, and so does not necessarily need to be Cat5e rated.

Ethernet twisted pairs carry a symmetrical (balanced) signal. With coax contacts, the inner core will be shield, but not the other core. This will result in an unbalanced signal due to electromagnetic interferences. Coax contacts will not work correctly and are not recommended.

Quadrx contacts are used in railway applications because of the use of quad cables. In this specific industry, the standard Ethernet twisted pair cables cannot be used as they are too thin and usually solid, not stranded. In other industries, UTP (Unshielded Twisted Pair) cables are widely used. Quadrx contacts are not designed to terminate UTP cables and are not recommended.

Standard offering

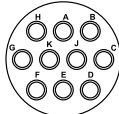
Standard solutions



106\* - 10E6/10D6  
4.5A 250V 6A 250V  
6 contacts #20 Ø  
0.039" (1)

UTSX size 10, 6 contacts

- 1 (Pair 1) = A
- 2 (Pair 1) = B
- 3 (Pair 2) = E
- 4 (Pair 2) = D



1210 - 12E10/12D10  
4.5A 250V 10 contacts  
#20 Ø 0.039" (1)

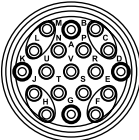
UTSX size 12, 10 contacts

- 1 (Pair 1) = C
- 2 (Pair 1) = B
- 3 (Pair 2) = G
- 4 (Pair 2) = H

Shielding continuity done in cavity CandF.

Note: \*Shielding can be replaced by DC power.

UTSX 14-19 used for Ethernet



○ Twisted pairs  
● GND

The UTSX layout 14-19 has been evaluated and approved for use as an Ethernet connection in the following configuration:

- Using Cat6A cables, with 9m of cable between each connector
- The cable was terminated as pictured

Based on the test results, the insertion loss, return loss, NEXT and ACR-N pass the Channel Class Ea Ethernet requirements, which defines the maximum data rate as 10 Gbps.

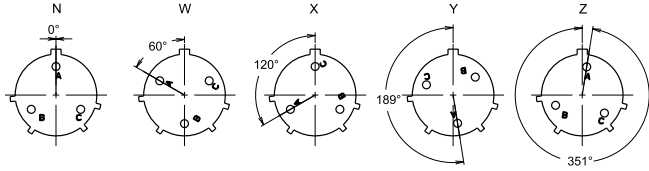
Please note, the results pass the 10 Gbps data rate, but have only been tested with a distance of 9m, and can be validated for up to 20m.

# Souriau UTSX series

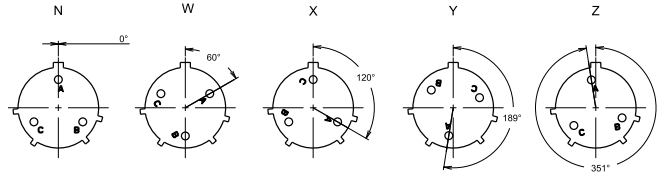
## Appendix A: Discrimination/Keying methods

The UTSX series has layouts with discrimination keys, which help avoid mismatching when operators mate the connectors.

This safety feature is particularly important when similar connectors are placed next to each other. Mismatching connectors can lead to serious problems including system failures and even physical injury.



**Note:** Insert rotated in body (viewed from front face of female insert)



**Note:** Insert rotated in body (viewed from front face of male insert)

Connectors with rotated inserts can be ordered by adding the suffix W, X, Y or Z to the standard part number.

e.g. **UTSX6JC104S** (N key) → **UTSX6JC104SW** (W key)

Consult us for overmolded harnesses.

Shell size	Layout	Discrimination keys degrees			
		W	X	Y	Z
<b>10</b>	102W2/103	–	–	–	–
	104	45°	–	–	–
	103W3	–	–	–	–
	106 10E6/10D6	90°	–	–	–
	10E7/10D7	90°	–	–	–
	10E98/10D98	90°	180°	240°	270°
<b>12</b>	12E2/12D2	–	–	–	–
	12E3/12D3	–	–	180°	–
	124 12E4/12D4	–	–	–	–
	128	26°	–	–	–
	12E8/12D8	90°	112°	203°	292°
	1210 12E10/12D10	60°	155°	270°	295°
	12E14/12D14	45°	–	–	–
<b>14</b>	14E5/14D5	40°	92°	184°	273°
	142G1	–	–	–	–
	147 14E7/14D7	–	–	–	–
	148	–	–	–	–
	1412	60°	–	–	–
	1492	49°	71°	145°	–
	14E12/14D12	43°	90°	–	–
	14E15/14D15	17°	110°	155°	234°
	14E18/14D18	15°	90°	180°	270°
	1419	30°	165°	315°	–
	14E19/14D19	30°	165°	315°	–

Shell size	Layout	Discrimination keys degrees			
		W	X	Y	Z
<b>16</b>	1619	30°	165°	–	315°
	1626 16E26/16D26	60°	–	275°	338°
	163G1	25°	135°	–	–
	165	25°	135°	–	–
	169	30°	125°30'	–	–
	1613	25°	125°30'	–	–
	16E8/16D8	54°	152°	180°	331°
16E23/16D23	158°	270°	–	–	
<b>18</b>	1823	–	158°	–	270°
	1832 18E32/18D32	85°	138°	222°	265°
	186	30°	135°	–	–
	187G1	25°	140°	–	–
	1813	25°	135°	–	–
	18E11/18D11	62°	119°	241°	340°
	18E30/18D30	180°	193°	285°	350°

### SMSPE0: discrimination pin for male UTSX connectors (#16 contacts only)

An alternative method to prevent mismatches is to employ an SMSPE0 dummy contact, which can be placed into an unoccupied #16 male contact cavity. This ensures that the UTSX male connector will only connect with a female counterpart that also has an empty contact slot in the corresponding position.



**Connectors****Free hanging receptacle with cable gland**

UTSX1JC102W2P .....	44
UTSX1JC102W2S .....	44
UTSX1JC103P .....	22
UTSX1JC103S .....	22
UTSX1JC103W3P .....	63
UTSX1JC103W3S .....	63
UTSX1JC104P .....	49
UTSX1JC104S .....	49
UTSX1JC106P .....	69
UTSX1JC106S .....	69
UTSX1JC1210P .....	119
UTSX1JC1210S .....	119
UTSX1JC124P .....	35
UTSX1JC124PSCR .....	35
UTSX1JC124S .....	35
UTSX1JC124SSCR .....	35
UTSX1JC128P .....	96
UTSX1JC128S .....	96
UTSX1JC1412P .....	128
UTSX1JC1412S .....	128
UTSX1JC1419P .....	164
UTSX1JC1419S .....	164
UTSX1JC142G1P .....	27
UTSX1JC142G1S .....	27
UTSX1JC147P .....	83
UTSX1JC147PSCR .....	83
UTSX1JC147S .....	83
UTSX1JC147SSCR .....	83
UTSX1JC148P .....	105
UTSX1JC148S .....	105
UTSX1JC1492P .....	137
UTSX1JC1492S .....	137
UTSX1JC1613P .....	142
UTSX1JC1613S .....	142
UTSX1JC1619P .....	169
UTSX1JC1619S .....	169
UTSX1JC1626P .....	183
UTSX1JC1626S .....	183
UTSX1JC163G1P .....	40
UTSX1JC163G1S .....	40
UTSX1JC165P .....	58
UTSX1JC165S .....	58
UTSX1JC169P .....	115
UTSX1JC169S .....	115
UTSX1JC1813P .....	147
UTSX1JC1813S .....	147
UTSX1JC1823P .....	178
UTSX1JC1823S .....	178
UTSX1JC1832P .....	192
UTSX1JC1832S .....	192
UTSX1JC186P .....	78
UTSX1JC186S .....	78
UTSX1JC187G1P .....	92
UTSX1JC187G1S .....	92

**Jam nut receptacle only**

UTSX7102W2P .....	44
UTSX7102W2S .....	44
UTSX7103P .....	22
UTSX7103S .....	22
UTSX7103W3P .....	63
UTSX7103W3S .....	63
UTSX7104P .....	49
UTSX7104S .....	49
UTSX7106P .....	69

UTSX7106S .....	69
UTSX710D6P .....	69
UTSX710D6P32 .....	69
UTSX710D6S .....	69
UTSX710D6S32 .....	69
UTSX710D7P .....	88
UTSX710D7P32 .....	88
UTSX710D7S .....	88
UTSX710D7S32 .....	88
UTSX710D98P .....	74
UTSX710D98P32 .....	74
UTSX710D98S .....	74
UTSX710D98S32 .....	74
UTSX710E6P .....	69
UTSX710E6S .....	69
UTSX710E7P .....	88
UTSX710E7S .....	88
UTSX710E98P .....	74
UTSX710E98S .....	74
UTSX71210P .....	119
UTSX71210S .....	119
UTSX7124P .....	35
UTSX7124P .....	35
UTSX7124PSCR .....	35
UTSX7124S .....	35
UTSX7124S .....	35
UTSX7124SSCR .....	35
UTSX7128P .....	96
UTSX7128S .....	96
UTSX712D10P .....	119
UTSX712D10P32 .....	119
UTSX712D10S .....	119
UTSX712D10S32 .....	119
UTSX712D14P .....	152
UTSX712D14P32 .....	152
UTSX712D14S .....	152
UTSX712D14S32 .....	152
UTSX712D2P .....	18
UTSX712D2P32 .....	18
UTSX712D2S .....	18
UTSX712D2S32 .....	18
UTSX712D3P .....	31
UTSX712D3P32 .....	31
UTSX712D3S .....	31
UTSX712D3S32 .....	31
UTSX712D4P .....	35
UTSX712D4P32 .....	35
UTSX712D4S .....	35
UTSX712D4S32 .....	35
UTSX712D8P .....	101
UTSX712D8P32 .....	101
UTSX712D8S .....	101
UTSX712D8S32 .....	101
UTSX712E10P .....	119
UTSX712E10S .....	119
UTSX712E14P .....	152
UTSX712E14S .....	152
UTSX712E2P .....	18
UTSX712E2S .....	18
UTSX712E3P .....	31
UTSX712E3S .....	31
UTSX712E4P .....	35
UTSX712E4S .....	35
UTSX712E8P .....	101
UTSX712E8S .....	101
UTSX71412P .....	128
UTSX71412S .....	128
UTSX71419P .....	164

UTSX71419S .....	164	UTSX716D26S32 .....	183
UTSX7142G1P .....	27	UTSX716D8P .....	111
UTSX7142G1S .....	27	UTSX716D8P32 .....	111
UTSX7147P .....	83	UTSX716D8S .....	111
UTSX7147PSCR .....	83	UTSX716D8S32 .....	111
UTSX7147S .....	83	UTSX716E23P .....	174
UTSX7147SSCR .....	83	UTSX716E23S .....	174
UTSX7148P .....	105	UTSX716E26P .....	183
UTSX7148S .....	105	UTSX716E26S .....	183
UTSX71492P .....	137	UTSX716E8P .....	111
UTSX71492S .....	137	UTSX716E8S .....	111
UTSX714D12P .....	133	UTSX71813P .....	147
UTSX714D12P32 .....	133	UTSX71813S .....	147
UTSX714D12S .....	133	UTSX71823P .....	178
UTSX714D12S32 .....	133	UTSX71823S .....	178
UTSX714D15P .....	156	UTSX71832P .....	192
UTSX714D15P32 .....	156	UTSX71832S .....	192
UTSX714D15S .....	156	UTSX7186P .....	78
UTSX714D15S32 .....	156	UTSX7186S .....	78
UTSX714D18P .....	160	UTSX7187G1P .....	92
UTSX714D18P32 .....	160	UTSX7187G1S .....	92
UTSX714D18S .....	160	UTSX718D11P .....	124
UTSX714D18S32 .....	160	UTSX718D11P32 .....	124
UTSX714D19P .....	164	UTSX718D11S .....	124
UTSX714D19P32 .....	164	UTSX718D11S32 .....	124
UTSX714D19S .....	164	UTSX718D30P .....	188
UTSX714D19S32 .....	164	UTSX718D30P32 .....	188
UTSX714D5P .....	54	UTSX718D30S .....	188
UTSX714D5P32 .....	54	UTSX718D30S32 .....	188
UTSX714D5S .....	54	UTSX718D32P .....	192
UTSX714D5S32 .....	54	UTSX718D32P32 .....	192
UTSX714D7P .....	83	UTSX718D32S .....	192
UTSX714D7P32 .....	83	UTSX718D32S32 .....	192
UTSX714D7S .....	83	UTSX718E11P .....	124
UTSX714D7S32 .....	83	UTSX718E11S .....	124
UTSX714E12P .....	133	UTSX718E30P .....	188
UTSX714E12S .....	133	UTSX718E30S .....	188
UTSX714E15P .....	156	UTSX718E32P .....	192
UTSX714E15S .....	156	UTSX718E32S .....	192
UTSX714E18P .....	160		
UTSX714E18S .....	160	<b>Plug only</b>	
UTSX714E19P .....	164	UTSX6102W2P .....	44
UTSX714E19S .....	164	UTSX6102W2S .....	44
UTSX714E5P .....	54	UTSX6103P .....	22
UTSX714E5S .....	54	UTSX6103S .....	22
UTSX714E7P .....	83	UTSX6103W3P .....	63
UTSX714E7S .....	83	UTSX6103W3S .....	63
UTSX71613P .....	142	UTSX6104P .....	49
UTSX71613S .....	142	UTSX6104S .....	49
UTSX71619P .....	169	UTSX6106P .....	69
UTSX71619S .....	169	UTSX6106S .....	69
UTSX71626P .....	183	UTSX610E6P .....	69
UTSX71626S .....	183	UTSX610E6S .....	69
UTSX7163G1P .....	40	UTSX610E7P .....	88
UTSX7163G1P .....	40	UTSX610E7S .....	88
UTSX7163G1S .....	40	UTSX610E98P .....	74
UTSX7163G1S .....	40	UTSX610E98S .....	74
UTSX7165P .....	58	UTSX61210P .....	119
UTSX7165S .....	58	UTSX61210S .....	119
UTSX7169P .....	115	UTSX6124P .....	35
UTSX7169S .....	115	UTSX6124S .....	35
UTSX716D23P .....	174	UTSX6128P .....	96
UTSX716D23P32 .....	174	UTSX6128S .....	96
UTSX716D23S .....	174	UTSX612E10P .....	119
UTSX716D23S32 .....	174	UTSX612E10S .....	119
UTSX716D26P .....	183	UTSX612E14P .....	152
UTSX716D26P32 .....	183	UTSX612E14S .....	152
UTSX716D26S .....	183	UTSX612E2P .....	18

UTSX612E2S	18
UTSX612E3P	31
UTSX612E3S	31
UTSX612E4P	35
UTSX612E4S	35
UTSX612E8P	101
UTSX612E8S	101
UTSX61412P	128
UTSX61412S	128
UTSX61419P	164
UTSX61419S	164
UTSX6142G1P	27
UTSX6142G1S	27
UTSX6147P	83
UTSX6147S	83
UTSX6148P	105
UTSX6148S	105
UTSX61492P	137
UTSX61492S	137
UTSX614E12P	133
UTSX614E12S	133
UTSX614E15P	156
UTSX614E15S	156
UTSX614E18P	160
UTSX614E18S	160
UTSX614E19P	164
UTSX614E19S	164
UTSX614E5P	54
UTSX614E5S	54
UTSX614E7P	83
UTSX614E7S	83
UTSX61613P	142
UTSX61613S	142
UTSX61619P	169
UTSX61619S	169
UTSX61626P	183
UTSX61626S	183
UTSX6163G1P	40
UTSX6163G1S	40
UTSX6165P	58
UTSX6165S	58
UTSX6169P	115
UTSX6169S	115
UTSX616E23P	174
UTSX616E23S	174
UTSX616E26P	183
UTSX616E26S	183
UTSX616E8P	111
UTSX616E8S	111
UTSX61813P	147
UTSX61813S	147
UTSX61823P	178
UTSX61823S	178
UTSX61832P	192
UTSX61832S	192
UTSX6186P	78
UTSX6186S	78
UTSX6187G1P	92
UTSX6187G1S	92
UTSX618E11P	124
UTSX618E11S	124
UTSX618E30P	188
UTSX618E30S	188
UTSX618E32P	192
UTSX618E32S	192

**Plug with cable gland**

UTSX6JC102W2P	44
UTSX6JC102W2S	44
UTSX6JC103P	22
UTSX6JC103S	22
UTSX6JC103W3P	63
UTSX6JC103W3S	63
UTSX6JC104P	49
UTSX6JC104S	49
UTSX6JC106P	69
UTSX6JC106S	69
UTSX6JC10E6P	69
UTSX6JC10E6S	69
UTSX6JC10E7P	88
UTSX6JC10E7S	88
UTSX6JC10E98P	74
UTSX6JC10E98S	74
UTSX6JC1210P	119
UTSX6JC1210S	119
UTSX6JC124P	35
UTSX6JC124PSCR	35
UTSX6JC124S	35
UTSX6JC124SSCR	35
UTSX6JC128P	96
UTSX6JC128S	96
UTSX6JC12E10P	119
UTSX6JC12E10S	119
UTSX6JC12E14P	152
UTSX6JC12E14S	152
UTSX6JC12E2P	18
UTSX6JC12E2S	18
UTSX6JC12E3P	31
UTSX6JC12E3S	31
UTSX6JC12E4P	35
UTSX6JC12E4S	35
UTSX6JC12E8P	101
UTSX6JC12E8S	101
UTSX6JC1412P	128
UTSX6JC1412S	128
UTSX6JC1419P	164
UTSX6JC1419S	164
UTSX6JC142G1P	27
UTSX6JC142G1S	27
UTSX6JC147P	83
UTSX6JC147PSCR	83
UTSX6JC147S	83
UTSX6JC147SSCR	83
UTSX6JC148P	105
UTSX6JC148S	105
UTSX6JC1492P	137
UTSX6JC1492S	137
UTSX6JC14E12P	133
UTSX6JC14E12S	133
UTSX6JC14E15P	156
UTSX6JC14E15S	156
UTSX6JC14E18P	160
UTSX6JC14E18S	160
UTSX6JC14E19P	164
UTSX6JC14E19S	164
UTSX6JC14E5P	54
UTSX6JC14E5S	54
UTSX6JC14E7P	83
UTSX6JC14E7S	83
UTSX6JC1613P	142
UTSX6JC1613S	142
UTSX6JC1619P	169
UTSX6JC1619S	169
UTSX6JC1626P	183

## Appendix B: Part number index

UTSX6JC1626S .....	183	UTSX012D3S.....	31
UTSX6JC163G1P .....	40	UTSX012D4P.....	35
UTSX6JC163G1S .....	40	UTSX012D4S .....	35
UTSX6JC165P .....	58	UTSX012D8P .....	101
UTSX6JC165S .....	58	UTSX012D8S .....	101
UTSX6JC169P .....	115	UTSX012E10P .....	119
UTSX6JC169S .....	115	UTSX012E10S .....	119
UTSX6JC16E23P .....	174	UTSX012E14P .....	152
UTSX6JC16E23S .....	174	UTSX012E14S .....	152
UTSX6JC16E26P .....	183	UTSX012E2P .....	18
UTSX6JC16E26S .....	183	UTSX012E2S .....	18
UTSX6JC16E8P .....	111	UTSX012E3P .....	31
UTSX6JC16E8S .....	111	UTSX012E3S .....	31
UTSX6JC1813P .....	147	UTSX012E4P .....	35
UTSX6JC1813S .....	147	UTSX012E4S .....	35
UTSX6JC1823P .....	178	UTSX012E8P .....	101
UTSX6JC1823S .....	178	UTSX012E8S .....	101
UTSX6JC1832P .....	192	UTSX01412P .....	128
UTSX6JC1832S .....	192	UTSX01412S .....	128
UTSX6JC186P .....	78	UTSX01419P .....	164
UTSX6JC186S .....	78	UTSX01419S .....	164
UTSX6JC187G1P .....	92	UTSX0142G1P .....	27
UTSX6JC187G1S .....	92	UTSX0142G1S .....	27
UTSX6JC18E11P .....	124	UTSX0147P .....	83
UTSX6JC18E11S .....	124	UTSX0147S .....	83
UTSX6JC18E30P .....	188	UTSX0148P .....	105
UTSX6JC18E30S .....	188	UTSX0148S .....	105
UTSX6JC18E32P .....	192	UTSX01492P .....	137
UTSX6JC18E32S .....	192	UTSX01492S .....	137
		UTSX014D12P .....	133
		UTSX014D12S .....	133
		UTSX014D15P .....	156
		UTSX014D15S .....	156
		UTSX014D18P .....	160
		UTSX014D18S .....	160
		UTSX014D19P .....	164
		UTSX014D19S .....	164
		UTSX014D5P .....	54
		UTSX014D5S .....	54
		UTSX014D7P .....	83
		UTSX014D7S .....	83
		UTSX014E12P .....	133
		UTSX014E12S .....	133
		UTSX014E15P .....	156
		UTSX014E15S .....	156
		UTSX014E18P .....	160
		UTSX014E18S .....	160
		UTSX014E19P .....	164
		UTSX014E19S .....	164
		UTSX014E5P .....	54
		UTSX014E5S .....	54
		UTSX014E7P .....	83
		UTSX014E7S .....	83
		UTSX01613P .....	142
		UTSX01613S .....	142
		UTSX01619P .....	169
		UTSX01619S .....	169
		UTSX01626P .....	183
		UTSX01626S .....	183
		UTSX0163G1P .....	40
		UTSX0163G1S .....	40
		UTSX0165P .....	58
		UTSX0165S .....	58
		UTSX0169P .....	115
		UTSX0169S .....	115
		UTSX016D23P .....	174
		UTSX016D23S .....	174
		UTSX016D26P .....	183

### Square flange receptacle only

UTSX0102W2P .....	44
UTSX0102W2S .....	44
UTSX0103P .....	22
UTSX0103S .....	22
UTSX0103W3P .....	63
UTSX0103W3S .....	63
UTSX0104P .....	49
UTSX0104S .....	49
UTSX0106P .....	69
UTSX0106S .....	69
UTSX010D6P .....	69
UTSX010D6S .....	69
UTSX010D7P .....	88
UTSX010D7S .....	88
UTSX010D98P .....	74
UTSX010D98S .....	74
UTSX010E6P .....	69
UTSX010E6S .....	69
UTSX010E7P .....	88
UTSX010E7S .....	88
UTSX010E98P .....	74
UTSX010E98S .....	74
UTSX01210P .....	119
UTSX01210S .....	119
UTSX0124P .....	35
UTSX0124P .....	35
UTSX0124S .....	35
UTSX0124S .....	35
UTSX0128P .....	96
UTSX0128S .....	96
UTSX012D10P .....	119
UTSX012D10S .....	119
UTSX012D14P .....	152
UTSX012D14S .....	152
UTSX012D2P .....	18
UTSX012D2S .....	18
UTSX012D3P .....	31

UTSX016D26S	183
UTSX016D8P	111
UTSX016D8S	111
UTSX016E23P	174
UTSX016E23S	174
UTSX016E26P	183
UTSX016E26S	183
UTSX016E8P	111
UTSX016E8S	111
UTSX01813P	147
UTSX01813S	147
UTSX01823P	178
UTSX01823S	178
UTSX01832P	192
UTSX01832S	192
UTSX0186P	78
UTSX0186S	78
UTSX0187G1P	92
UTSX0187G1S	92
UTSX018D11P	124
UTSX018D11S	124
UTSX018D30P	188
UTSX018D30S	188
UTSX018D32P	192
UTSX018D32S	192
UTSX018E11P	124
UTSX018E11S	124
UTSX018E30P	188
UTSX018E30S	188
UTSX018E32P	192
UTSX018E32S	192

#### Square flange receptacle with cable gland

UTSX0JC102W2P	44
UTSX0JC102W2S	44
UTSX0JC103P	22
UTSX0JC103P	63
UTSX0JC103S	22
UTSX0JC103S	63
UTSX0JC104P	49
UTSX0JC104S	49
UTSX0JC106P	69
UTSX0JC106S	69
UTSX0JC1210P	119
UTSX0JC1210S	119
UTSX0JC124P	35
UTSX0JC124S	35
UTSX0JC128P	96
UTSX0JC128S	96
UTSX0JC1412P	128
UTSX0JC1412S	128
UTSX0JC1419P	164
UTSX0JC1419S	164
UTSX0JC142G1P	27
UTSX0JC142G1S	27
UTSX0JC147P	83
UTSX0JC147S	83
UTSX0JC148P	105
UTSX0JC148S	105
UTSX0JC1492P	137
UTSX0JC1492S	137
UTSX0JC1613P	142
UTSX0JC1613S	142
UTSX0JC1619P	169
UTSX0JC1619S	169
UTSX0JC1626P	183
UTSX0JC1626S	183
UTSX0JC163G1P	40
UTSX0JC163G1S	40

UTSX0JC165P	58
UTSX0JC165S	58
UTSX0JC169P	115
UTSX0JC169S	115
UTSX0JC1813P	147
UTSX0JC1813S	147
UTSX0JC1823P	178
UTSX0JC1823S	178
UTSX0JC1832P	192
UTSX0JC1832S	192
UTSX0JC186P	78
UTSX0JC186S	78
UTSX0JC187G1P	92
UTSX0JC187G1S	92

#### Accessories

##### Color coding rings

UTS610CCRR	24
UTS610CCRY	24
UTS612CCRG	20
UTS612CCRR	20
UTS612CCRY	20
UTS614CCRG	29
UTS614CCRR	29
UTS614CCRY	29
UTS710CCRG	24
UTS710CCRR	24
UTS710CCRY	24
UTS712CCRG	20
UTS712CCRR	20
UTS712CCRY	20
UTS714CCRG	29
UTS714CCRR	29
UTS714CCRY	29

##### Discrimination pin

SMSPKE0	224
---------	-----

##### Gasket

UTFD12B	46
UTFD13B	20
UTFD14B	29

##### Plastic protective cap

85005586A	24
85005587A	20
85005588A	29
85005595	24
85005596	20
85005597	29

##### Sealing caps

UTS10DCG	24
UTS10DCGR	24
UTS12DCG	20
UTS12DCGE	20
UTS12DCGR	20
UTS14DCG	29
UTS14DCGE	29
UTS14DCGR	29
UTS10DCG	24
UTX612DCG	20
UTX614DCG	29

### Contacts

#### Crimp contacts

82911456A	48
82911456	48
82911457NA	48
82911458A	48
82911459NA	48
82911460A	48
82911461NA	48
82911462A	48
82911462K	48
82911463NA	48
82911464A	48
82911465NA	48
82911466A	48
82911467NA	48
82913600A	30
82913601A	30
82913602A	30
82913603A	30
82913604A	30
82913605A	30
82913606A	30
82913607A	30
82913608A	30
82913609A	30
RC14M30GE1K	201
RC16M23GE1K	201
RC20M12GE7K	201
RC20M13GE7K	201
RC24M9GE7K	201
RC28M1GE7K	201
RM14M30GE1K	201
RM16M23GE1K	201
RM20M12GE1K	201
RM24M9GE1K	201
RM28M1GE1K	201
RM24W3K	48
RM18W3K	48
RC24W3K	48
RC18W3K	48
RC20W3K	48
RM20W3K	48
SC20W3TK6	48
SC24W3S25	48
SC24W3TK6	48
SM24W3TK6	48
SM14M1TK6	26
SM16M11TK6	26
SM16M1TK6	26
SM20M1TK6	26
RC14M30K	26
RC16M23K	26
RC20M12K	26
RC20M13K	26
RC24M9K	26
RC28M1K	26
RM14M30K	26
RM16M23K	26
RM20M12K	26
RM20M13K	26
RM24M9K	26
RM28M1K	26
SC14M1TK6	26
SC16M11TK6	26
SC16M1TK6	26
SC20M1TK6	26

SC24M1TK6	26
SC16ML11TK6	213
SC16ML1TK6	213
SC14ML1TK6	213
SC20ML1TK6	213
SC20WL3TK6	213
SC24ML1TK6	213
SC24WL3TK6	213
SM14ML1TK6	213
SM16ML11TK6	213
SM16ML1TK6	213
SM24WL3TK6	213

#### Coaxial contacts

RCDX60xxD28	26
RCDXK1D28	26
RCDX6016D28	203
RCDX6018D28	203
RCDX6024D28	203
RCDX6026D28	203
RCDX6032D28	203
RCDX6034D28	203
RCDX6036D28	203
RCDX6052D28	203
RMDX6018D28	203
RMDX6024D28	203
RMDX6026D28	203
RMDX6032D28	203

#### Fiber optic contacts

RCPOF1000B	26
RMPOF1000	26

#### PCB contacts

82911684NAPC	205
82911685NAPC	205
RC20M12E83K	205
RC20M12E8K	205
82911684NPC	30
82911685NPC	30
RC20M12E84K	26
RCW5016K	123

#### Tooling

MH860	209
51060210936	30
M317	30
RX2025GE1	25
RX2031J	25
S16RCM14	25
S16RCM16	25
S16SCM20	25
S16SCML1	25
S16SCML11	25
51060210924	47
RX20D44	47
S20RCM	47
S20SCM20	47

For more information, contact us:  
**Eaton.com/interconnect-support**



For more information contact us:  
[eaton.com/interconnect-support](https://eaton.com/interconnect-support)

© 2025 Eaton  
All Rights Reserved  
Document No. TF7001B  
October 2025

Eaton is a registered trademark.

All other trademarks are property  
of their respective owners.