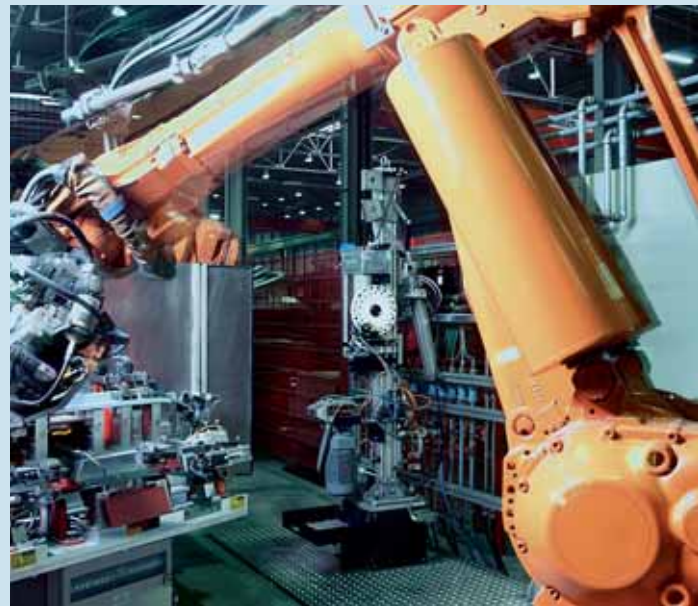


Where metal is concerned, you need our robust model.

Never down and out: the NR-series.



The impact-proof, fracture-proof, glass fiber-reinforced housing of the NR-series is practically indestructible. Because of these highly robust characteristics, this circular connector is able to excel, thanks to its compact design, and can be used in many ways on the basis of various structural designs. The built-in housing can be supplied with a flange if so desired or for installation in a variety of PG and metric threads and in all cases with freely selectable cable output. Thanks to crimping technology, it is also possible to use it without any problems in installations that are subject to a lot of vibration stress. The highly resistant circular connector can easily withstand extreme environmental

conditions as well as vibrations and is therefore a preferred item in conveyor installations. The transmission of control and regulation signals, such as in hydraulic and pneumatic systems, the drives of machine tools as well as the connection of small gears and pump drives are other preferred task areas for the NR-series which is also suitable for the connection of shielded cables.

The NR-series can also be installed very quickly and easily in industrial conditions using crimping technology – BO crimping with strain relief is provided through the insulation.

Additional information: The installation, connecting terminal and material of circular connectors of the NR-series satisfy the requirements of EN 175201-804.






Circular connectors.



Program overview NR-series.

Cable socket		
unwired		wired
straight	angled	straight
 6-pole + PE from page 348 11-pole + PE from page 349	 6-pole + PE from page 350 11-pole + PE from page 351	 6-pole + PE from page 348 11-pole + PE from page 349



Panel-mounted socket
 6-pole + PE from page 352 11-pole + PE from page 353



Cable plug

unwired	
straight	angled
 <p>6-pole + PE from page 354 11-pole + PE from page 355</p>	 <p>6-pole + PE from page 354</p>



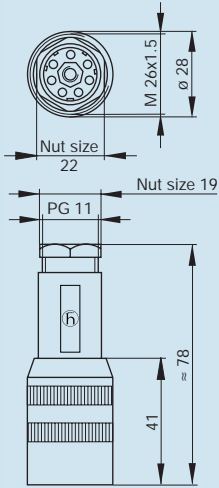
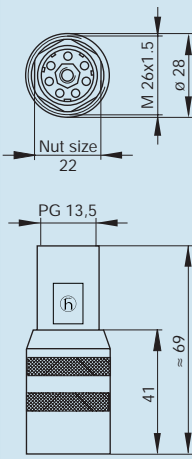
Panel-mounted connector	Surface-mounted connector
-------------------------	---------------------------

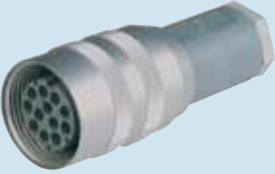


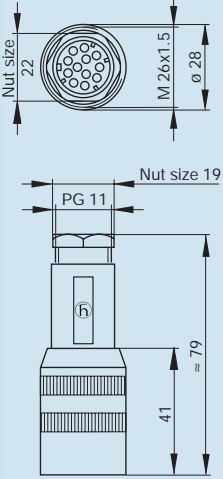
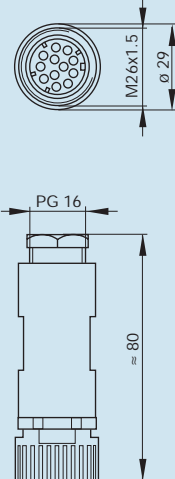
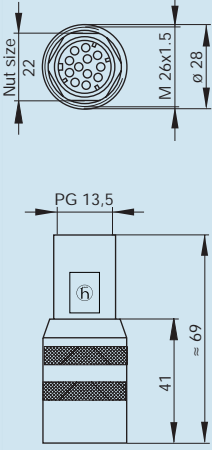
 <p>6-pole + PE from page 356 11-pole + PE from page 359</p>	 <p>6-pole + PE from page 361 11-pole + PE from page 362</p>
--	---



CIRCULAR CONNECTORS NR-SERIES



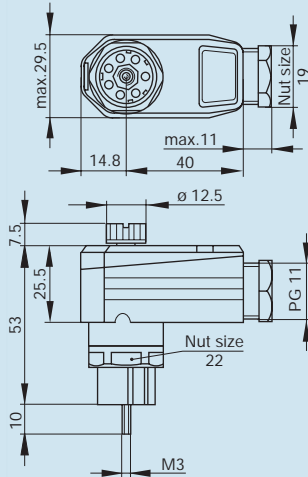
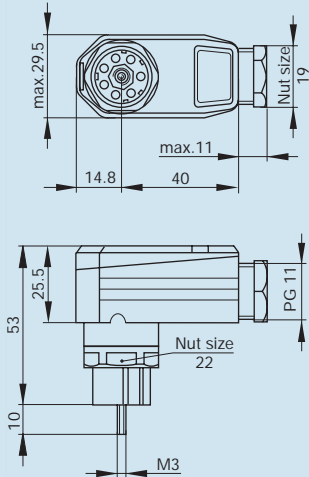
Circular connectors NR-series > Straight cable socket

Type	N6R EF	N6R EF S
Order No.	931 720-001	933 711-001
	 <p>Straight cable socket, strain relief by means of a clamping cage</p>	 <p>Straight cable socket, shielded,</p>
Product description Type of contact Number of contacts Cable gland Cable diameter Conductor size Standard Housing Color	female 6 + PE PG 11 7 mm to 9 mm max. 1.5 mm ² DIN 43651 grey	female 6 + PE PG 13.5 max. 1.5 mm ² DIN 43651 metallic
Drawing		
Technical data Pin dimensions Rated voltage Rated current Contact resistance Type of termination Suitable cables	1.6 mm AC/DC 250 V 10 A ≤ 5 mOhm crimp 0.5 mm ² to 1.5 mm ²	1.6 mm AC 25 V / DC 50 V 10 A ≤ 5 mOhm crimp 0.5 mm ² to 1.5 mm ²
Material Contact surface material Contact bearer material Housing material	Ag PET PET	Ag PET
Environmental conditions Protection class (IEC 60529) Temperature range	IP 65 -40 °C to +90 °C	IP 65 -40 °C to +90 °C
Packing unit Packaging unit	10 pieces	10 pieces
Scope of delivery and accessories Scope of delivery Accessories to order separately	1 cable sockets, not assembled, in polythene bag, with assembly instructions can be plugged into N6R AM, N6R AM..., N6R BM..., N6R DM coding NC6, order no. 831 002-011 contacts: RBC 162	1 cable sockets, not assembled, in polythene bag, with assembly instructions can be plugged into N6R BM FA S; EMV-PG-cable gland N6R-41 order no. 734 605-001 EMV-PG-cable gland N6R-42 order no. 734 606-001 coding NC 6, order no. 831 002-011 contacts: RBC 162

N11R EF	N11R EF F	N11R EF S
<p>932 630-106</p>  <p>Straight cable socket, strain relief by means of a clamping cage</p>	<p>933 101-100</p>  <p>Straight cable socket, strain relief by means of a clamping cage</p>	<p>933 700-001</p>  <p>Straight cable socket, shielded,</p>
<p>female 11 + PE PG 11 8 mm to 10 mm max. 0.5 mm² DIN 43651 grey</p>	<p>female 11 + PE PG 16 12 mm to 14 mm max. 0.5 mm² DIN 43651 black</p>	<p>female 11 + PE PG 13.5 max. 0.5 mm² DIN 43651 metallic</p>
		
<p>1.6 mm AC/DC 60 V 5 A ≤ 5 mOhm crimp 0.14 mm² to 0.5 mm²</p>	<p>1.6 mm AC/DC 60 V 5 A ≤ 5 mOhm crimp 0.14 mm² to 0.5 mm²</p>	<p>1.6 mm AC 25 V / DC 50 V 5 A ≤ 5 mOhm crimp 0.14 mm² to 0.5 mm²</p>
<p>Ag PET PET</p>	<p>Ag PET PET</p>	<p>Ag PET</p>
<p>IP 65 -40 °C to +90 °C</p>	<p>IP 65 -40 °C to +90 °C</p>	<p>IP 65 -40 °C to +90 °C</p>
<p>10 pieces</p>	<p>10 pieces</p>	<p>10 pieces</p>
<p>1 cable sockets, not assembled, in polythene bag, with assembly instructions can be plugged into N11R AM, N11R AM 5, contacts: RBC 162/1</p>	<p>1 cable sockets, not assembled, in polythene bag, with assembly instructions can be plugged into N11R AM, N11R AM 5, contacts: RBC 162</p>	<p>1 cable sockets, not assembled, in polythene bag, with assembly instructions can be plugged into N11R AM, N11R AM 5; EMV-PG-cable gland N6R-41 order no. 734 605-001 EMV-PG-cable gland N6R-42 order no. 734 606-001 contacts: RBC 162/1</p>

CIRCULAR CONNECTORS NR-SERIES

Circular connectors NR-series > Angled cable socket

Type	N6R FF R	N6R FF
Order No.	931 553-106	931 435-106
	 <p>Angled cable socket, strain relief by means of a clamping cage and knurled screw</p>	 <p>Angled cable socket strain relief by means of a clamping cage</p>
Product description		
Type of contact	female	female
Number of contacts	6 + PE	6 + PE
Cable gland	PG 11	PG 11
Cable diameter	7 mm to 9 mm	7 mm to 9 mm
Conductor size	max. 1.5 mm ²	max. 1.5 mm ²
Standard	DIN 43651	DIN 43651
Housing Color	grey	grey
Drawing		
Technical data		
Pin dimensions	1.6 mm	1.6 mm
Rated voltage	AC/DC 250 V	AC/DC 250 V
Rated current	10 A	10 A
Contact resistance	≤ 5 mOhm	≤ 5 mOhm
Type of termination	crimp	crimp
Suitable cables	0.5 mm ² to 1.5 mm ²	0.5 mm ² to 1.5 mm ²
Material		
Contact surface material	Ag	Ag
Contact bearer material	PET	PET
Housing material	PET	PET
Environmental conditions		
Protection class (IEC 60529)	IP 65	IP 65
Temperature range	-40 °C to +90 °C	-40 °C to +90 °C
Packing unit		
Packaging unit	10 pieces	10 pieces
Scope of delivery and accessories		
Scope of delivery	1 cable socket, with knurled screw, not assembled, in polythene bag, with assembly instructions	1 cable socket, with central screw M 3 x 60, not assembled, in polythene bag, with assembly instructions
Accessories to order separately	can be plugged into N6R AM, N6R AM..., N6R BM..., N6R DM; coding NC 6, order no. 831 002-011 contacts: RBC 162	can be plugged into N6R AM, N6R AM..., N6R BM..., N6R DM; coding NC 6, order no. 831 002-011 contacts: RBC 162

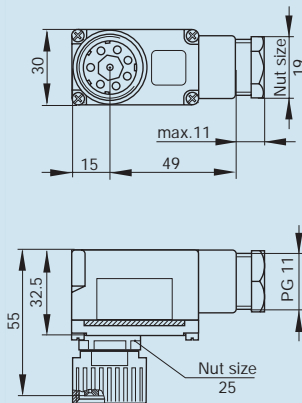
N6R FF S 11

932 194-112



Angled cable socket, strain relief by means of a clamping cage, transparent cap, for installation of the LED insert

female
6 + PE
PG 11
7 mm to 9 mm
max. 1.5 mm²
DIN 43651
transparent/grey



1.6 mm
AC/DC 250 V
10 A
≤ 5 mOhm
screw
0.5 mm² to 1.5 mm²

Ag
PET
PET

IP 65
-40 °C to +90 °C

10 pieces

1 cable sockets, not assembled, in polythene bag, with assembly instructions

can be plugged into N6R AM,
N6R AM..., N6R BM..., N6R DM;
LED-insert N6R 3 LED 24,
order no. 831 411-001
LED-insert N6R 3 LED 24 DB,
order no. 831 618-001
coding NC 6,
order no. 831 002-011

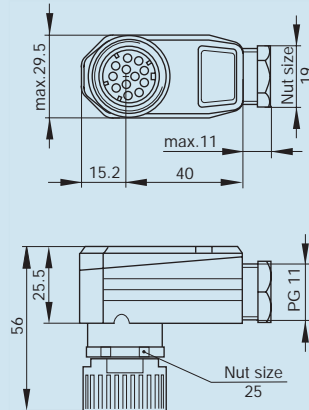
N11R FF

932 632-106



Angled cable socket, strain relief by means of a clamping cage

female
11 + PE
PG 11
8 mm to 10 mm
max. 0.5 mm²
DIN 43651
grey



1.6 mm
AC/DC 60 V
5 A
≤ 5 mOhm
crimp
0.14 mm² to 0.5 mm²

Ag
PET
PET

IP 65
-40 °C to +90 °C



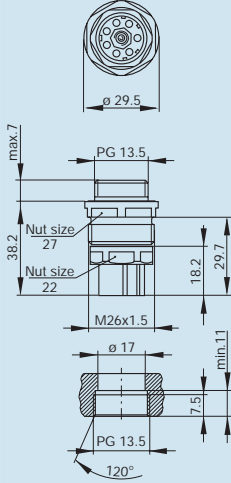
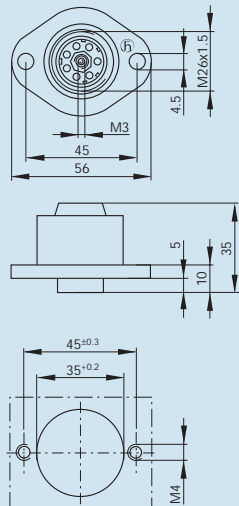
10 pieces

1 cable sockets, not assembled, in polythene bag, with assembly instructions

can be plugged into N11R AM,
N11R AM 5
contacts: RBC 162/1

CIRCULAR CONNECTORS NR-SERIES

Circular connectors NR-series > Panel-mounted socket

Type	N6R AF	N6R BFE
Order No.	931 855-001	931 730-106
	 <p>Panel-mounted socket with metal screw-in casing</p>	 <p>Panel-mounted socket with flange</p>
Product description Type of contact Number of contacts Conductor size Standard Housing Color	female 6 + PE max. 1.5 mm ² DIN 43651 grey, metallic	female 6 + PE max. 1.5 mm ² DIN 43651 grey
Drawing		
Technical data Pin dimensions Rated voltage Rated current Contact resistance Type of termination Suitable cables Mounting	1.6 mm AC/DC 250 V 10 A ≤ 5 mOhm crimp 0.5 mm ² to 1.5 mm ²	1.6 mm AC/DC 250 V 10 A ≤ 5 mOhm crimp 0.5 mm ² to 1.5 mm ² flange
Material Contact surface material Contact bearer material Housing material	Ag PET PET	Ag PET PET
Environmental conditions Protection class (IEC 60529) Temperature range	IP 65 -40 °C to +90 °C	IP 65 -40 °C to +90 °C
Packing unit Packaging unit	10 pieces	10 pieces
Scope of delivery and accessories Scope of delivery Accessories to order separately	1 panel-mounted socket, not assembled, in polythene bag, with assembly instructions can be plugged into N6R FM R, N6R EM; coding NC 6, order no. 831 002-011; protective cover SHK 2, order no. 733 845-001 contacts: RBC 162	1 panel-mounted socket, not assembled, in polythene bag, with assembly instructions can be plugged into N6R FM R, N6R DM; coding NC 6, order no. 831 002-011; protective cover SHK 2, order no. 733 845-001 contacts: RBC 162

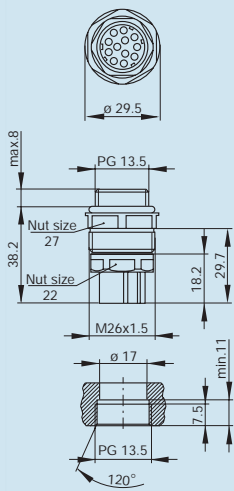
N11R AF 5

932 625-106



Panel-mounted socket with metal screw-in insert in the casing (metal segment)

female
11 + PE
max. 0.5 mm²
DIN 43651
grey



1.6 mm
AC/DC 60 V
5 A
 ≤ 5 mOhm
crimp
0.14 mm² to 0.5 mm²

Ag
PET
PET



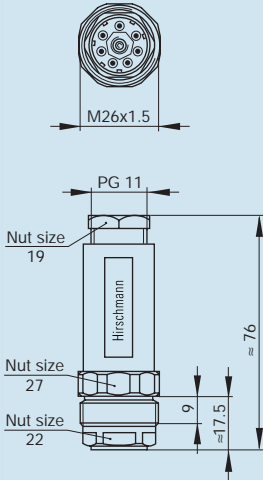
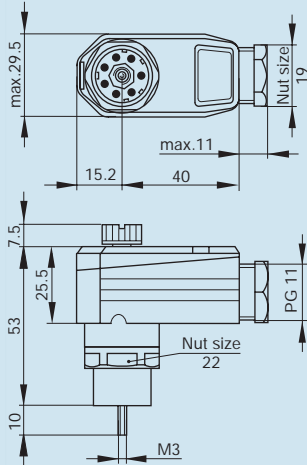
IP 65
-40 °C to +90 °C

10 pieces

1 panel-mounted socket, not assembled, in polythene bag, with assembly instructions can be plugged into N11R EM; protective cover SHK 2, order no. 733 845-001 contacts: RBC 162/1

CIRCULAR CONNECTORS NR-SERIES

Circular connectors NR-series > Cable plug

Type	N6R DM	N6R FM R
Order No.	932 273-106	931 727-106
	 <p>Cable coupling , strain relief by means of a clamping cage</p>	 <p>Angled cable plug with knurled screw, strain relief by means of a clamping cage</p>
Product description		
Type of contact	male	male
Number of contacts	6 + PE	6 + PE
Cable gland	PG 11	PG 11
Cable diameter	7 mm to 9 mm	7 mm to 9 mm
Conductor size	max. 1.5 mm ²	max. 1.5 mm ²
Standard	DIN 43651	DIN 43651
Housing Color	grey	grey
Drawing		
Technical data		
Pin dimensions	1.6 mm	1.6 mm
Rated voltage	AC/DC 250 V	AC/DC 250 V
Rated current	10 A	10 A
Contact resistance	≤ 5 mOhm	≤ 5 mOhm
Type of termination	crimp	crimp
Suitable cables	0.5 mm ² to 1.5 mm ²	0.5 mm ² to 1.5 mm ²
Material		
Contact surface material	Ag	Ag
Contact bearer material	PET	PET
Housing material	PET	PET
Environmental conditions		
Protection class (IEC 60529)	IP 65	IP 65
Temperature range	-40 °C to +90 °C	-40 °C to +90 °C
Packing unit		
Packaging unit	10 pieces	10 pieces
Scope of delivery and accessories		
Scope of delivery	1 coupling connector, not assembled, in polythene, with assembly instructions can be plugged into N6R EF; protective cover SHK 2, order no. 733 845-0014 contacts: RSC 162	1 cable plug, with knurled screw, not assembled, in polythene, with assembly instructions can be plugged into N6R AF, N6R BFE, N6R DM; coding NC 6, order no. 831 002-011 contacts: RSC 162
Accessories to order separately		

N6R EM

931 776-001



Straight cable plug,
strain relief by means of a clamping cage

male
6 + PE
PG 11
8 mm to 10 mm
max. 1.5 mm²
DIN 43651
grey

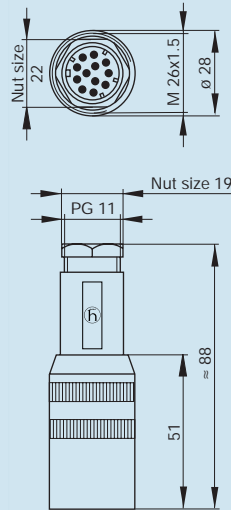
N11R EM

932 631-106



Straight cable plug,
strain relief by means of a clamping cage

male
11 + PE
PG 11
8 mm to 10 mm
max. 0.5 mm²
DIN 43651
grey



1.6 mm
AC/DC 250 V
10 A
≤ 5 mOhm
crimp
0.5 mm² to 1.5 mm²

Ag
PET
PET

IP 65
-40 °C to +90 °C

10 pieces

1 coupling plug, not assembled, in polythene bag with assembly instructions can be plugged into N6R AF, N6R BFE, Codierung NC6, oder no. 831 002-011; contacts: RSC 162

1.6 mm
AC/DC 60 V
5 A
≤ 5 mOhm
crimp
0.14 mm² to 0.5 mm²

Ag
PET
PET



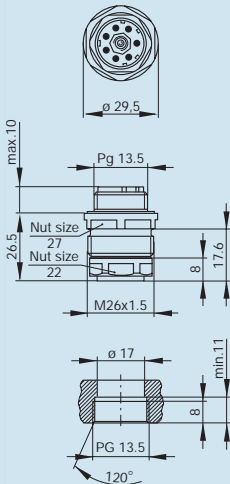
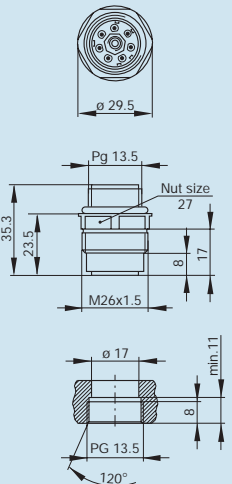
IP 65
-40 °C to +90 °C




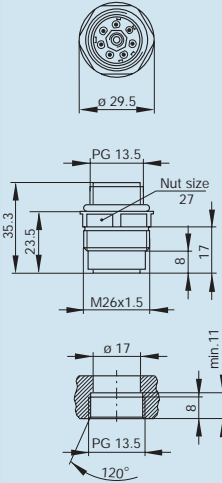
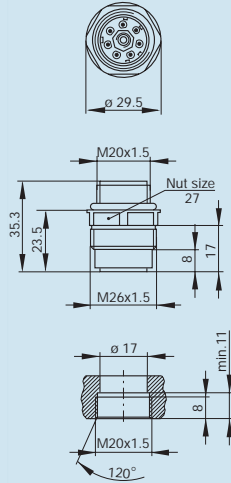
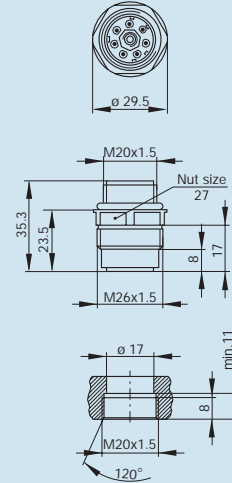
10 pieces

1 cable plug, not assembled, in polythene bag with assembly instructions can be plugged into N11R AF 5; contacts: RSC 162/1

CIRCULAR CONNECTORS NR-SERIES



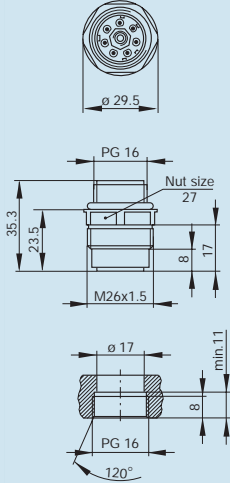
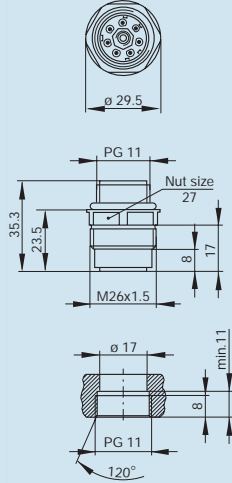
Circular connectors NR-series > Panel-mounted connector




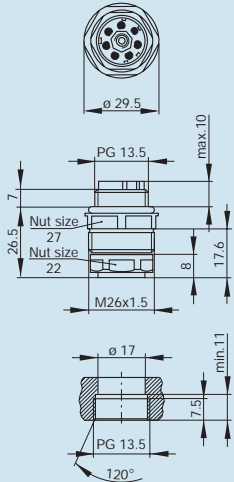
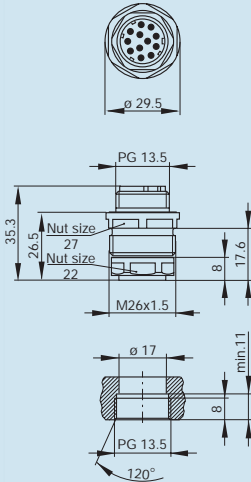
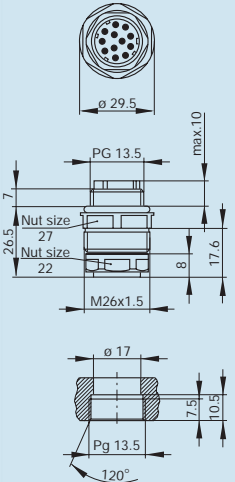
Type	N6R AM	N6R AM 2
Order No.	931 434-001	931 592-001
	 <p>Panel-mounted connector with metal screw-in casing</p>	 <p>Panel-mounted connector with contact bearer in the casing (monoblock design)</p>
Product description		
Type of contact	male	male
Number of contacts	6 + PE	6 + PE
Conductor size	max. 1.5 mm ²	max. 1.5 mm ²
Standard	DIN 43651	DIN 43651
Housing Color	grey	grey
Drawing		
Technical data		
Pin dimensions	1.6 mm	1.6 mm
Rated voltage	AC/DC 250 V	AC/DC 250 V
Rated current	10 A	10 A
Contact resistance	≤ 5 mOhm	≤ 5 mOhm
Type of termination	crimp	crimp
Suitable cables	0.5 mm ² to 1.5 mm ²	0.5 mm ² to 1.5 mm ²
Mounting		
Material		
Contact surface material	Ag	Ag
Contact bearer material	PET	PET
Housing material	PET	PET
Environmental conditions		
Protection class (IEC 60529)	IP 65	IP 65
Temperature range	-40 °C to +90 °C	-40 °C to +90 °C
Packing unit		
Packaging unit	10 pieces	10 pieces
Scope of delivery and accessories		
Scope of delivery	1 panel-mounted connector, not assembled, in polythene bag with assembly instructions can be plugged into N6R FF, N6R FF R, N6R EF; coding NC 6, order no. 831 002-011 protective cover SHK 2, order no. 733 845-001, contacts: RSC 162	1 panel-mounted connector with O-Ring in polythene bag with assembly instructions can be plugged into N6R FF, N6R FF R, N6R EF; coding NC 6, order no. 831 002-011 protective cover SHK 1, order no. 733 849-011, contacts: RSC 162
Accessories to order separately		

N6R AM 2 D	N6R AM 2 M20	N6R AM 2 D M20
<p>932 207-206</p>  <p>Panel-mounted connector with contact bearer in the casing (monoblock design), pins hermetically mounted to prevent ingress of liquids</p>	<p>931 592-004</p>  <p>Panel-mounted connector with contact bearer in the casing (monoblock design)</p>	<p>932 207-406</p>  <p>Panel-mounted connector with contact bearer in the casing (monoblock design), pins hermetically mounted to prevent ingress of liquids</p>
<p>male 6 + PE max. 1.5 mm² DIN 43651 grey</p>	<p>male 6 + PE max. 1.5 mm² DIN 43651 grey</p>	<p>male 6 + PE max. 1.5 mm² DIN 43651 grey</p>
		
<p>1.6 mm AC/DC 250 V 10 A ≤ 5 mOhm solder, concave pins 0.5 mm² to 1.5 mm²</p>	<p>1.6 mm AC/DC 250 V 10 A ≤ 5 mOhm crimp 0.5 mm² to 1.5 mm² M20x1.5</p>	<p>1.6 mm AC/DC 250 V 10 A ≤ 5 mOhm solder, concave pins 0.5 mm² to 1.5 mm² M20x1.5</p>
<p>Ag PET PET</p>	<p>Ag PET PET</p>	<p>Ag PET PET</p>
<p>IP 65 -40 °C to +90 °C</p>	<p>IP 65 -40 °C to +90 °C</p>	<p>IP 65 -40 °C to +90 °C</p>
<p>10 pieces</p>	<p>10 pieces</p>	<p>10 pieces</p>
<p>1 panel-mounted connector with O-Ring in polythene bag with assembly instructions can be plugged into N6R FF, N6R FF R, N6R EF; coding NC 6, order no. 831 002-011 protective cover SHK 1, order no. 733 849-011</p>	<p>1 panel-mounted connector with O-Ring in polythene bag with assembly instructions can be plugged into N6R FF, N6R FF R, N6R EF; coding NC 6, order no. 831 002-011 protective cover SHK 1, order no. 733 849-011 contacts: RSC 162</p>	<p>1 panel-mounted connector with O-Ring in polythene bag with assembly instructions can be plugged into N6R FF, N6R FF R, N6R EF; coding NC 6, order no. 831 002-011 protective cover SHK 1, order no. 733 849-011</p>

CIRCULAR CONNECTORS NR-SERIES



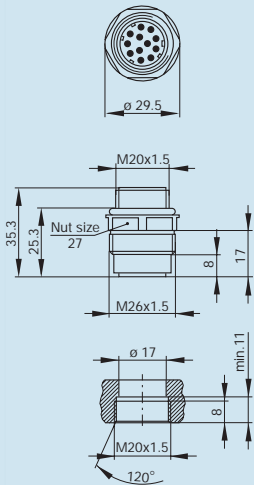
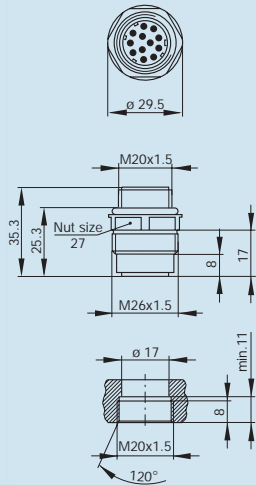
Circular connectors NR-series > Panel-mounted connector

Type	N6R AM 4	N6R AM 3
Order No.	931 592-003	931 592-002
	 <p>Panel-mounted connector with contact bearer in the casing (monoblock design)</p>	 <p>Panel-mounted connector with contact bearer in the casing (monoblock design)</p>
Product description Type of contact Number of contacts Conductor size Standard Housing Color	male 6 + PE max. 1.5 mm ² DIN 43651 grey	male 6 + PE max. 1.5 mm ² DIN 43651 grey
Drawing		
Technical data Pin dimensions Rated voltage Rated current Contact resistance Type of termination Suitable cables Mounting	1.6 mm AC/DC 250 V 10 A ≤ 5 mOhm crimp 0.5 mm ² to 1.5 mm ² PG 16	1.6 mm AC/DC 250 V 10 A ≤ 5 mOhm crimp 0.5 mm ² to 1.5 mm ² PG 11
Material Contact surface material Contact bearer material Housing material	Ag PET PET	Ag PET PET
Environmental conditions Protection class (IEC 60529) Temperature range	IP 65 -40 °C to +90 °C	IP 65 -40 °C to +90 °C
Packing unit Packaging unit	10 pieces	10 pieces
Scope of delivery and accessories Scope of delivery Accessories to order separately	1 panel-mounted connector with O-Ring in polythene bag with assembly instructions can be plugged into N6R FF, N6R FF R, N6R EF; coding NC 6, order no. 831 002-011 protective cover SHK 1, order no. 733 849-011 contacts: RSC 162	1 panel-mounted connector with O-Ring in polythene bag with assembly instructions can be plugged into N6R FF, N6R FF R, N6R EF; coding NC 6, order no. 831 002-011 protective cover SHK 1, order no. 733 849-011 contacts: RSC 162

N6R AM 5	N11R AM	N11R AM 5
<p>931 773-001</p>  <p>Panel-mounted connector with metal screw-in insert in the casing (metal segment)</p>	<p>932 626-106</p>  <p>Panel-mounted connector with metal screw-in casing</p>	<p>932 627-106</p>  <p>Panel-mounted connector with metal screw-in casing (metall segment)</p>
<p>male 6 + PE max. 1.5 mm² DIN 43651 grey</p>	<p>male 11 + PE max. 0.5 mm² DIN 43651 grey</p>	<p>male 11 + PE max. 0.5 mm² DIN 43651 grey</p>
		
<p>1.6 mm AC/DC 250 V 10 A ≤ 5 mOhm crimp 0.5 mm² to 1.5 mm²</p>	<p>1.6 mm AC/DC 60 V 5 A ≤ 5 mOhm crimp 0.14 mm² to 0.5 mm²</p>	<p>1.6 mm AC/DC 60 V 5 A ≤ 5 mOhm crimp 0.14 mm² to 0.5 mm²</p>
<p>Ag PET PET</p>	<p>Ag PET PET</p>	<p>Ag PET PET</p>
<p>IP 65 -40 °C to +90 °C</p>	<p>IP 65 -40 °C to +90 °C</p>	<p>IP 65 -40 °C to +90 °C</p>
<p>10 pieces</p>	<p>10 pieces</p>	<p>10 pieces</p>
<p>1 panel-mounted connector, not assembled, in polythene bag with assembly instructions can be plugged into N6R FF, N6R FF R, N6R EF; coding NC 6, order no. 831 002-011 protective cover SHK 2, order no. 733 845-001 contacts: RSC 162</p>	<p>1 panel-mounted connector, not assembled, in polythene bag with assembly instructions can be plugged into N11R FF, N11R EF; protective cover SHK 2, order no. 733 845-001 contacts: RSC 162/1</p>	<p>1 panel-mounted connector, not assembled, in polythene bag with assembly instructions can be plugged into N11R FF, N11R EF; protective cover SHK 2, order no. 733 845-001 contacts: RSC 162/1</p>



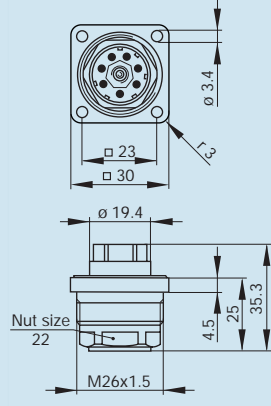
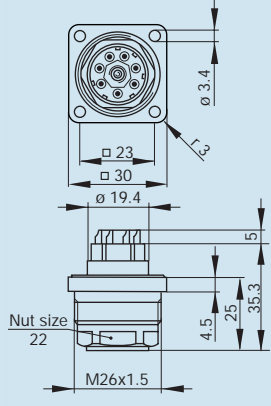
CIRCULAR CONNECTORS NR-SERIES

Circular connectors NR-series > Panel-mounted connector

Type	N11R AM 2 M20	N11R AM 2 D M20
Order No.	934 337-106	934 338-106
	 <p>Panel-mounted connector with metal screw-in casing (monoblock design)</p>	 <p>Panel-mounted connector with metal screw-in casing (monoblock design), Stifte flüssigkeitsdicht montiert</p>
Product description		
Type of contact	male	male
Number of contacts	11 + PE	11 + PE
Conductor size	max. 0.5 mm ²	max. 0.5 mm ²
Standard	DIN 43651	DIN 43651
Housing Color	grey	grey
Drawing		
Technical data		
Pin dimensions	1.6 mm	1.6 mm
Rated voltage	AC/DC 60 V	AC/DC 60 V
Rated current	5 A	5 A
Contact resistance	≤ 5 mOhm	≤ 5 mOhm
Type of termination	crimp	solder, concave pins
Suitable cables	0.14 mm ² to 0.5 mm ²	0.14 mm ² to 0.5 mm ²
Mounting	M20x1.5	M20x1.5
Material		
Contact surface material	Ag	Ag
Contact bearer material	PET	PET
Housing material	PET	PET
Environmental conditions		
Protection class (IEC 60529)	IP 65	IP 65
Temperature range	-40 °C to +90 °C	-40 °C to +90 °C
Packing unit		
Packaging unit	10 pieces	10 pieces
Scope of delivery and accessories		
Scope of delivery	1 panel-mounted connector with O-Ring in polythene bag with assembly instructions can be plugged into N11R FF, N11R EF;	1 panel-mounted connector with O-Ring in polythene bag with assembly instructions can be plugged into N11R FF, N11R EF;
Accessories to order separately	protective cover SHK 2, order no. 733 845-001 contacts: RSC 162/1	protective cover SHK 2, order no. 733 845-001



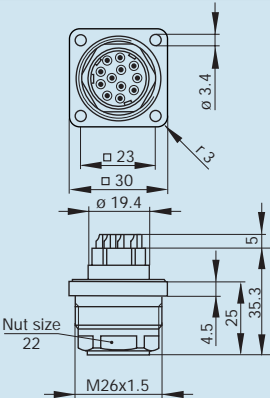
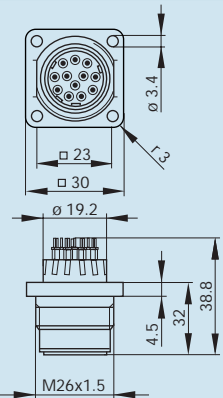
CIRCULAR CONNECTORS NR-SERIES

Circular connectors NR-series > Surface mounted connector

Type	N6R BM FA	N6R BM FA S
Order No.	932 437-206	933 710-001
		
	Surface-mounted connector with flange	Surface-mounted connector with flange
Product description		
Type of contact	male	male
Number of contacts	6 + PE	6 + PE
Conductor size	max. 1.5 mm ²	max. 1.5 mm ²
Housing Color	grey	grey
Drawing		
Technical data		
Pin dimensions	1.6 mm	1.6 mm
Rated voltage	AC/DC 250 V	AC 25 V / DC 50 V
Rated current	10 A	5 A
Contact resistance	≤ 5 mOhm	≤ 5 mOhm
Type of termination	crimp	solder, concave pins
Suitable cables	0.5 mm ² to 1.5 mm ²	0.5 mm ² to 1.5 mm ²
Mounting	flange	flange
Material		
Contact surface material	Ag	Ag
Contact bearer material	PET	PET
Housing material	PET	Zn Al/Ni
Environmental conditions		
Protection class (IEC 60529)	IP 65	IP 65
Temperature range	-40 °C to +90 °C	-40 °C to +90 °C
Packing unit		
Packaging unit	10 pieces	10 pieces
Scope of delivery and accessories		
Scope of delivery	1 surface-mounted connector with flat gasket, not assembled, in polythene bag with assembly instructions	1 surface-mounted connector, not assembled, in polythene bag with assembly instructions
Accessories to order separately	can be plugged into N6R FF, N6R FF R, N6R EF, N6R FF S 11; coding NC 6, order no. 831 002-011 protective cover SHK 2, order no. 733 845-001, contacts: RSC 162	can be plugged into N6R EF S; coding NC 6, order no. 831 002-011 protective cover SHK 2, order no. 733 845-001

CIRCULAR CONNECTORS NR-SERIES

Circular connectors NR-series > Surface mounted connector

Type	N11R BM FA S	N11R BM FA F Metall/metal
Order No.	933 699-001	934 392-001
	 <p>Surface-mounted connector with flange</p>	 <p>Surface-mounted connector with flange and filter selection 11 x 1nF, metal housing</p>
Product description Type of contact Number of contacts Conductor size Housing Color	male 11 + PE max. 0.5 mm ² grey	male 11 + PE grey
Drawing		
Technical data Pin dimensions Rated voltage Rated current Contact resistance Type of termination Suitable cables Mounting	1.6 mm AC 25 V / DC 50 V 5 A ≤ 5 mOhm solder, concave pins 0.14 mm ² to 0.5 mm ² flange	1.6 mm AC 25 V / DC 50 V 5 A ≤ 5 mOhm solder, solid pins flange
Material Contact surface material Contact bearer material Housing material	Ag PET Zn Al/Ni	Ag PET Zn Al/Ni
Environmental conditions Protection class (IEC 60529) Temperature range	IP 65 -40 °C to +90 °C	IP 65 -40 °C to +90 °C
Packing unit Packaging unit	10 pieces	50 pieces
Scope of delivery and accessories Scope of delivery Accessories to order separately	1 surface-mounted connector, not assembled, in polythene bag with assembly instructions can be plugged into N11R EF S; protective cover SHK 2, order no. 733 845-001	can be plugged into N11R EF S; protective cover SHK 2, order no. 733 845-001

N11R BM FA F Kunststoff/plastics

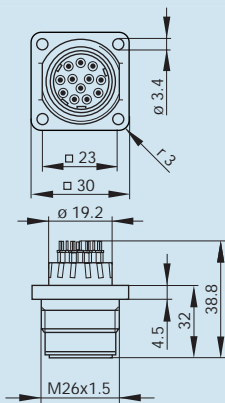
933 100-100



Surface-mounted connector with flange and filter selection 11 x 1nF,

male
11 + PE

black



1.6 mm
AC 25 V / DC 50 V
5 A
 ≤ 5 mOhm
solder, solid pins

flange

Ag
PET
Zn Al/Ni



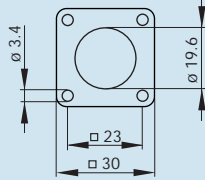
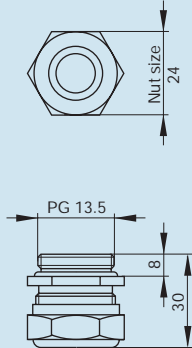
IP 65
-40 °C to +90 °C



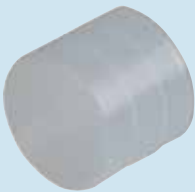
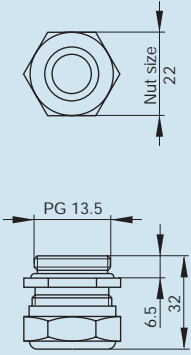
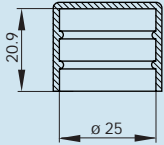
50 pieces

can be plugged into N11R EF S;
protective cover SHK 2,
order no. 733 845-001

CIRCULAR CONNECTORS NR-SERIES



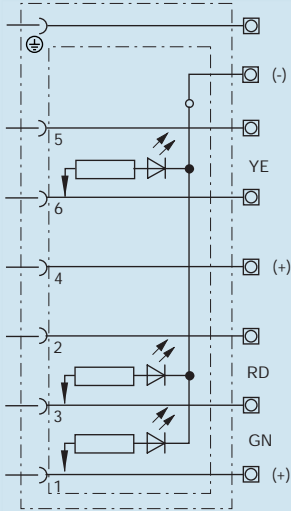
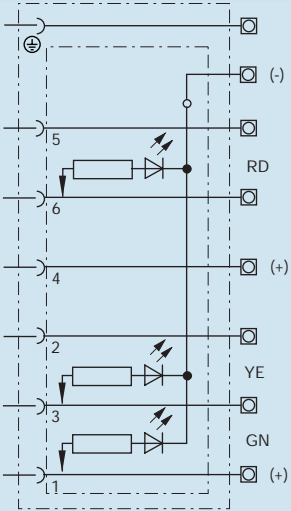
Circular connectors NR-series > Accessories NR-series

Type	N6R-40	N6R-42
Order No.	734 633-001	734 606-001
	 <p>Conductive flat gasket</p>	 <p>EMV-PG-cable gland for lead diameter 12 - 15 mm</p>
Product description Cable gland Cable diameter Housing Color		12 mm to 15 mm
Drawing		
Technical data Rated voltage Rated current Contact resistance Type of termination		
Material Housing material O-Ring	NBR	
Environmental conditions Temperature range	-40 °C to +90 °C	-40 °C to +90 °C
Packing unit Packaging unit	10 pieces	10 pieces
Scope of delivery and accessories Accessories to order separately	can be plugged into N6R BM FA S, N11R BM FA S	can be plugged into N6R EF S, N11R EF S

N6R-41	NC 6	SHK 4
<p>734 605-001</p>  <p>EMV-PG-cable gland for lead diameter 6 - 12 mm</p>	<p>831 002-011</p>  <p>Coding, complete</p>	<p>734 582-001</p>  <p>Protective cover for transport</p>
<p>6 mm to 12 mm</p>		
		
<p>-40 °C to +90 °C</p>	<p>-40 °C to +90 °C</p>	<p>-40 °C to +90 °C</p>
<p>10 pieces</p>	<p>10 pieces</p>	<p>10 pieces</p>
<p>can be plugged into N6R EF S, N11R EF S</p>	<p>can be plugged into all N6R...</p>	<p>can be plugged into N6R BM FA S, N11R BM FA S, ...</p>

CIRCULAR CONNECTORS NR-SERIES

Circular connectors NR-series > Accessories NR-series

Type	N6R 3 LED 24	N6R 3 LED 24 DB
Order No.	831 411-001	831 618-001
	 <p>LED insert with 3 LEDs (green, red, yellow) to indicate operation conditions</p>	 <p>LED insert with 3 LEDs (green, yellow, red) to indicate operation conditions</p>
Product description Cable gland Cable diameter Housing Color		
Drawing		
Technical data Rated voltage Rated current Contact resistance Type of termination	DC 24 V 10 A ≤ 5 mOhm plug in	DC 24 V 10 A ≤ 5 mOhm plug in
Material Housing material O-Ring		
Environmental conditions Temperature range	-40 °C to +90 °C	-40 °C to +90 °C
Packing unit Packaging unit	10 pieces	10 pieces
Scope of delivery and accessories Accessories to order separately	can be plugged into N6R FF S 11	can be plugged into N6R FF S 11