

The compact model, with several keying options.

We have something that addresses your space concerns: the G-series.

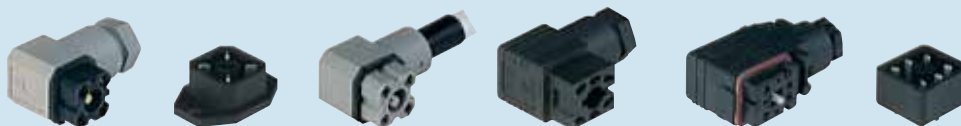


Where other plug connectors have a tough time finding space, the G-series does very well within space constraints – for this reason, the rectangular connector, with its compact dimensions, is a fixed entity in miniaturization. One can find the G-series in power and control cable connections for small drives in hydraulic and pneumatic control systems, electromedical devices and photo cells for example, as well as in microfilm viewers and slide projectors, coolers and garage door control systems.

Hirschmann offers the G-series in two structurally identical versions either with or without earthing contact – in all cases with numbering in order to prevent accidental miswiring. The space-saving connection of sensors, position-measuring and wind-measuring devices is also possible, apart from use in underground construction. And since difficult environmental conditions are not a problem, the G-series may be found very often in oil-drilling rigs and tractors, container ships and loading stations, heavy construction machinery, racking and painting installations.

The small rectangular connector is a big success where space is scarce, such as for example in the case of photoelectric barriers and curtains and in underground construction.



The design and materials of the G-series fulfill the specifications as per VDE 0660 and offer protection against dust and sprayed water.





Rectangular connectors.

Program overview G-series.

Cable socket	
integrally molded lead	self-assembly
 2-pole from page 280 2-pole + PE from page 280 3-pole + PE from page 282 4-pole from page 283	 2-pole + PE from page 281 3-pole + PE from page 281 4-pole from page 283 5-pole + PE from page 285 6-pole from page 285 6-pole + PE from page 286 7-pole from page 287

Panel-mounted socket
 3-pole + PE from page 281



Cable plug

integrally molded lead



2-pole + PE from page 288
3-pole + PE from page 288

Panel-mounted connector



2-pole + PE from page 289
3-pole + PE from page 289
4-pole from page 291

Surface-mounted connector



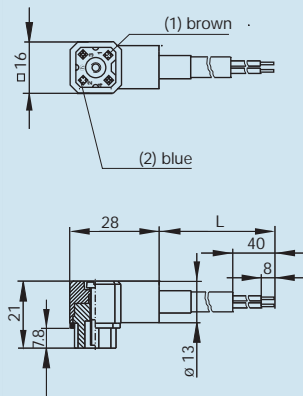
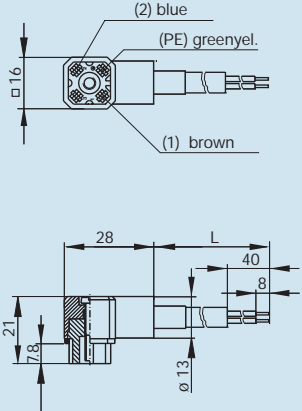





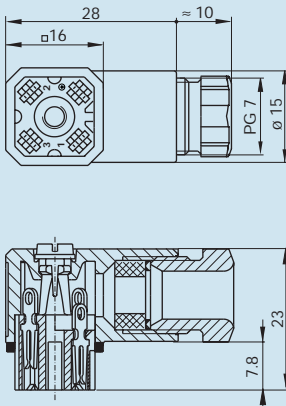
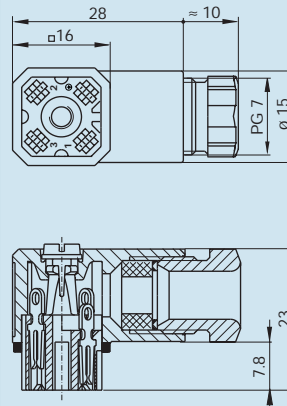
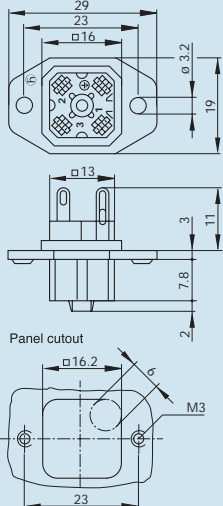
3-pole + PE from page 288
4-pole from page 290
5-pole + PE from page 292
6-pole from page 293
6-pole + PE from page 295
7-pole from page 295



RECTANGULAR CONNECTORS G-SERIES



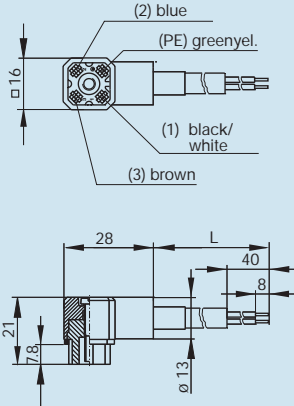
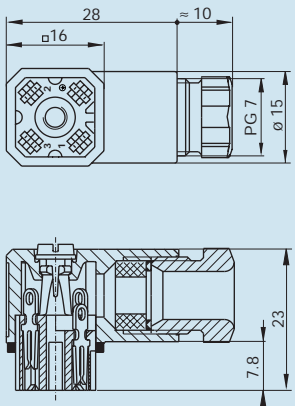
Rectangular connectors G-series > Cable socket




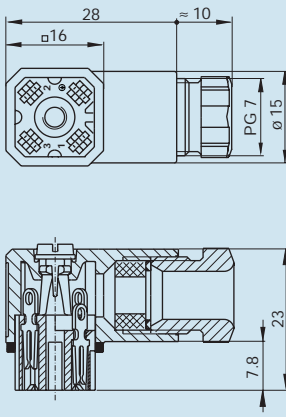
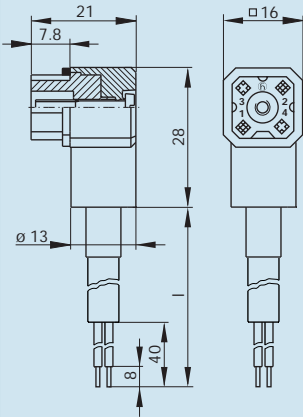
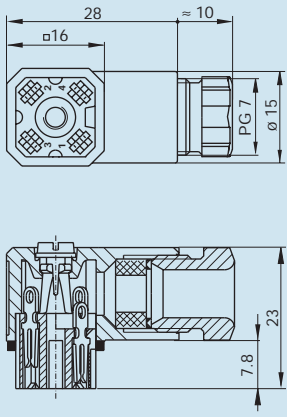
Type	G 2 KW 1 F 1,5m	G 20 KW 3 F 3m
Order No.	931 494-603	932 041-002
		
	Cable socket with integrally molded lead	Cable socket, with integrally molded lead
Product description		
Type of contact	forked spring	forked spring
Number of contacts	2	2 + PE
Cable material	PVC	PVC
Cable length	1.5 m	3 m
Cable gland		
Cable diameter		
Conductor size	2 x 0.75 mm ²	3 x 1 mm ²
Cable type	H05 RN-F 2X0,75	H05 VV-F 3G1
Standard	DIN VDE 0627 / IEC 61984	DIN VDE 0627 / IEC 61984
Housing Color	black	grey
Drawing		
Technical data		
Rated voltage	AC 50 V / DC 120 V	AC/DC 250 V
Rated current	10 A	10 A
Contact resistance	≤ 4 mOhm	≤ 4 mOhm
Type of termination		
Suitable cables		
Material		
Contact surface material	Sn	Sn
Contact bearer material	PA	PA
Housing material	PA	PA
Environmental conditions		
Protection class (IEC 60529)	IP 65	IP 65
Pollution severity	3	3
Temperature range	-40 °C to +90 °C	-40 °C to +90 °C
Inflammability class		
Housing	94 HB	94 HB
Contact bearer	94 HB	94 HB
Approvals		
VDE	VDE	VDE
Packing unit		
Packaging unit	100 pieces	20 pieces
Scope of delivery and accessories		
Scope of delivery	1 cable socket with integrally molded lead, 1 central screw M 3 x 18, 1 gasket	1 cable socket with integrally molded lead, 1 central screw M 3 x 18, 1 gasket
Accessories to order separately	can be plugged into G 4 E 1 M grau/grey	can be plugged into G 30 E 3 M, G 20 KW 3 M 1,5m

G 20 W 3 F grau/grey	G 20 W 3 F schwarz/black	G 30 E 3 F grau/grey
932 185-106  <p>Cable socket with PG 7 cable gland and solder contacts</p>	932 185-100  <p>Cable socket with PG 7 cable gland and solder contacts</p>	931 782-106  <p>Panel-mounted socket grey with flange, with solder contacts</p>
forked spring 2 + PE PG 7 0.14 - 0.5 mm ² DIN VDE 0627 / IEC 61984 grey	forked spring 2 + PE PG 7 0.14 - 0.5 mm ² DIN VDE 0627 / IEC 61984 black	forked spring 3 + PE DIN VDE 0627 / IEC 61984 grey
		
AC/DC 250 V 6 A ≤ 4 mOhm solder 4 mm to 7.5 mm	AC/DC 250 V 6 A ≤ 4 mOhm solder 4 mm to 7.5 mm	AC/DC 250 V 10 A ≤ 4 mOhm solder 4 mm to 7.5 mm
Sn PA PA	Sn PA PA	Sn PA PA
IP 65 3 -40 °C to +90 °C	IP 65 3 -40 °C to +90 °C	IP 65 3 -40 °C to +90 °C
94 HB 94 HB	94 HB 94 HB	94 HB 94 HB
VDE	VDE	VDE
100 pieces	100 pieces	100 pieces
1 cable socket with PG 7 cable gland, 1 central screw M 3 x 30, 1 gasket, not assembled, in polythene bag can be plugged into G 30 E 3 M	1 cable socket with PG 7 cable gland, 1 central screw M 3 x 30, 1 gasket, not assembled, in polythene bag can be plugged into G 30 E 3 M	1 panel-mounted socket can be plugged into G 30 KW 3 M; flat gasket G 30 E-1, order no. 732 135-002

RECTANGULAR CONNECTORS G-SERIES



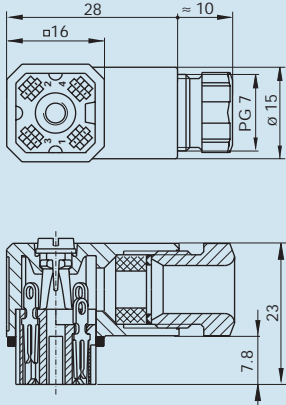
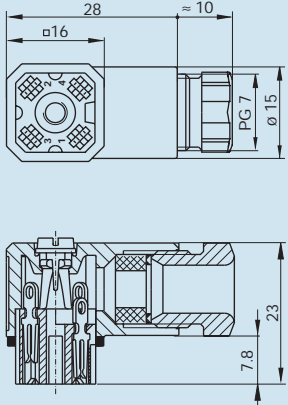
Rectangular connectors G-series > Cable socket




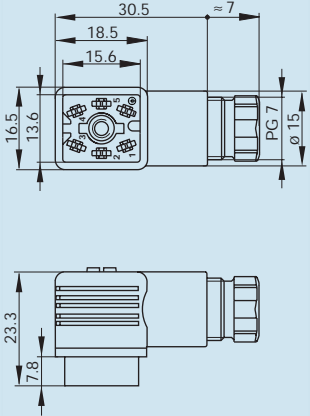
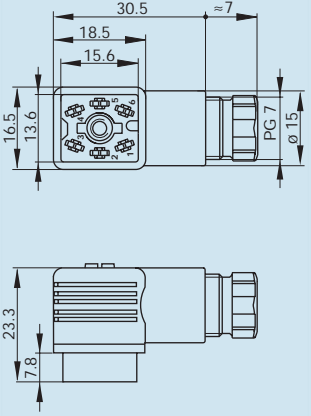
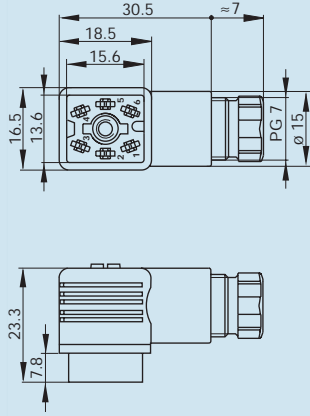
Type	G 30 KW 3 F 2m	G 30 W 3 F grau/grey
Order No.	931 608-003	932 186-106
	 <p>Cable socket, with integrally molded lead</p>	 <p>Cable socket with PG 7 cable gland and solder contacts</p>
Product description		
Type of contact	forked spring	forked spring
Number of contacts	3 + PE	3 + PE
Cable material	PVC	
Cable length	2 m	
Cable gland		PG 7
Cable diameter		
Conductor size	4 x 1 mm ²	max. 0.5 mm ²
Cable type	H05 VV-F 4G1	
Standard	DIN VDE 0627 / IEC 61984	DIN VDE 0627 / IEC 61984
Housing Color	grey	grey
Drawing		
Technical data		
Rated voltage	AC/DC 250 V	AC/DC 250 V
Rated current	10 A	6 A
Contact resistance	≤ 4 mOhm	≤ 4 mOhm
Type of termination		solder
Suitable cables		4 mm to 7.5 mm
Material		
Contact surface material	Sn	Sn
Contact bearer material	PA	PA
Housing material	PA	PA
Environmental conditions		
Protection class (IEC 60529)	IP 65	IP 65
Pollution severity	3	3
Temperature range	-40 °C to +90 °C	-40 °C to +90 °C
Inflammability class		
Housing	94 HB	94 HB
Contact bearer	94 HB	94 HB
Approvals		
VDE	VDE	VDE
Packing unit		
Packaging unit	20 pieces	100 pieces
Scope of delivery and accessories		
Scope of delivery	1 cable socket with integrally molded lead, 1 central screw M 3 x 18, 1 gasket	1 cable socket with PG 7 cable gland, 1 central screw M 3 x 20, 1 gasket, not assembled, in polythene bag can be plugged into G 30 E 3 M, G 30 A 3 M grau/grey
Accessories to order separately	can be plugged into G 30 A 3 M grau/grey, G 30 E 3 M	

G 30 W 3 F schwarz/black	G 4 KW 1 F 2m	G 4 W 1 F grau/grey
<p>932 186-100</p>  <p>Cable socket with PG 7 cable gland and solder contacts</p>	<p>931 805-602</p>  <p>Cable socket, with integrally molded lead</p>	<p>932 157-106</p>  <p>Cable socket with PG 7 cable gland and solder contacts</p>
<p>forked spring 3 + PE</p> <p>PG 7</p> <p>0.14 - 0.5 mm²</p> <p>DIN VDE 0627 / IEC 61984 black</p>	<p>forked spring 4</p> <p>PVC 2 m</p> <p>4 x 0.75 mm² A03 VV-F 4X0,75 DIN VDE 0627 / IEC 61984 grey</p>	<p>forked spring 4</p> <p>PG 7</p> <p>0.14 - 0.5 mm²</p> <p>DIN VDE 0627 / IEC 61984 grey</p>
		
<p>AC/DC 250 V 6 A ≤ 4 mOhm solder 4 mm to 7.5 mm</p>	<p>AC/DC 50 V 10 A ≤ 4 mOhm</p>	<p>AC/DC 50 V 6 A ≤ 4 mOhm solder 4 mm to 7.5 mm</p>
<p>Sn PA PA</p>	<p>Sn PA PA</p>	<p>Sn PA PA</p>
<p>IP 65 3 -40 °C to +90 °C</p>	<p>IP 65 3 -40 °C to +90 °C</p>	<p>IP 65 3 -40 °C to +90 °C</p>
<p>94 HB 94 HB</p>	<p>94 HB 94 HB</p>	<p>94 HB 94 HB</p>
<p>VDE</p>	<p>VDE</p>	<p>VDE</p>
<p>100 pieces</p>	<p>100 pieces</p>	<p>100 pieces</p>
<p>1 cable socket with PG 7 cable gland, 1 central screw M 3 x 20, 1 gasket, not assembled, in polythene bag can be plugged into G 30 E 3 M, G 30 A 3 M grau/grey</p>	<p>1 cable socket with integrally molded lead, 1 central screw M 3 x 20, 1 gasket can be plugged into G 4 E 1 M grau/grey, G 4 A 5 M grau/grey, G 4 A 1 M</p>	<p>1 cable socket with PG 7 cable gland, 1 central screw M 3 x 20, 1 gasket, in polythene bag can be plugged into G 4 E 1 M grau/grey, G 4 A 5 M grau/grey, G 4 A 1 M</p>

RECTANGULAR CONNECTORS G-SERIES



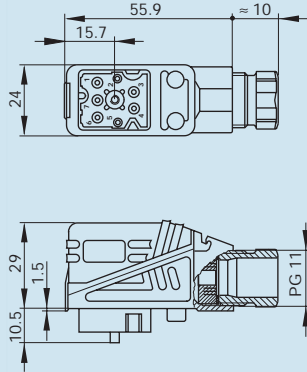
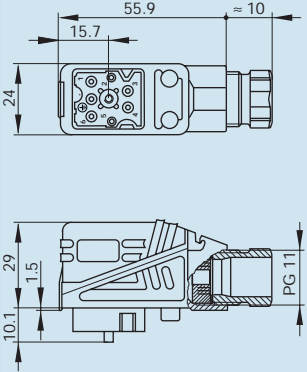
Rectangular connectors G-series > Cable socket

Type	G 4 W 1 F schwarz/black	G 4 W 1 F HT grau/grey
Order No.	932 157-100	932 157-206
	 <p>Cable socket with PG 7 cable gland and solder contacts</p>	 <p>Cable socket for applications of high temperatures with PG 7 cable gland and solder contacts</p>
Product description		
Type of contact	forked spring	forked spring
Number of contacts	4	4
Cable material		
Cable length		
Cable gland	PG 7	PG 7
Cable diameter		
Conductor size	0.14 - 0.5 mm ²	0.14 - 0.5 mm ²
Cable type		
Standard	DIN VDE 0627 / IEC 61984	DIN VDE 0627 / IEC 61984
Housing Color	black	grey
Drawing		
Technical data		
Rated voltage	AC/DC 50 V	AC/DC 50 V
Rated current	6 A	6 A
Contact resistance	≤ 4 mOhm	≤ 4 mOhm
Type of termination	solder	solder
Suitable cables	4 mm to 7.5 mm	4 mm to 7.5 mm
Material		
Contact surface material	Sn	Sn
Contact bearer material	PA	PA
Housing material	PA	PA
Environmental conditions		
Protection class (IEC 60529)	IP 65	IP 65
Pollution severity	3	3
Temperature range	-40 °C to +90 °C	-40 °C to +125 °C
Inflammability class		
Housing	94 HB	94 HB
Contact bearer	94 HB	94 HB
Approvals		
VDE	VDE	VDE
Packing unit		
Packaging unit	100 pieces	100 pieces
Scope of delivery and accessories		
Scope of delivery	1 cable socket with PG 7 cable gland, 1 central screw M 3 x 20, 1 gasket, in polythene bag	1 cable socket with PG 7 cable gland, 1 central screw M 3 x 20, 1 gasket, in polythene bag
Accessories to order separately	can be plugged into G 4 E 1 M grau/grey, G 4 A 5 M schwarz/black, G 4 A 1 M	can be plugged into G 4 E 1 M grau/grey, G 4 A 5 M grau/grey, G 4 A 1 M

GO 51 WF schwarz/black	GO 6 WF schwarz/black	GO 60 WF schwarz/black
<p>932 351-200</p>  <p>Cable socket with PG 7 cable gland with solder contacts</p>	<p>932 447-100</p>  <p>Cable socket with PG 7 cable gland and solder contacts</p>	<p>932 448-100</p>  <p>Cable socket with PG 7 cable gland and solder contacts</p>
<p>forked spring 5 + PE</p> <p>PG 7</p> <p>0.14 - 0.5 mm²</p> <p>DIN VDE 0627 / IEC 61984 black</p>	<p>forked spring 6</p> <p>PG 7</p> <p>0.14 - 0.5 mm²</p> <p>DIN VDE 0627 / IEC 61984 black</p>	<p>forked spring 6</p> <p>PG 7</p> <p>0.14 - 0.5 mm²</p> <p>DIN VDE 0627 / IEC 61984 black</p>
		
<p>AC/DC 250 V 6 A ≤ 4 mOhm solder 4 mm to 7.5 mm</p>	<p>AC/DC 50 V 6 A ≤ 4 mOhm solder 4 mm to 7.5 mm</p>	<p>AC/DC 250 V 6 A ≤ 4 mOhm solder 4 mm to 7.5 mm</p>
<p>Sn PA PA</p>	<p>Sn PA PA</p>	<p>Sn PA PA</p>
<p>IP 65 3 -40 °C to +90 °C</p>	<p>IP 65 3 -40 °C to +90 °C</p>	<p>IP 65 3 -40 °C to +90 °C</p>
<p>94 V-1 94 V-1</p>	<p>94 V-1 94 V-1</p>	<p>94 V-1 94 V-1</p>
<p>100 pieces</p>	<p>100 pieces</p>	<p>100 pieces</p>
<p>1 cable socket with PG 11 cable gland, 1 central screw M 3 x 20, 1 gasket, not assembled, in polythene bag can be plugged into GO 51 UM, GO 51 FAV M</p>	<p>1 cable socket with PG 7 cable gland, 1 central screw M 3 x 20, 1 gasket, not assembled, in polythene bag can be plugged into GO 6 UM, GO 6 FAV M</p>	<p>1 cable socket with PG 7 cable gland, 1 central screw M 3 x 20, 1 gasket, not assembled, in polythene bag can be plugged into GO 60 UM, GO 60 FAV M</p>

RECTANGULAR CONNECTORS G-SERIES

Rectangular connectors G-series > Cable socket

Type	GO 070 WF schwarz/black	GO 610 WF schwarz/black
Order No.	932 483-100	932 484-100
	 <p>Cable socket with PG 11 cable gland with screw contacts</p>	 <p>Cable socket with PG 11 cable gland with screw contacts</p>
Product description		
Type of contact	female	female
Number of contacts	7	6 + PE
Cable material		
Cable length		
Cable gland	PG 11	PG 11
Cable diameter		
Conductor size	0.25 - 1 mm ²	0.25 - 1 mm ²
Cable type		
Standard	DIN VDE 0627 / IEC 61984	DIN VDE 0627 / IEC 61984
Housing Color	black	black
Drawing		
Technical data		
Rated voltage	AC/DC 50 V	AC/DC 250 V
Rated current	10 A	10 A
Contact resistance	≤ 4 mOhm	≤ 4 mOhm
Type of termination	screw	screw
Suitable cables	4 mm to 10 mm	4 mm to 10 mm
Material		
Contact surface material	Sn	Sn
Contact bearer material	PA	PA
Housing material	PA	PA
Environmental conditions		
Protection class (IEC 60529)	IP 65	IP 65
Pollution severity	3	3
Temperature range	-40 °C to +90 °C	-40 °C to +90 °C
Inflammability class		
Housing	94 V-1	94 V-1
Contact bearer	94 V-1	94 V-1
Approvals		
VDE		
Packing unit		
Packaging unit	100 pieces	100 pieces
Scope of delivery and accessories		
Scope of delivery	1 cable socket with PG 11 cable gland, 1 central screw M 3 x 35, 2 gaskets, not assembled, in polythene bag can be plugged into GO 070 FA M	1 cable socket with PG 11 cable gland, 1 central screw M 3 x 35, 2 gaskets, not assembled, in polythene bag can be plugged into GO 610 FA M
Accessories to order separately		

GO 700 WF schwarz/black

932 485-100



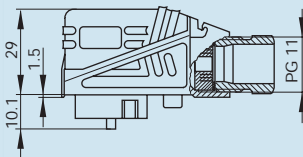
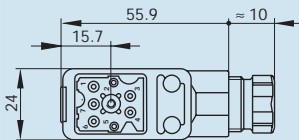
Cable socket with PG 11 cable gland with screw contacts

female
7

PG 11

0.25 - 1 mm²

DIN VDE 0627 / IEC 61984
black



AC/DC 250 V
10 A
≤ 4 mOhm
screw
4 mm to 10 mm

Sn
PA
PA

IP 65
3
-40 °C to +90 °C



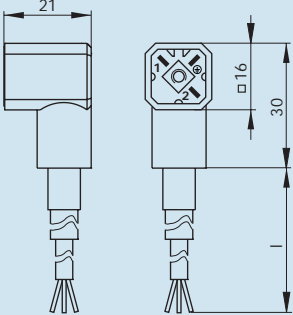
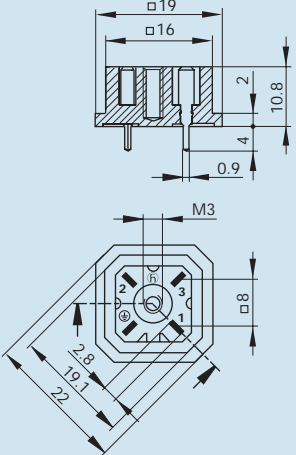
94 V-1
94 V-1


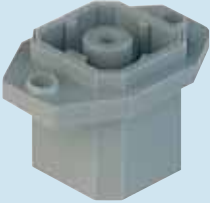

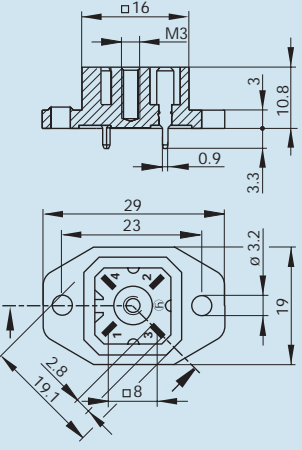
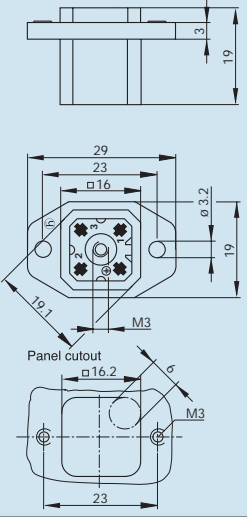
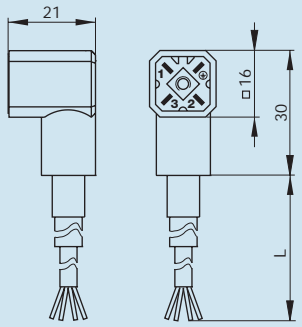
100 pieces

1 cable socket with PG 11 cable gland,
1 central screw M 3 x 35,
2 gaskets,
not assembled, in polythene bag
can be plugged into GO 700 FA M

RECTANGULAR CONNECTORS G-SERIES



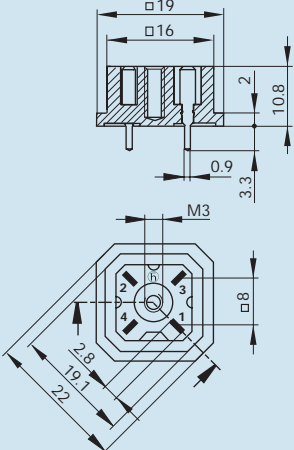
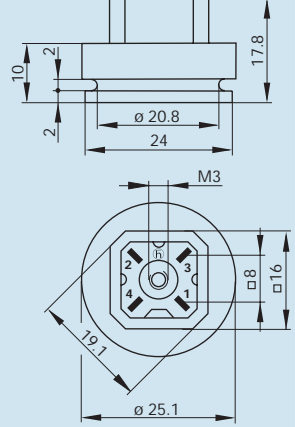
Rectangular connectors G-series > Cable plug

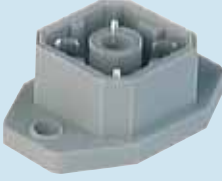


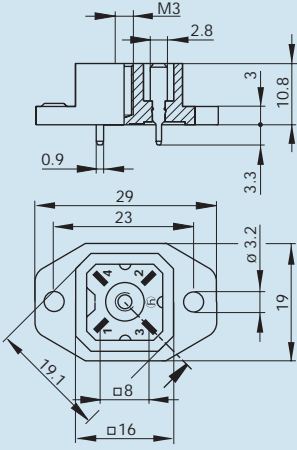
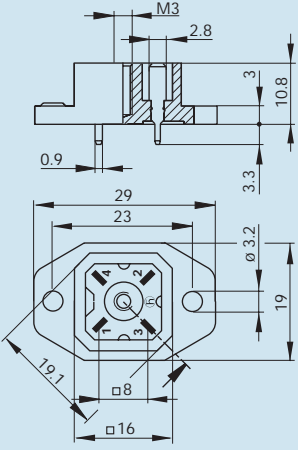
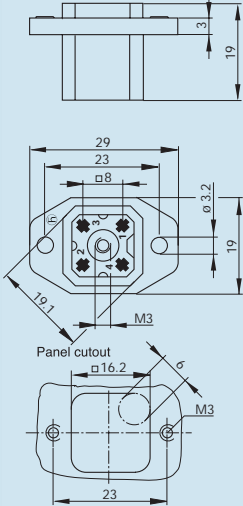
Type	G 20 KW 3 M 1,5m	G 30 A 3 M grau/grey
Order No.	931 793-001	931 700-106
	 <p>Cable plug with integrally molded lead</p>	 <p>Surface mounted connector for printed circuit boards with solder contacts</p>
Product description		
Type of contact	blade contacts	blade contacts
Number of contacts	2 + PE	3 + PE
Cable material	PVC	
Cable length	1.5 m	
Cable gland		
Cable diameter		
Conductor size	3 x 0.75 mm ²	
Cable type	H05 VV-F 3G0,75	
Standard	DIN VDE 0627 / IEC 61984	DIN VDE 0627 / IEC 61984
Housing Color	grey	grey
Drawing		
Technical data		
Pin dimensions	2.8 mm x 0.8 mm	2.8 mm x 0.8 mm
Wire stranding		
Rated voltage	AC/DC 250 V	AC/DC 250 V
Rated current	10 A	10 A
Contact resistance	≤ 4 mOhm	≤ 4 mOhm
Type of termination		solder (solder tabs for printed circuits)
Suitable cables		
Mounting	central screw	
Material		
Contact surface material	Sn	Sn
Contact bearer material	PA	PA
Housing material	PA	PA
Environmental conditions		
Protection class (IEC 60529)	IP 65	IP 65
Pollution severity	3	3
Temperature range	-40 °C to +90 °C	-40 °C to +90 °C
Inflammability class		
Housing	94 HB	94 HB
Contact bearer	94 HB	94 HB
Approvals		
VDE	VDE	VDE
Packing unit		
Packaging unit	20 pieces	100 pieces
Scope of delivery and accessories		
Scope of delivery	1 cable plug with integrally molded lead, 1 central screw M 3 x 18 can be plugged into G 20 W 3 F grau/grey	1 surface mounted connector
Accessories to order separately		can be plugged into G 30 KW 3 F 2m, G 30 W 3 F grau/grey

G 30 A 5 M schwarz/black	G 30 E 3 M grau/grey	G 30 KW 3 M 2m
932 840-100	731 996-506	931 783-001
 <p>Surface mounted connector with flange with solder contacts</p>	 <p>Panel-mounted connector for crimp contacts</p>	 <p>Cable plug with integrally molded lead</p>
<p>blade contacts 3 + PE</p> <p>DIN VDE 0627 / IEC 61984 black</p>	<p>blade contacts 3 + PE, alternatively 2 + PE</p> <p>DIN VDE 0627 / IEC 61984 grey</p>	<p>blade contacts 3 + PE PVC 2 m</p> <p>4 x 0.75 mm² A03 VV-F 4G0,75 DIN VDE 0627 / IEC 61984 grey</p>
		 <p>1 - black / white 2 - grey 3 - brown PE - greenyellow</p>
<p>2.8 mm x 0.8 mm</p> <p>AC/DC 250 V 10 A ≤ 4 mOhm solder (solder tabs for printed circuits)</p>	<p>2.8 mm x 0.8 mm</p> <p>AC/DC 250 V 10 A ≤ 4 mOhm crimp 4 mm to 7.5 mm screws</p>	<p>2.8 mm x 0.8 mm</p> <p>AC/DC 250 V 10 A ≤ 4 mOhm</p> <p>central screw</p>
<p>Sn PA PA</p>	<p>Sn PA PA</p>	<p>Sn PA PA</p>
<p>IP 65 3 -40 °C to +90 °C</p>	<p>IP 65 3 -40 °C to +90 °C</p>	<p>IP 65 3 -40 °C to +90 °C</p>
<p>94 HB 94 HB</p>	<p>94 HB 94 HB</p>	<p>94 HB 94 HB</p>
<p>VDE</p>	<p>VDE</p>	<p>VDE</p>
<p>100 pieces</p>	<p>100 pieces</p>	<p>20 pieces</p>
<p>1 surface mounted connector</p> <p>can be plugged into G 30 KW 3 F 2m, G 30 W 3 F grau/grey</p>	<p>1 insulated casing without crimping contacts</p> <p>can be plugged into G 30 KW 3 F 2m, G 30 W 3 F grau/grey, G 20 W 3 F grau/grey; flat gasket G 30 E-1, order no. 732 135-002 crimping contacts RMC 280, order no. 731 991-021</p>	<p>1 cable plug with integrally molded lead</p> <p>can be plugged into G 30 E 3 F grau/grey, G 30 W 3 F grau/grey, G 30 KW 3 F 2m</p>

RECTANGULAR CONNECTORS G-SERIES



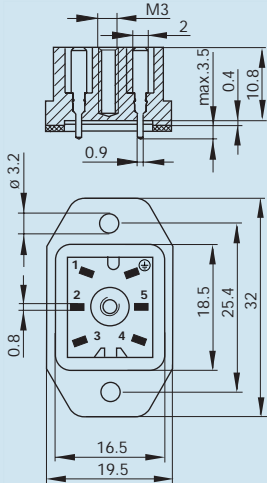
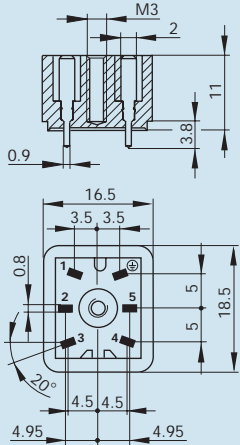
Rectangular connectors G-series > Cable plug




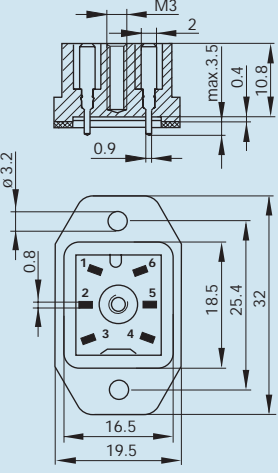
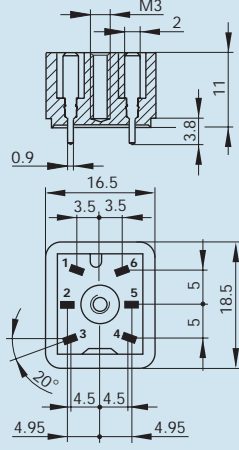
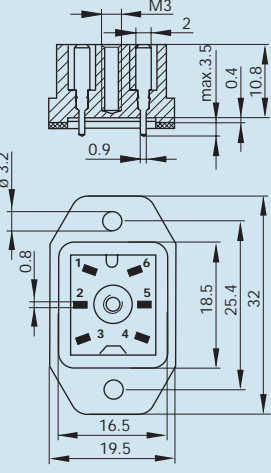
Type	G 4 A 1 M grau/grey	G 4 A 1 M MT schwarz/black
Order No.	931 807-106	932 823-100
	 <p>Surface mounted connector for printed circuit boards with solder contacts</p>	 <p>Press-fit surface mounted connector with solder contacts</p>
Product description		
Type of contact	blade contacts	blade contacts
Number of contacts	4	4
Cable material		
Cable length		
Cable gland		
Cable diameter		
Conductor size		
Cable type		
Standard	DIN VDE 0627 / IEC 61984	DIN VDE 0627 / IEC 61984
Housing Color	grey	black
Drawing		
Technical data		
Pin dimensions	2.8 mm x 0.8 mm	2.8 mm x 0.8 mm
Wire stranding		
Rated voltage	AC/DC 50 V	AC/DC 50 V
Rated current	10 A	10 A
Contact resistance	≤ 4 mOhm	≤ 4 mOhm
Type of termination	solder (solder tabs for printed circuits)	solder
Suitable cables	4 mm to 7.5 mm	
Mounting		
Material		
Contact surface material	Sn	Sn
Contact bearer material	PA	PA
Housing material	PA	PA
Environmental conditions		
Protection class (IEC 60529)	IP 65	IP 65
Pollution severity	3	3
Temperature range	-40 °C to +90 °C	-40 °C to +90 °C
Inflammability class		
Housing	94 HB	94 HB
Contact bearer	94 HB	94 HB
Approvals		
VDE	VDE	VDE
Packing unit		
Packaging unit	100 pieces	100 pieces
Scope of delivery and accessories		
Scope of delivery	1 surface mounted connector	1 surface mounted connector
Accessories to order separately	can be plugged into G 4 W 1 F grau, G 4 KW 1 F 2m	can be plugged into G 4 W 1 F grau, G 4 KW 1 F 2m

G 4 A 5 M grau/grey	G 4 A 5 M schwarz/black	G 4 E 1 M grau/grey
<p>932 092-106</p>  <p>Surface mounted connector for printed circuit boards with flange and solder contacts</p>	<p>932 092-100</p>  <p>Surface mounted connector for printed circuit boards with flange and solder contacts</p>	<p>731 802-506</p>  <p>Panel-mounted connector for crimp contacts</p>
<p>blade contacts 4</p>	<p>blade contacts 4</p>	<p>blade contacts 4, alternatively 3 or 2</p>
<p>DIN VDE 0627 / IEC 61984 grey</p> 	<p>DIN VDE 0627 / IEC 61984 black</p> 	<p>DIN VDE 0627 / IEC 61984 grey</p> 
<p>2.8 mm x 0.8 mm AC/DC 50 V 10 A ≤ 4 mOhm solder (solder tabs for printed circuits) screws</p>	<p>2.8 mm x 0.8 mm AC/DC 50 V 10 A ≤ 4 mOhm solder (solder tabs for printed circuits)</p>	<p>2.8 mm x 0.8 mm AC/DC 50 V 10 A ≤ 4 mOhm crimp screws</p>
<p>Sn PA PA</p>	<p>Sn PA PA</p>	<p>Sn PA PA</p>
<p>IP 65 3 -40 °C to +90 °C</p>	<p>IP 65 3 -40 °C to +90 °C</p>	<p>IP 65 3 -40 °C to +90 °C</p>
<p>94 HB 94 HB</p>	<p>94 HB 94 HB</p>	<p>94 HB 94 HB</p>
<p>VDE</p>	<p>VDE</p>	<p>VDE</p>
<p>100 pieces</p>	<p>100 pieces</p>	<p>100 pieces</p>
<p>1 surface mounted connector can be plugged into G 4 W 1 F grau, G 4 KW 1 F 2m; flat gasket G 30 E-2, order no. 733 415-002</p>	<p>1 surface mounted connector can be plugged into G 4 W 1 F schwarz/black, G 4 KW 1 F 2m; flat gasket G 30 E-2, order no. 733 415-002</p>	<p>1 insulated casing without crimping contacts can be plugged into G 2 KW 1 F 1,5m, G 4 KW 1 F 2m, G 4 W 1 F grau/grey; flat gasket G 30 E-2, order no. 733 415-002 crimping contacts RMC 280, order no. 731 991-021</p>

RECTANGULAR CONNECTORS G-SERIES


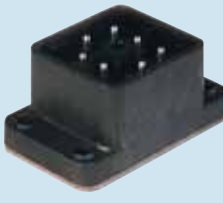
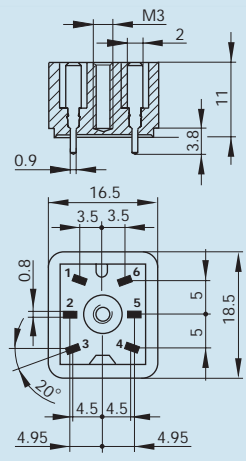
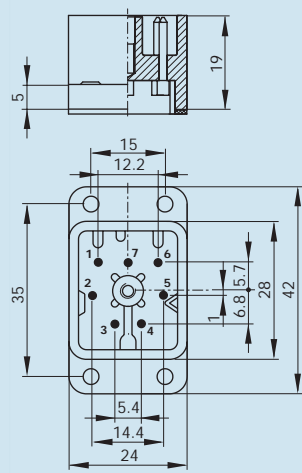
Rectangular connectors G-series > Cable plug

Type	GO 51 FAV M schwarz/black	GO 51 UM schwarz/black
Order No.	932 919-100	932 352-100
	 <p>Surface mounted connector with flange with solder contacts</p>	 <p>Surface mounted connector for printed circuit boards with solder contacts</p>
Product description		
Type of contact	blade contacts	blade contacts
Number of contacts	5 + PE	5 + PE
Cable material		
Cable length		
Cable gland		
Cable diameter		
Conductor size		
Cable type		
Standard	DIN VDE 0627 / IEC 61984	DIN VDE 0627 / IEC 61984
Housing Color	black	black
Drawing		
Technical data		
Pin dimensions	2.8 mm x 0.8 mm	2.8 mm x 0.8 mm
Wire stranding		
Rated voltage	AC/DC 250 V	AC/DC 250 V
Rated current	6 A	6 A
Contact resistance	≤ 4 mOhm	≤ 4 mOhm
Type of termination	solder	solder
Suitable cables		
Mounting	screws	
Material		
Contact surface material	Sn	Sn
Contact bearer material	PA	PA
Housing material	PA	PA
Environmental conditions		
Protection class (IEC 60529)	IP 65	IP 65
Pollution severity	3	3
Temperature range	-40 °C to +90 °C	-40 °C to +90 °C
Inflammability class		
Housing	94 V-1	94 V-1
Contact bearer	94 V-1	94 V-1
Approvals		
VDE		
Packing unit		
Packaging unit	100 pieces	100 pieces
Scope of delivery and accessories		
Scope of delivery	1 surface mounted connector, 1 flat gasket can be plugged into GO 51 WF schwarz/black	1 surface mounted connector can be plugged into GO 51 WF schwarz/black
Accessories to order separately		

GO 6 FAV M schwarz/black	GO 6 UM schwarz/black	GO 60 FAV M schwarz/black
<p>932 669-100</p>  <p>Surface mounted connector with flange with solder contacts</p>	<p>932 350-100</p>  <p>Surface mounted connector for printed circuit boards with solder contacts</p>	<p>932 918-100</p>  <p>Surface mounted connector with flange with solder contacts</p>
<p>blade contacts 6</p> <p>DIN VDE 0627 / IEC 61984 black</p>	<p>blade contacts 6</p> <p>DIN VDE 0627 / IEC 61984 black</p>	<p>blade contacts 6</p> <p>DIN VDE 0627 / IEC 61984 black</p>
		
<p>2.8 mm x 0.8 mm</p> <p>AC/DC 50 V 6 A ≤ 4 mOhm solder</p> <p>screws</p>	<p>2.8 mm x 0.8 mm</p> <p>AC/DC 50 V 6 A ≤ 4 mOhm solder</p>	<p>2.8 mm x 0.8 mm</p> <p>AC/DC 250 V 6 A ≤ 4 mOhm solder</p> <p>screws</p>
<p>Sn PA PA</p>	<p>Sn PA PA</p>	<p>Sn PA PA</p>
<p>IP 65 3 -40 °C to +90 °C</p>	<p>IP 65 3 -40 °C to +90 °C</p>	<p>IP 65 3 -40 °C to +90 °C</p>
<p>94 V-1 94 V-1</p>	<p>94 V-1 94 V-1</p>	<p>94 V-1 94 V-1</p>
<p>100 pieces</p>	<p>100 pieces</p>	<p>100 pieces</p>
<p>1 surface mounted connector, 1 flat gasket can be plugged into GO 6 WF schwarz/black</p>	<p>1 surface mounted connector can be plugged into GO 6 WF schwarz/black</p>	<p>1 surface mounted connector, 1 flat gasket can be plugged into GO 60 WF schwarz/black</p>

RECTANGULAR CONNECTORS G-SERIES

Rectangular connectors G-series > Cable plug

Type	GO 60 UM schwarz/black	GO 070 FA M schwarz/black
Order No.	932 344-100	932 470-100
	 <p>Surface mounted connector for printed circuit boards with solder contacts</p>	 <p>Surface mounted connector with flange with solder contacts</p>
Product description		
Type of contact	blade contacts	male
Number of contacts	6	7
Cable material		
Cable length		
Cable gland		
Cable diameter		
Conductor size		
Cable type		
Standard	DIN VDE 0627 / IEC 61984	DIN VDE 0627 / IEC 61984
Housing Color	black	black
Drawing		
Technical data		
Pin dimensions	2.8 mm x 0.8 mm	1,6 mm (diameter)
Wire stranding		
Rated voltage	AC/DC 250 V	AC/DC 50 V
Rated current	6 A	DC 6 A / AC 10 A
Contact resistance	≤ 4 mOhm	≤ 4 mOhm
Type of termination	solder	soldering
Suitable cables		
Mounting		screws
Material		
Contact surface material	Sn	Sn
Contact bearer material	PA	PA
Housing material	PA	PA
Environmental conditions		
Protection class (IEC 60529)	IP 65	IP 65
Pollution severity	3	3
Temperature range	-40 °C to +90 °C	-40 °C to +90 °C
Inflammability class		
Housing	94 V-1	94 V-1
Contact bearer	94 V-1	94 V-1
Approvals		
VDE		
Packing unit		
Packaging unit	100 pieces	100 pieces
Scope of delivery and accessories		
Scope of delivery	1 surface mounted connector	1 surface mounted connector, 1 flat gasket
Accessories to order separately	can be plugged into GO 60 WF schwarz/black	can be plugged into GO 070 WF schwarz/black

GO 610 FA M schwarz/black

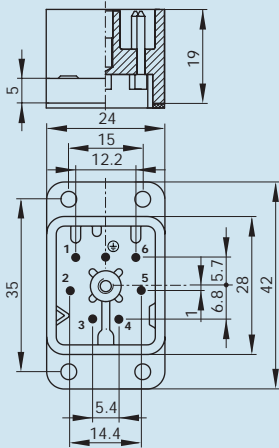
932 478-100



Surface mounted connector with flange with solder contacts

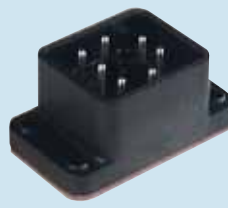
male
6 + PE

DIN VDE 0627 / IEC 61984
black



GO 700 FA M schwarz/black

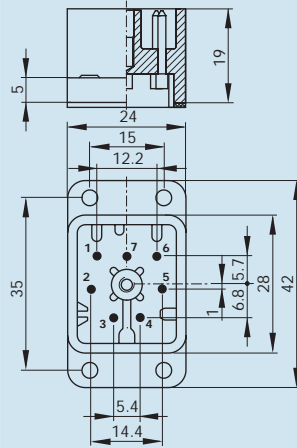
932 477-100



Surface mounted connector with flange with solder contacts

male
7

DIN VDE 0627 / IEC 61984
black



1,6 mm (diameter)

AC/DC 250 V
DC 6 A / AC 10 A
≤ 4 mOhm
solder

screws

Sn
PA
PA

IP 65
3
-40 °C to +90 °C

94 V-1
94 V-1

100 pieces

1 surface mounted connector,
1 flat gasket
can be plugged into GO 610 WF schwarz/black

1,6 mm (diameter)

AC/DC 250 V
DC 6 A / AC 10 A
≤ 4 mOhm
solder

screws

Sn
PA
PA

IP 65
3
-40 °C to +90 °C



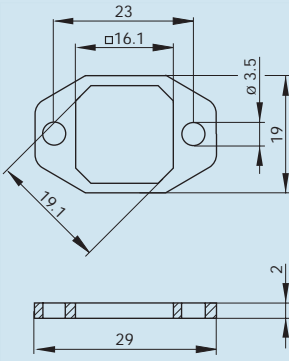
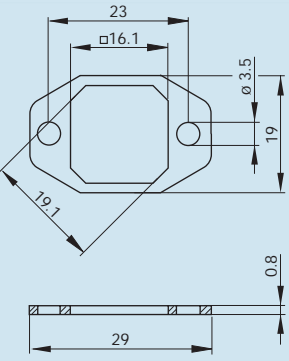
94 V-1
94 V-1

100 pieces

1 surface mounted connector,
1 flat gasket
can be plugged into GO 700 WF schwarz/black

RECTANGULAR CONNECTORS G-SERIES

Rectangular connectors G-series > Accessories G-series

Type	G 30 E-1 schwarz/black	G 30 E-2 schwarz/black
Order No.	732 135-002	733 415-002
	 <p>Flat gasket, for panel-mounted connectors with flange, material thickness: 2 mm</p>	 <p>Flat gasket, for panel-mounted connectors with flange, material thickness: 0,8 mm</p>
Product description Standard Housing Color	DIN VDE 0627 / IEC 61984 black	DIN VDE 0627 / IEC 61984 black
Drawing		
Material O-Ring	NBR	NBR
Environmental conditions Pollution severity Temperature range	3 -40°C to +90 °C	3 -40°C to +90 °C
Packing unit Packaging unit	50 pieces	50 pieces
Scope of delivery and accessories Scope of delivery Accessories to order separately	1 flat gasket can be plugged into G 30 E 3 F grau/grey	1 flat gasket can be plugged into G 4 E 1 M grau/grey, G 4 A 5 M schwarz/black, G 4 A 1 M grau/grey, G 30 E 3 M grau/grey