

Product data sheet

Automation technology - Data transmission



Product description **M8 Male cable connector, Contacts: 4, 4.0-5.5 mm, shieldable, screw clamp, IP67**

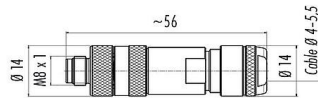
Area **M8-D**

Part no. **99 3369 100 04**

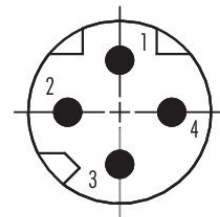
Illustration



Scale drawing



Contact arrangement (Plug-in side)



You can find the component part drawing and assembly instructions on the next page.

Technical data

General features

| | |
|---------------------------|---------------------------|
| Part no. | 99 3369 100 04 |
| Connector design | Male cable connector |
| Type standard | DIN EN 61076-2-114 |
| Version | Connector pin straight |
| Connector locking system | M8x1 |
| Termination | screw clamp |
| Degree of protection | IP67 |
| Cross-sectional area | 0.14-0.50 mm ² |
| Cable outlet | 4.0-5.5 mm |
| Temperature range from/to | -25 °C / 85 °C |
| Mechanical operation | > 100 Mating cycles |
| Weight (g) | 27.94 |
| Customs tariff number | 85369010 |
| Country of Origin | DE |

Electrical parameters

| | |
|---------------------------|---------------------|
| Rated voltage | 63 V DC |
| Rated impulse voltage | 1500 V |
| Rated current | 4.0 A |
| Insulation resistance | > 10 ⁸ Ω |
| Pollution degree | 3 |
| Overvoltage category | II |
| Insulating material group | II |
| EMC compliance | shieldable |

Product data sheet

Automation technology - Data transmission



| | |
|---------------------|--|
| Product description | M8 Male cable connector, Contacts: 4, 4.0-5.5 mm, shieldable, screw clamp, IP67 |
| Area | M8-D |
| Part no. | 99 3369 100 04 |

| | |
|-------------------|------------------|
| Shield connection | Iris type spring |
|-------------------|------------------|

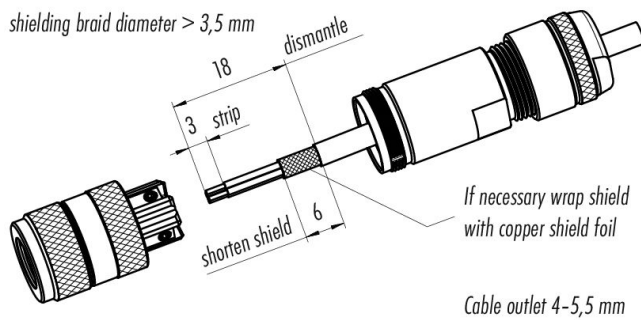
Material

| | |
|-----------------------|--------------------------------------|
| Housing material | CuZn (Brass nickel plated) |
| Contact body material | PA black |
| Contact material | CuZn (brass) |
| Contact plating | Au (gold) |
| Locking material | CuZn (brass) |
| REACH SVHC | CAS 7439-92-1 (Lead) |
| SCIP number | e2144c9f-fb96-402c-b750-592daca032f0 |

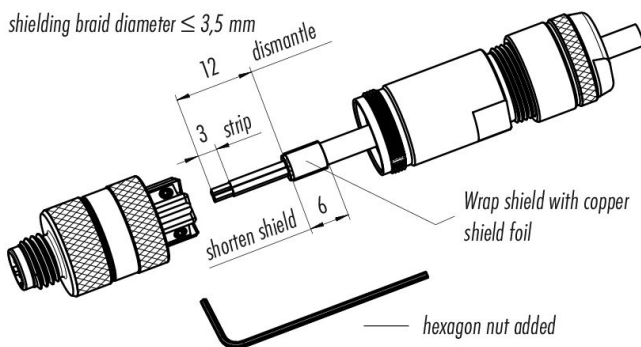
Classifications

| | |
|-------------|-------------|
| eCl@ss 11.1 | 27-44-01-02 |
| ETIM 9.0 | EC002635 |

Assembly instructions



1. Bead housing to cable.
2. Strip cable, shorten shielding braid.
3. Connect single wires.
4. Screw housing to either male or female contact carrier and tighten pressing screw.



1. Bead housing to cable.
2. Strip cable, shorten shielding braid, place it over cable coating, wrap it approx. 1 1/2 times with copper shield foil and shorten foil.
3. Connect single wires.
4. Screw housing to either male or female contact carrier and tighten pressing screw.

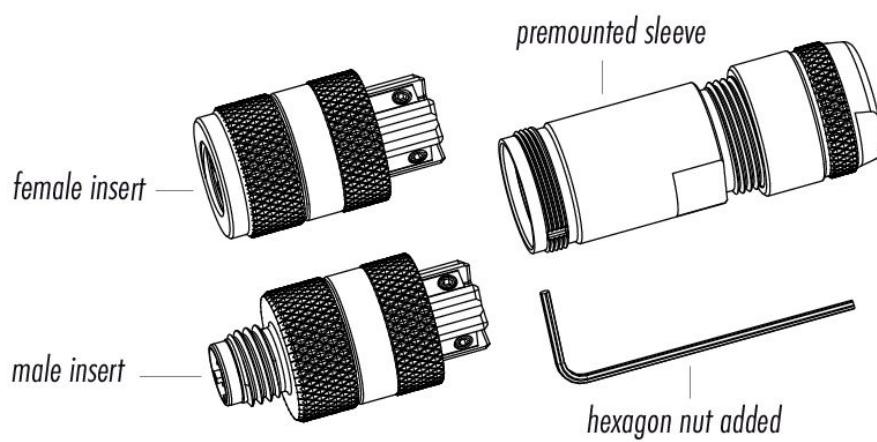
Product data sheet

Automation technology - Data transmission

Product description **M8 Male cable connector, Contacts: 4, 4.0-5.5 mm, shieldable, screw clamp, IP67**

Area **M8-D**
Part no. **99 3369 100 04**

Component part drawing



| | |
|---------------------|--|
| Product description | M8 Male cable connector, Contacts: 4, 4.0-5.5 mm, shieldable, screw clamp, IP67 |
| Area | M8-D |
| Part no. | 99 3369 100 04 |

Security notices

The connectors have been developed for applications in plant engineering, control and electrical equipment construction. The user is responsible for checking whether the connectors can also be used in other areas of application.

Plug connectors with enclosure protection IP67 and IP68 are not suitable for use under water. When used outdoors, the plug connectors must be protected separately against corrosion. For further information on the IP protection classes, please refer to the "Technical Information" download centre.

To lock the cable connector with the device connector, the threaded ring is tightened "hand-tight" (approx. 40 cNm).

Product data sheet

Automation technology - Data transmission



Product description **M8 Male cable connector, Contacts: 4, 5.0-8.0 mm, shieldable, screw clamp, IP67**

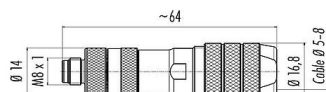
Area **M8-D**

Part no. **99 3369 600 04**

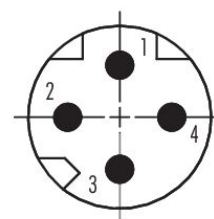
Illustration



Scale drawing



Contact arrangement (Plug-in side)



You can find the component part drawing and assembly instructions on the next page.

Technical data

General features

| | |
|---------------------------|---------------------------|
| Part no. | 99 3369 600 04 |
| Connector design | Male cable connector |
| Type standard | DIN EN 61076-2-114 |
| Version | Connector pin straight |
| Connector locking system | M8x1 |
| Termination | screw clamp |
| Degree of protection | IP67 |
| Cross-sectional area | 0.14-0.50 mm ² |
| Cable outlet | 5.0-8.0 mm |
| Temperature range from/to | -25 °C / 85 °C |
| Mechanical operation | > 100 Mating cycles |
| Weight (g) | 34.45 |
| Customs tariff number | 85444290 |
| Country of Origin | DE |

Electrical parameters

| | |
|---------------------------|---------------------|
| Rated voltage | 63 V DC |
| Rated impulse voltage | 1500 V |
| Rated current | 4.0 A |
| Insulation resistance | > 10 ⁸ Ω |
| Pollution degree | 3 |
| Overvoltage category | II |
| Insulating material group | II |
| EMC compliance | shieldable |

Product data sheet

Automation technology - Data transmission



| | |
|---------------------|--|
| Product description | M8 Male cable connector, Contacts: 4, 5.0-8.0 mm, shieldable, screw clamp, IP67 |
| Area | M8-D |
| Part no. | 99 3369 600 04 |

| | |
|-------------------|------------------|
| Shield connection | Iris type spring |
|-------------------|------------------|

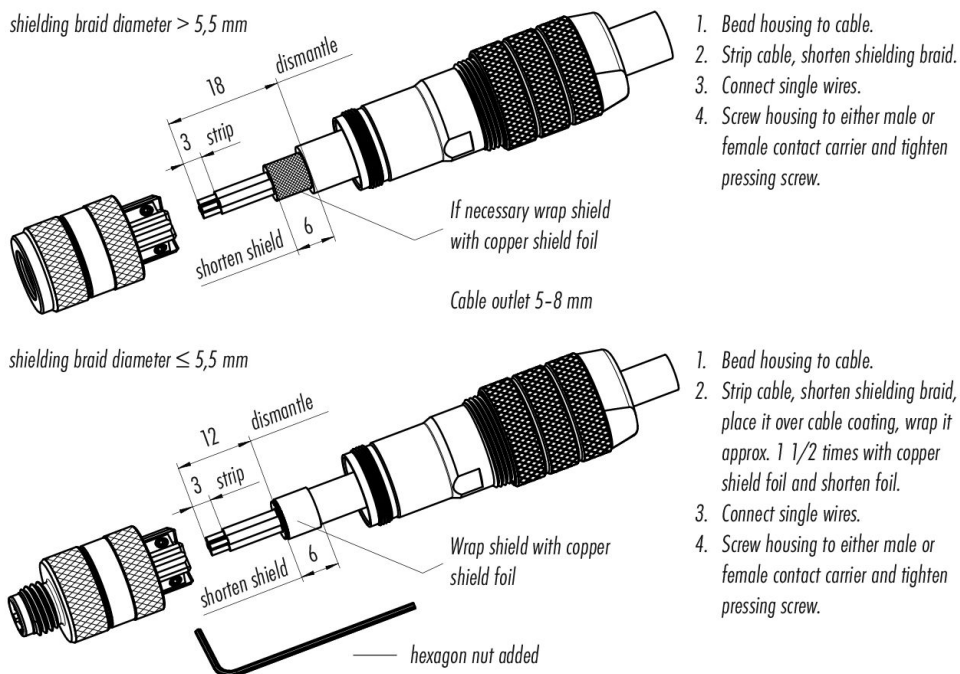
Material

| | |
|-----------------------|--------------------------------------|
| Housing material | CuZn (Brass nickel plated) |
| Contact body material | PA black |
| Contact material | CuZn (brass) |
| Contact plating | Au (gold) |
| Locking material | CuZn (brass) |
| REACH SVHC | CAS 7439-92-1 (Lead) |
| SCIP number | d39684a9-073d-4e37-9636-4f895e983dac |

Classifications

| | |
|-------------|-------------|
| eCl@ss 11.1 | 27-44-01-02 |
| ETIM 9.0 | EC002635 |

Assembly instructions

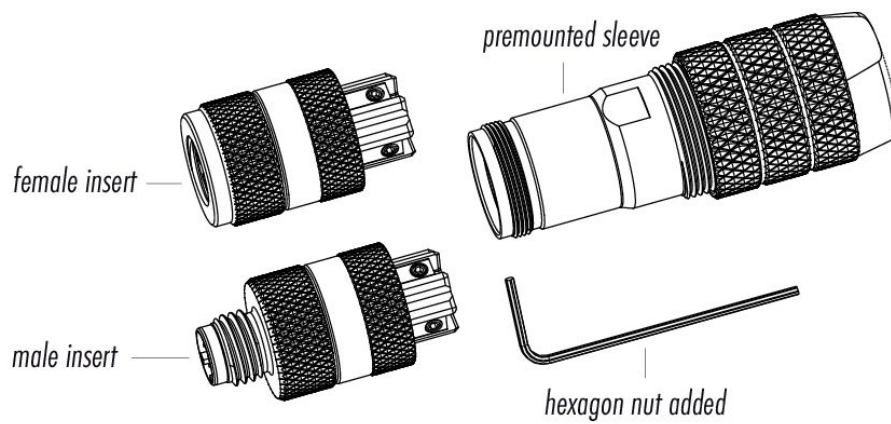


Product data sheet

Automation technology - Data transmission

Product description **M8 Male cable connector, Contacts: 4, 5.0-8.0 mm, shieldable, screw clamp, IP67**
Area **M8-D**
Part no. **99 3369 600 04**

Component part drawing



| | |
|---------------------|--|
| Product description | M8 Male cable connector, Contacts: 4, 5.0-8.0 mm, shieldable, screw clamp, IP67 |
| Area | M8-D |
| Part no. | 99 3369 600 04 |

Security notices

The connectors have been developed for applications in plant engineering, control and electrical equipment construction. The user is responsible for checking whether the connectors can also be used in other areas of application.

Plug connectors with enclosure protection IP67 and IP68 are not suitable for use under water. When used outdoors, the plug connectors must be protected separately against corrosion. For further information on the IP protection classes, please refer to the "Technical Information" download centre.

To lock the cable connector with the device connector, the threaded ring is tightened "hand-tight" (approx. 40 cNm).

Product data sheet

Automation technology - Data transmission

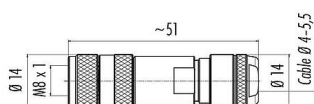


| | |
|---------------------|--|
| Product description | M8 Female cable connector, Contacts: 4, 4.0-5.5 mm, shieldable, screw clamp, IP67, M8x1.0 |
| Area | M8-D |
| Part no. | 99 3368 100 04 |

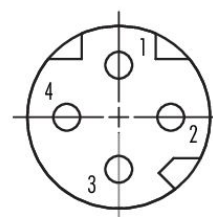
Illustration



Scale drawing



Contact arrangement (Plug-in side)



You can find the component part drawing and assembly instructions on the next page.

Technical data

General features

| | |
|---------------------------|---------------------------|
| Part no. | 99 3368 100 04 |
| Connector design | Female cable connector |
| Type standard | DIN EN 61076-2-114 |
| Version | Connector socket straight |
| Connector locking system | screw |
| Termination | screw clamp |
| Degree of protection | IP67 |
| Cross-sectional area | 0.14-0.50 mm ² |
| Cable outlet | 4.0-5.5 mm |
| Temperature range from/to | -25 °C / 85 °C |
| Mechanical operation | > 100 Mating cycles |
| Weight (g) | 28.22 |
| Customs tariff number | 85369010 |
| Country of Origin | DE |

Electrical parameters

| | |
|---------------------------|---------------------|
| Rated voltage | 63 V |
| Rated impulse voltage | 1500 V |
| Rated current | 4.0 A |
| Insulation resistance | ≥ 10 ⁸ Ω |
| Pollution degree | 3 |
| Overvoltage category | II |
| Insulating material group | II |
| EMC compliance | shieldable |

Product data sheet

Automation technology - Data transmission



| | |
|---------------------|--|
| Product description | M8 Female cable connector, Contacts: 4, 4.0-5.5 mm, shieldable, screw clamp, IP67, M8x1.0 |
| Area | M8-D |
| Part no. | 99 3368 100 04 |

| | |
|-------------------|------------------|
| Shield connection | Iris type spring |
|-------------------|------------------|

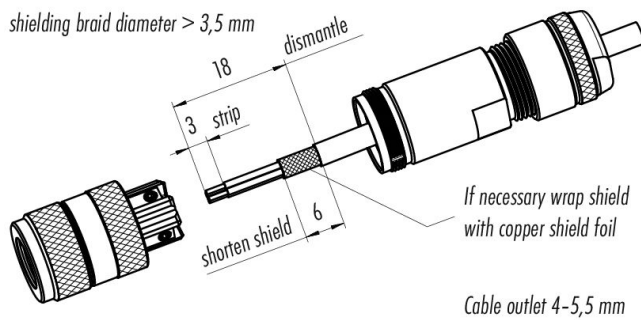
Material

| | |
|-----------------------|--------------------------------------|
| Housing material | PA |
| Contact body material | PA |
| Contact material | CuZn (brass) |
| Contact plating | Au (gold) |
| Locking material | CuZn (brass) |
| REACH SVHC | CAS 7439-92-1 (Lead) |
| SCIP number | 31b9c48e-0a85-49c1-8bbc-183449406af5 |

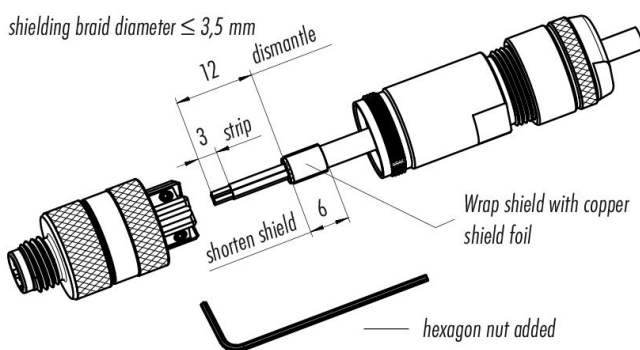
Classifications

| | |
|-------------|-------------|
| eCl@ss 11.1 | 27-44-01-02 |
| ETIM 9.0 | EC002635 |

Assembly instructions



1. Bead housing to cable.
2. Strip cable, shorten shielding braid.
3. Connect single wires.
4. Screw housing to either male or female contact carrier and tighten pressing screw.

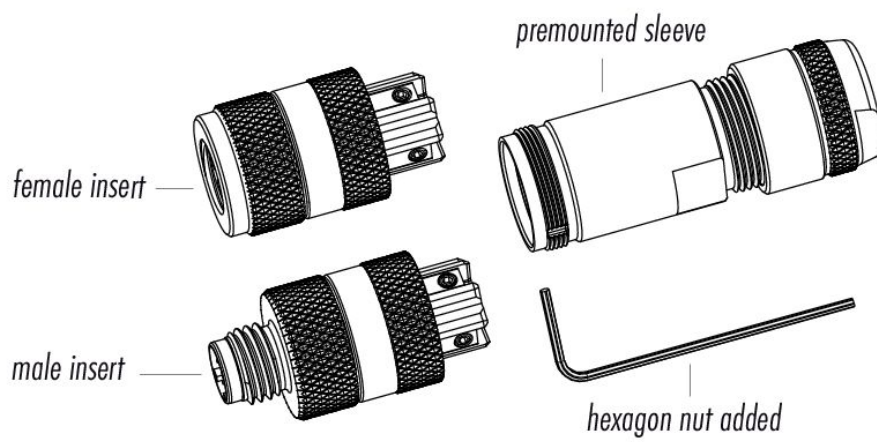


1. Bead housing to cable.
2. Strip cable, shorten shielding braid, place it over cable coating, wrap it approx. 1 1/2 times with copper shield foil and shorten foil.
3. Connect single wires.
4. Screw housing to either male or female contact carrier and tighten pressing screw.

Product data sheet
Automation technology - Data transmission

| | |
|---------------------|--|
| Product description | M8 Female cable connector, Contacts: 4, 4.0-5.5 mm, shieldable, screw clamp, IP67, M8x1.0 |
| Area | M8-D |
| Part no. | 99 3368 100 04 |

Component part drawing



| | |
|---------------------|--|
| Product description | M8 Female cable connector, Contacts: 4, 4.0-5.5 mm, shieldable, screw clamp, IP67, M8x1.0 |
| Area | M8-D |
| Part no. | 99 3368 100 04 |

Security notices

The connectors have been developed for applications in plant engineering, control and electrical equipment construction. The user is responsible for checking whether the connectors can also be used in other areas of application.

Plug connectors with enclosure protection IP67 and IP68 are not suitable for use under water. When used outdoors, the plug connectors must be protected separately against corrosion. For further information on the IP protection classes, please refer to the "Technical Information" download centre.

To lock the cable connector with the device connector, the threaded ring is tightened "hand-tight" (approx. 40 cNm).

Product data sheet

Automation technology - Data transmission



Product description **M8 Female cable connector, Contacts: 4, 5.0-8.0 mm, shieldable, screw clamp, IP67, M8x1.0**

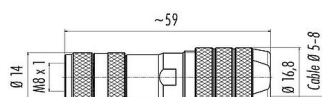
Area **M8-D**

Part no. **99 3368 600 04**

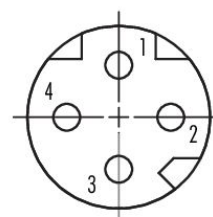
Illustration



Scale drawing



Contact arrangement (Plug-in side)



You can find the component part drawing and assembly instructions on the next page.

Technical data

General features

| | |
|---------------------------|---------------------------|
| Part no. | 99 3368 600 04 |
| Connector design | Female cable connector |
| Type standard | DIN EN 61076-2-114 |
| Version | Connector socket straight |
| Connector locking system | screw |
| Termination | screw clamp |
| Degree of protection | IP67 |
| Cross-sectional area | 0.14-0.50 mm ² |
| Cable outlet | 5.0-8.0 mm |
| Temperature range from/to | -25 °C / 85 °C |
| Mechanical operation | > 100 Mating cycles |
| Weight (g) | 34.79 |
| Customs tariff number | 85444290 |
| Country of Origin | DE |

Electrical parameters

| | |
|---------------------------|--------------------|
| Rated voltage | 63 V |
| Rated impulse voltage | 1500 V |
| Rated current | 4.0 A |
| Insulation resistance | $\geq 10^8 \Omega$ |
| Pollution degree | 3 |
| Overvoltage category | II |
| Insulating material group | II |
| EMC compliance | shieldable |

Product data sheet

Automation technology - Data transmission



| | |
|---------------------|--|
| Product description | M8 Female cable connector, Contacts: 4, 5.0-8.0 mm, shieldable, screw clamp, IP67, M8x1.0 |
| Area | M8-D |
| Part no. | 99 3368 600 04 |

| | |
|-------------------|------------------|
| Shield connection | Iris type spring |
|-------------------|------------------|

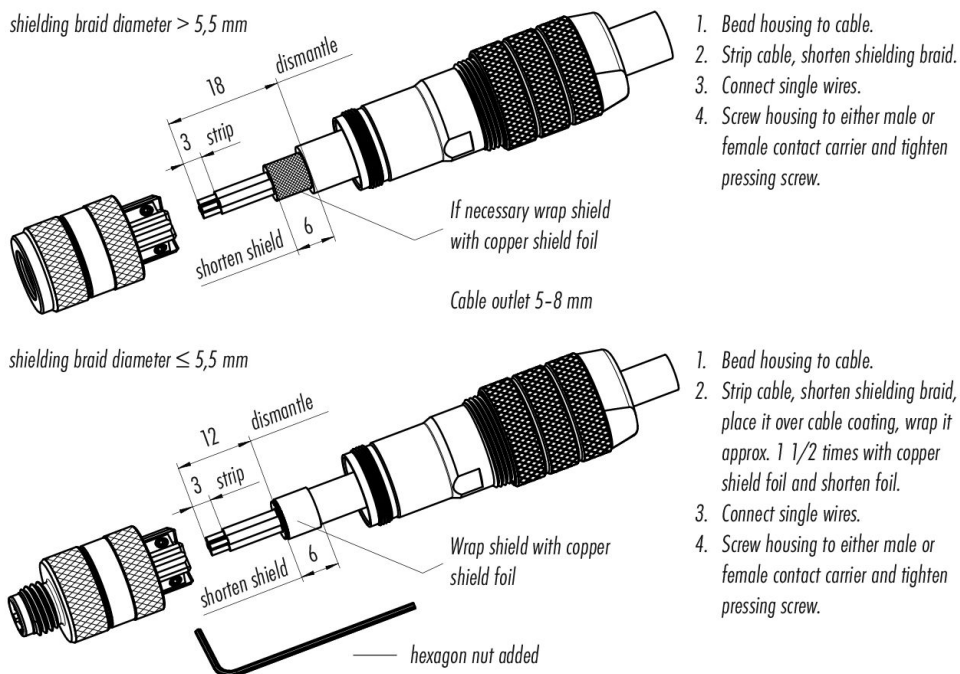
Material

| | |
|-----------------------|--------------------------------------|
| Housing material | PA |
| Contact body material | PA |
| Contact material | CuZn (brass) |
| Contact plating | Au (gold) |
| Locking material | CuZn (brass) |
| REACH SVHC | CAS 7439-92-1 (Lead) |
| SCIP number | 83ec6250-c343-47a6-90c1-750075a0f511 |

Classifications

| | |
|-------------|-------------|
| eCl@ss 11.1 | 27-44-01-02 |
| ETIM 9.0 | EC002635 |

Assembly instructions

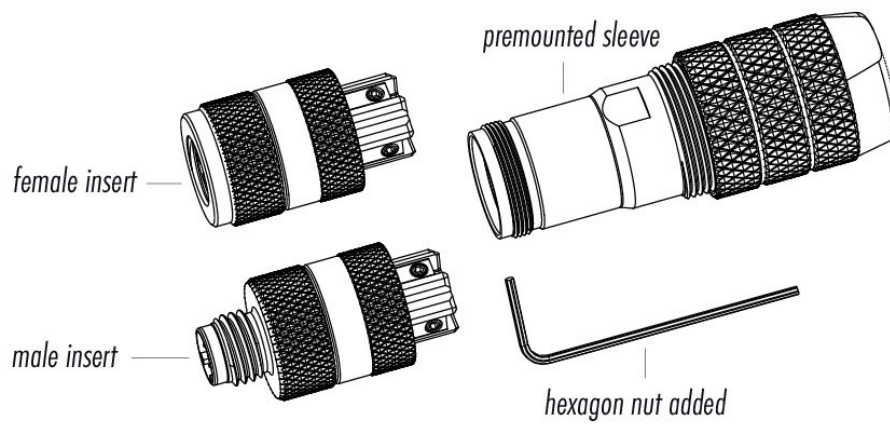


Product data sheet

Automation technology - Data transmission

| | |
|---------------------|--|
| Product description | M8 Female cable connector, Contacts: 4, 5.0-8.0 mm, shieldable, screw clamp, IP67, M8x1.0 |
| Area | M8-D |
| Part no. | 99 3368 600 04 |

Component part drawing



| | |
|---------------------|--|
| Product description | M8 Female cable connector, Contacts: 4, 5.0-8.0 mm, shieldable, screw clamp, IP67, M8x1.0 |
| Area | M8-D |
| Part no. | 99 3368 600 04 |

Security notices

The connectors have been developed for applications in plant engineering, control and electrical equipment construction. The user is responsible for checking whether the connectors can also be used in other areas of application.

Plug connectors with enclosure protection IP67 and IP68 are not suitable for use under water. When used outdoors, the plug connectors must be protected separately against corrosion. For further information on the IP protection classes, please refer to the "Technical Information" download centre.

To lock the cable connector with the device connector, the threaded ring is tightened "hand-tight" (approx. 40 cNm).

Product data sheet

Automation technology - Data transmission

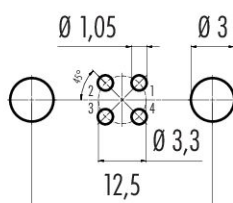


Product description **M8 Male panel mount connector, Contacts: 4, shieldable, THT, IP67**
 Area **M8-D**
 Part no. **86 6321 1120 00404**

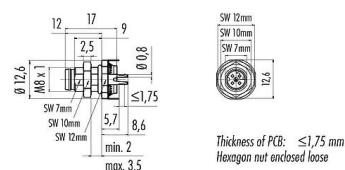
Illustration



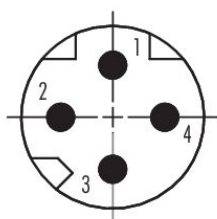
Conductor layout



Scale drawing



Contact arrangement (Plug-in side)



You can find the assembly instructions on the next page.

Technical data

General features

| | |
|--------------------------|----------------------------|
| Part no. | 86 6321 1120 00404 |
| Connector design | Male panel mount connector |
| Type standard | DIN EN 61076-2-114 |
| Version | Connector pin straight |
| Connector locking system | screw |
| Termination | THT |

Product data sheet

Automation technology - Data transmission



Product description **M8 Male panel mount connector, Contacts: 4, shieldable, THT, IP67**

Area **M8-D**

Part no. **86 6321 1120 00404**

Degree of protection IP67

Temperature range from/to -40 °C / 85 °C

Mechanical operation > 100 Mating cycles

Weight (g) 4.43

Customs tariff number 85369010

Country of Origin DE

Electrical parameters

Rated voltage 63 V DC

Rated impulse voltage 1500 V

Rated current 4.0 A

Insulation resistance > 10⁸ Ω

Pollution degree 3

Insulating material group III

EMC compliance shieldable

Shield connection Shielding plate

Material

Housing material Zinc die-cast nickel-plated

Contact body material PA yellow/green

Contact material CuZn (brass) / CuSn (bronze)

Contact plating Au (gold)

REACH SVHC CAS 7439-92-1 (Lead)

SCIP number 92853bd5-c5c8-4a57-bcd9-a88a03c4d532

Classifications

eCl@ss 11.1 27-44-01-09

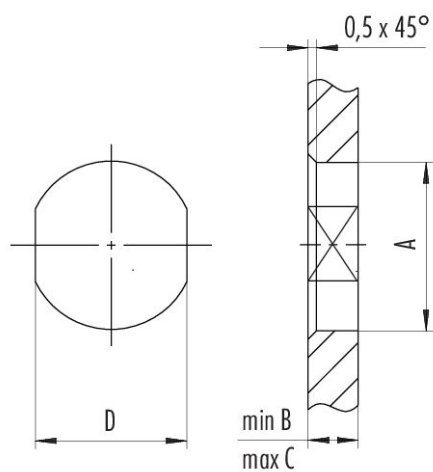
ETIM 9.0 EC003569

Product description **M8 Male panel mount connector, Contacts: 4, shieldable, THT, IP67**
Area **M8-D**
Part no. **86 6321 1120 00404**

Assembly instructions / Panel cut-out

1st Installation proposal

With flats as anti-rotation device



| Thread E | A | B | C | D |
|------------|------|-----|-----|-----|
| M8 x 0,5 | 8,1 | 2,5 | 3,5 | 7,1 |
| M8 x 1 | 8,1 | 2,5 | 3,5 | 7,1 |
| M10 x 0,75 | 10,1 | 2,5 | 5,0 | 9,1 |

Tightening torque

M8 x 0,5 0,8 Nm
M8 x 1/M10 x 0,75 1,0 Nm

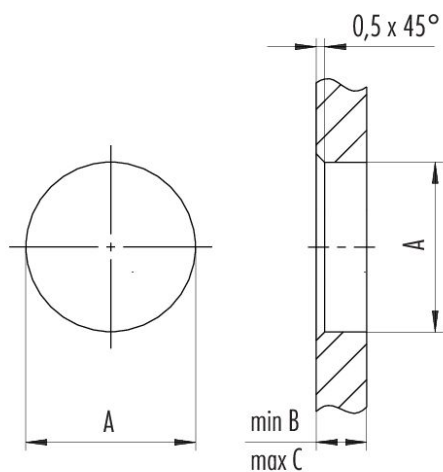
Product description **M8 Male panel mount connector, Contacts: 4, shieldable, THT, IP67**

Area **M8-D**
Part no. **86 6321 1120 00404**

Assembly instructions / Panel cut-out

2nd Installation proposal

With bore hole



| Thread E | A | B | C | D |
|------------|------|-----|-----|-----|
| M8 x 0,5 | 8,1 | 2,5 | 3,5 | 7,1 |
| M8 x 1 | 8,1 | 2,5 | 3,5 | 7,1 |
| M10 x 0,75 | 10,1 | 2,5 | 5,0 | 9,1 |

Tightening torque

| | |
|-------------------|--------|
| M8 x 0,5 | 0,8 Nm |
| M8 x 1/M10 x 0,75 | 1,0 Nm |

| | |
|---------------------|--|
| Product description | M8 Male panel mount connector, Contacts: 4, shieldable, THT, IP67 |
| Area | M8-D |
| Part no. | 86 6321 1120 00404 |

Security notices

The connectors have been developed for applications in plant engineering, control and electrical equipment construction. The user is responsible for checking whether the connectors can also be used in other areas of application.

Plug connectors with enclosure protection IP67 and IP68 are not suitable for use under water. When used outdoors, the plug connectors must be protected separately against corrosion. For further information on the IP protection classes, please refer to the "Technical Information" download centre.

To lock the cable connector with the device connector, the threaded ring is tightened "hand-tight" (approx. 40 cNm).

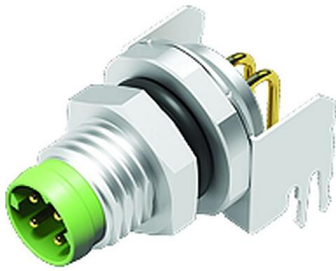
Product data sheet

Automation technology - Data transmission

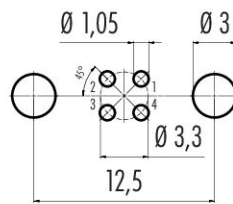


Product description **M8 Male angled panel mount connector, Contacts: 4, shieldable, THT, IP67**
 Area **M8-D**
 Part no. **86 6321 1121 00404**

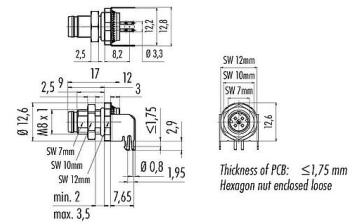
Illustration



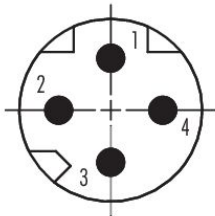
Conductor layout



Scale drawing



Contact arrangement (Plug-in side)



You can find the assembly instructions on the next page.

Technical data

General features

| | |
|--------------------------|-----------------------------------|
| Part no. | 86 6321 1121 00404 |
| Connector design | Male angled panel mount connector |
| Type standard | DIN EN 61076-2-114 |
| Version | Connector pin angled |
| Connector locking system | screw |
| Termination | THT |

Product data sheet

Automation technology - Data transmission



| | |
|---------------------|---|
| Product description | M8 Male angled panel mount connector, Contacts: 4, shieldable, THT, IP67 |
| Area | M8-D |
| Part no. | 86 6321 1121 00404 |

| | |
|---------------------------|---------------------|
| Degree of protection | IP67 |
| Temperature range from/to | -40 °C / 85 °C |
| Mechanical operation | > 100 Mating cycles |
| Weight (g) | 4.84 |
| Customs tariff number | 85369010 |
| Country of Origin | DE |

Electrical parameters

| | |
|---------------------------|---------------------|
| Rated voltage | 63 V DC |
| Rated impulse voltage | 1500 V |
| Rated current | 4.0 A |
| Insulation resistance | > 10 ⁸ Ω |
| Pollution degree | 3 |
| Insulating material group | III |
| EMC compliance | shieldable |
| Shield connection | Shielding plate |

Material

| | |
|-----------------------|--------------------------------------|
| Housing material | Zinc die-cast nickel-plated |
| Contact body material | PA yellow/green |
| Contact material | CuZn (brass) / CuSn (bronze) |
| Contact plating | Au (gold) |
| REACH SVHC | CAS 7439-92-1 (Lead) |
| SCIP number | d1070752-a819-432e-a5e2-f9e86b2ad9f5 |

Classifications

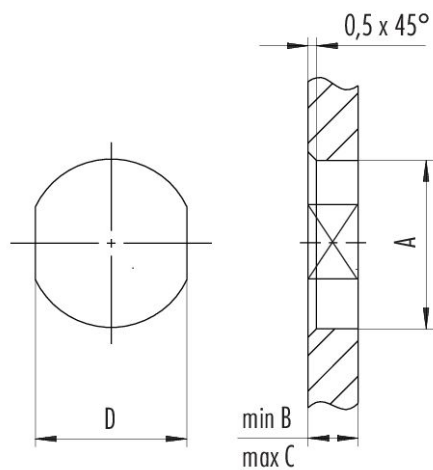
| | |
|-------------|-------------|
| eCl@ss 11.1 | 27-44-01-09 |
| ETIM 9.0 | EC003569 |

Product description **M8 Male angled panel mount connector, Contacts: 4, shieldable, THT, IP67**
Area **M8-D**
Part no. **86 6321 1121 00404**

Assembly instructions / Panel cut-out

1st Installation proposal

With flats as anti-rotation device



| Thread E | A | B | C | D |
|------------|------|-----|-----|-----|
| M8 x 0,5 | 8,1 | 2,5 | 3,5 | 7,1 |
| M8 x 1 | 8,1 | 2,5 | 3,5 | 7,1 |
| M10 x 0,75 | 10,1 | 2,5 | 5,0 | 9,1 |

Tightening torque

M8 x 0,5 0,8 Nm
M8 x 1/M10 x 0,75 1,0 Nm

| | |
|---------------------|---|
| Product description | M8 Male angled panel mount connector, Contacts: 4, shieldable, THT, IP67 |
| Area | M8-D |
| Part no. | 86 6321 1121 00404 |

Security notices

The connectors have been developed for applications in plant engineering, control and electrical equipment construction. The user is responsible for checking whether the connectors can also be used in other areas of application.

Plug connectors with enclosure protection IP67 and IP68 are not suitable for use under water. When used outdoors, the plug connectors must be protected separately against corrosion. For further information on the IP protection classes, please refer to the "Technical Information" download centre.

To lock the cable connector with the device connector, the threaded ring is tightened "hand-tight" (approx. 40 cNm).

Product data sheet

Automation technology - Data transmission

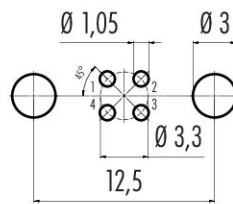


Product description **M8 Female panel mount connector, Contacts: 4, shieldable, THT, IP67**
 Area **M8-D**
 Part no. **86 6620 1120 00404**

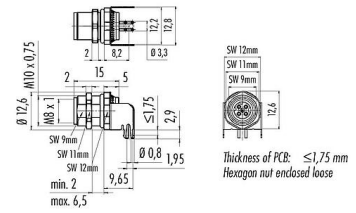
Illustration



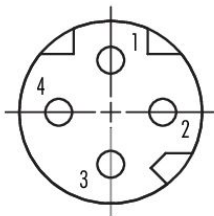
Conductor layout



Scale drawing



Contact arrangement (Plug-in side)



You can find the assembly instructions on the next page.

Technical data

General features

| | |
|--------------------------|------------------------------|
| Part no. | 86 6620 1120 00404 |
| Connector design | Female panel mount connector |
| Type standard | DIN EN 61076-2-114 |
| Version | Connector socket straight |
| Connector locking system | screw |
| Termination | THT |

Product data sheet

Automation technology - Data transmission



| | |
|---------------------|--|
| Product description | M8 Female panel mount connector, Contacts: 4, shieldable, THT, IP67 |
| Area | M8-D |
| Part no. | 86 6620 1120 00404 |

| | |
|---------------------------|---------------------|
| Degree of protection | IP67 |
| Temperature range from/to | -40 °C / 85 °C |
| Mechanical operation | > 100 Mating cycles |
| Weight (g) | 5.14 |
| Customs tariff number | 85369010 |
| Country of Origin | DE |

Electrical parameters

| | |
|---------------------------|---------------------|
| Rated voltage | 63 V DC |
| Rated impulse voltage | 1500 V |
| Rated current | 4.0 A |
| Insulation resistance | > 10 ⁸ Ω |
| Pollution degree | 3 |
| Insulating material group | III |
| EMC compliance | shieldable |
| Shield connection | Shielding plate |

Material

| | |
|-----------------------|--------------------------------------|
| Housing material | Zinc die-cast nickel-plated |
| Contact body material | PA yellow/green |
| Contact material | CuZn (brass) / CuSn (bronze) |
| Contact plating | Au (gold) |
| REACH SVHC | CAS 7439-92-1 (Lead) |
| SCIP number | 5c2c0a60-fe59-46aa-9335-6941b649fc74 |

Classifications

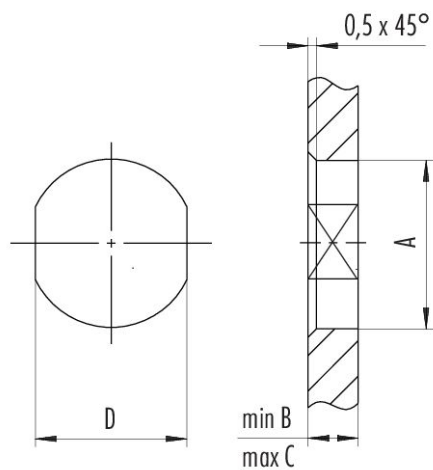
| | |
|-------------|-------------|
| eCl@ss 11.1 | 27-44-01-09 |
| ETIM 9.0 | EC003569 |

Product description **M8 Female panel mount connector, Contacts: 4, shieldable, THT, IP67**
Area **M8-D**
Part no. **86 6620 1120 00404**

Assembly instructions / Panel cut-out

1st Installation proposal

With flats as anti-rotation device



| Thread E | A | B | C | D |
|------------|------|-----|-----|-----|
| M8 x 0,5 | 8,1 | 2,5 | 3,5 | 7,1 |
| M8 x 1 | 8,1 | 2,5 | 3,5 | 7,1 |
| M10 x 0,75 | 10,1 | 2,5 | 5,0 | 9,1 |

Tightening torque

M8 x 0,5 0,8 Nm
M8 x 1/M10 x 0,75 1,0 Nm

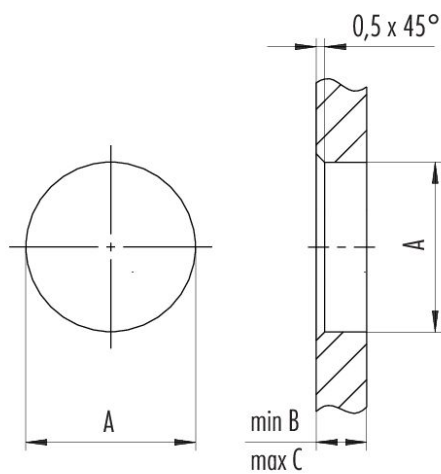
Product description **M8 Female panel mount connector, Contacts: 4, shieldable, THT, IP67**

Area **M8-D**
Part no. **86 6620 1120 00404**

Assembly instructions / Panel cut-out

2nd Installation proposal

With bore hole



| Thread E | A | B | C | D |
|------------|------|-----|-----|-----|
| M8 x 0,5 | 8,1 | 2,5 | 3,5 | 7,1 |
| M8 x 1 | 8,1 | 2,5 | 3,5 | 7,1 |
| M10 x 0,75 | 10,1 | 2,5 | 5,0 | 9,1 |

Tightening torque

| | |
|-------------------|--------|
| M8 x 0,5 | 0,8 Nm |
| M8 x 1/M10 x 0,75 | 1,0 Nm |

| | |
|---------------------|--|
| Product description | M8 Female panel mount connector, Contacts: 4, shieldable, THT, IP67 |
| Area | M8-D |
| Part no. | 86 6620 1120 00404 |

Security notices

The connectors have been developed for applications in plant engineering, control and electrical equipment construction. The user is responsible for checking whether the connectors can also be used in other areas of application.

Plug connectors with enclosure protection IP67 and IP68 are not suitable for use under water. When used outdoors, the plug connectors must be protected separately against corrosion. For further information on the IP protection classes, please refer to the "Technical Information" download centre.

To lock the cable connector with the device connector, the threaded ring is tightened "hand-tight" (approx. 40 cNm).

Product data sheet

Automation technology - Data transmission

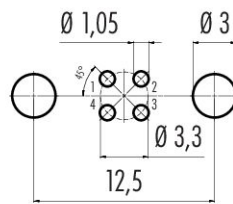


Product description **M8 Female angled panel mount connector, Contacts: 4, shieldable, THT, IP67**
 Area **M8-D**
 Part no. **86 6620 1121 00404**

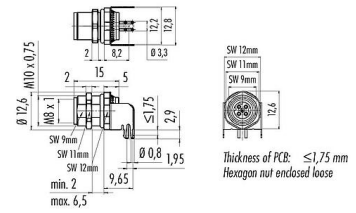
Illustration



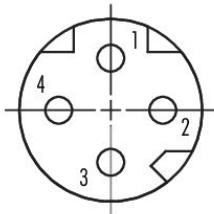
Conductor layout



Scale drawing



Contact arrangement (Plug-in side)



You can find the assembly instructions on the next page.

Technical data

General features

| | |
|--------------------------|-------------------------------------|
| Part no. | 86 6620 1121 00404 |
| Connector design | Female angled panel mount connector |
| Type standard | DIN EN 61076-2-114 |
| Version | Connector socket angled |
| Connector locking system | screw |
| Termination | THT |

Product data sheet

Automation technology - Data transmission



| | |
|---------------------|---|
| Product description | M8 Female angled panel mount connector, Contacts: 4, shieldable, THT, IP67 |
| Area | M8-D |
| Part no. | 86 6620 1121 00404 |

| | |
|---------------------------|---------------------|
| Degree of protection | IP67 |
| Temperature range from/to | -40 °C / 85 °C |
| Mechanical operation | > 100 Mating cycles |
| Weight (g) | 5.50 |
| Customs tariff number | 85369010 |
| Country of Origin | DE |

Electrical parameters

| | |
|---------------------------|---------------------|
| Rated voltage | 63 V DC |
| Rated impulse voltage | 1500 V |
| Rated current | 4.0 A |
| Insulation resistance | > 10 ⁸ Ω |
| Pollution degree | 3 |
| Insulating material group | III |
| EMC compliance | shieldable |
| Shield connection | Shielding plate |

Material

| | |
|-----------------------|--------------------------------------|
| Housing material | Zinc die-cast nickel-plated |
| Contact body material | PA yellow/green |
| Contact material | CuZn (brass) / CuSn (bronze) |
| Contact plating | Au (gold) |
| REACH SVHC | CAS 7439-92-1 (Lead) |
| SCIP number | 72452042-45bb-4044-a9ab-ff976852971a |

Classifications

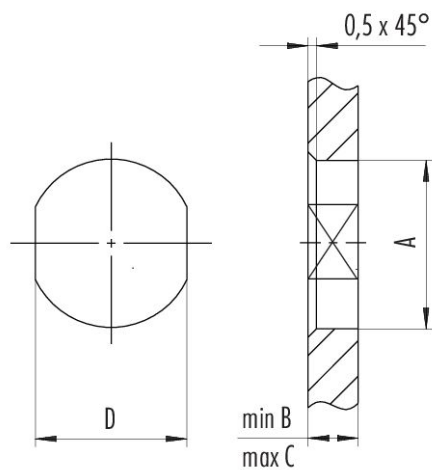
| | |
|-------------|-------------|
| eCl@ss 11.1 | 27-44-01-09 |
| ETIM 9.0 | EC003569 |

Product description **M8 Female angled panel mount connector, Contacts: 4, shieldable, THT, IP67**
Area **M8-D**
Part no. **86 6620 1121 00404**

Assembly instructions / Panel cut-out

1st Installation proposal

With flats as anti-rotation device



| Thread E | A | B | C | D |
|------------|------|-----|-----|-----|
| M8 x 0,5 | 8,1 | 2,5 | 3,5 | 7,1 |
| M8 x 1 | 8,1 | 2,5 | 3,5 | 7,1 |
| M10 x 0,75 | 10,1 | 2,5 | 5,0 | 9,1 |

Tightening torque

M8 x 0,5 0,8 Nm
M8 x 1/M10 x 0,75 1,0 Nm

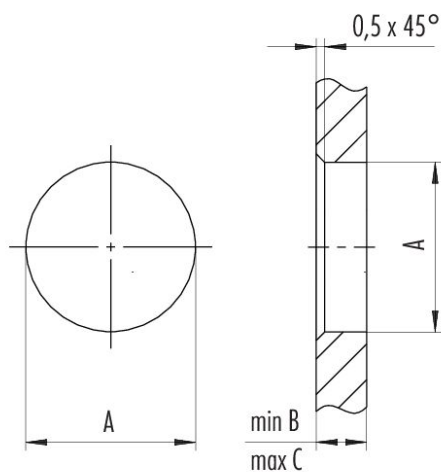
Product description **M8 Female angled panel mount connector, Contacts: 4, shieldable, THT, IP67**

Area **M8-D**
Part no. **86 6620 1121 00404**

Assembly instructions / Panel cut-out

2nd Installation proposal

With bore hole



| Thread E | A | B | C | D |
|------------|------|-----|-----|-----|
| M8 x 0,5 | 8,1 | 2,5 | 3,5 | 7,1 |
| M8 x 1 | 8,1 | 2,5 | 3,5 | 7,1 |
| M10 x 0,75 | 10,1 | 2,5 | 5,0 | 9,1 |

Tightening torque

M8 x 0,5 0,8 Nm
M8 x 1/M10 x 0,75 1,0 Nm

| | |
|---------------------|---|
| Product description | M8 Female angled panel mount connector, Contacts: 4, shieldable, THT, IP67 |
| Area | M8-D |
| Part no. | 86 6620 1121 00404 |

Security notices

The connectors have been developed for applications in plant engineering, control and electrical equipment construction. The user is responsible for checking whether the connectors can also be used in other areas of application.

Plug connectors with enclosure protection IP67 and IP68 are not suitable for use under water. When used outdoors, the plug connectors must be protected separately against corrosion. For further information on the IP protection classes, please refer to the "Technical Information" download centre.

To lock the cable connector with the device connector, the threaded ring is tightened "hand-tight" (approx. 40 cNm).

Product data sheet

Automation technology - Data transmission

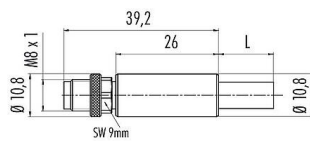


| | |
|---------------------|---|
| Product description | M8 Male cable connector, Contacts: 4, shielded, moulded on the cable, IP67, Profinet/Ethernet CAT5e, PUR, green, 4 x AWG 22, 2 m |
| Area | M8-D |
| Part no. | 77 5429 0000 50704-0200 |

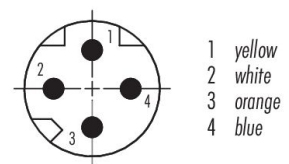
Illustration



Scale drawing



Contact arrangement (Plug-in side)



Technical data

General features

| | |
|---------------------------|---|
| Part no. | 77 5429 0000 50704-0200 |
| Connector design | Male cable connector |
| Type standard | DIN EN 61076-2-114 |
| Cable length | 2 m (Standard 2 m and 5 m. Other lengths are available on request.) |
| Version | Connector pin straight |
| Connector locking system | M8x1 |
| Termination | moulded on the cable |
| Degree of protection | IP67 |
| Cross-sectional area | 0.34 mm ² / AWG 22 |
| Temperature range from/to | -25 °C / 85 °C |
| Mechanical operation | > 100 Mating cycles |
| Weight (g) | 130.00 |
| Customs tariff number | 85444290 |
| Country of Origin | DE |

Electrical parameters

| | |
|---------------------------|-----------------------------|
| Rated voltage | 63 V |
| Rated impulse voltage | 1500 V |
| Rated current | 4.0 A |
| Insulation resistance | > 10 ⁸ Ω |
| Pollution degree | 3 |
| Overvoltage category | II |
| Insulating material group | I |
| EMC compliance | shielded |
| Shield connection | Shield on the threaded ring |

Material

| | |
|-----------------------|-----------|
| Contact body material | PUR black |
|-----------------------|-----------|

Product data sheet

Automation technology - Data transmission



| | |
|---------------------|---|
| Product description | M8 Male cable connector, Contacts: 4, shielded, moulded on the cable, IP67, Profinet/Ethernet CAT5e, PUR, green, 4 x AWG 22, 2 m |
| Area | M8-D |
| Part no. | 77 5429 0000 50704-0200 |

| | |
|------------------|--------------------------------------|
| Contact material | CuZn (brass) |
| Contact plating | Au (gold) |
| Locking material | CuZn (brass) |
| REACH SVHC | CAS 7439-92-1 (Lead) |
| SCIP number | 4182f23a-980d-4022-8f60-cdde6dd0bb79 |

Classifications

| | |
|-------------|-------------|
| eCl@ss 11.1 | 27-06-03-11 |
| ETIM 9.0 | EC002638 |

Declarations of conformity

| | |
|----------------|----------------------------|
| RoHS Directive | 2011/65/EU (EN 50581:2012) |
|----------------|----------------------------|

Cable data - Structure of the cable

| | |
|------------------------|-------------------------|
| Cable type | Profinet/Ethernet CAT5e |
| Cable diameter | 6.7 mm |
| Cross section | 4 x AWG 22 |
| Sheath material | PUR |
| Single-lead insulation | Polyolefin |
| Cable color | green |

Cable data - Electrical properties

| | |
|----------------------|----------------|
| Conductor resistance | 55 Ω/Km (20°C) |
|----------------------|----------------|

Cable data - Mechanical properties

| | |
|------------------------------|-------------------------|
| Bending radius, fixed cable | ≥ 5 x Ø |
| Bending radius, moving cable | ≥ 15 x Ø |
| Bending cycles | 2 million |
| Permitted acceleration | max. 2 m/s ² |
| Travel distance, horizontal | max. 5 m |
| Travel distance, vertical | max. 5 m |
| Travel speed | 200 m/min |

Cable data - Thermal properties

| | |
|---|----------------|
| Temperature range cable in move from/to | -20 °C / 60 °C |
| Temperature range cable fixed from/to | -40 °C / 80 °C |

Cable data - Other features

| | |
|--------------|-----|
| Halogen free | yes |
|--------------|-----|

| | |
|---------------------|---|
| Product description | M8 Male cable connector, Contacts: 4, shielded, moulded on the cable, IP67, Profinet/Ethernet CAT5e, PUR, green, 4 x AWG 22, 2 m |
| Area | M8-D |
| Part no. | 77 5429 0000 50704-0200 |

Security notices

The connectors have been developed for applications in plant engineering, control and electrical equipment construction. The user is responsible for checking whether the connectors can also be used in other areas of application.

Plug connectors with enclosure protection IP67 and IP68 are not suitable for use under water. When used outdoors, the plug connectors must be protected separately against corrosion. For further information on the IP protection classes, please refer to the "Technical Information" download centre.

To lock the cable connector with the device connector, the threaded ring is tightened "hand-tight" (approx. 40 cNm).

Product data sheet

Automation technology - Data transmission

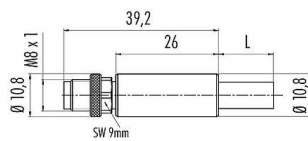


| | |
|---------------------|---|
| Product description | M8 Male cable connector, Contacts: 4, shielded, moulded on the cable, IP67, Profinet/Ethernet CAT5e, PUR, green, 4 x AWG 22, 5 m |
| Area | M8-D |
| Part no. | 77 5429 0000 50704-0500 |

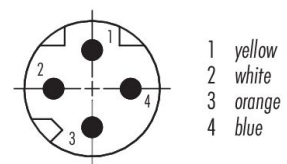
Illustration



Scale drawing



Contact arrangement (Plug-in side)



Technical data

General features

| | |
|---------------------------|---|
| Part no. | 77 5429 0000 50704-0500 |
| Connector design | Male cable connector |
| Type standard | DIN EN 61076-2-114 |
| Cable length | 5 m (Standard 2 m and 5 m. Other lengths are available on request.) |
| Version | Connector pin straight |
| Connector locking system | M8x1 |
| Termination | moulded on the cable |
| Degree of protection | IP67 |
| Cross-sectional area | 0.34 mm ² / AWG 22 |
| Temperature range from/to | -25 °C / 85 °C |
| Mechanical operation | > 100 Mating cycles |
| Weight (g) | 130.00 |
| Customs tariff number | 85444290 |
| Country of Origin | DE |

Electrical parameters

| | |
|---------------------------|-----------------------------|
| Rated voltage | 63 V |
| Rated impulse voltage | 1500 V |
| Rated current | 4.0 A |
| Insulation resistance | > 10 ⁸ Ω |
| Pollution degree | 3 |
| Overvoltage category | II |
| Insulating material group | I |
| EMC compliance | shielded |
| Shield connection | Shield on the threaded ring |

Material

| | |
|-----------------------|-----------|
| Contact body material | PUR black |
|-----------------------|-----------|

Product data sheet

Automation technology - Data transmission



| | |
|---------------------|---|
| Product description | M8 Male cable connector, Contacts: 4, shielded, moulded on the cable, IP67, Profinet/Ethernet CAT5e, PUR, green, 4 x AWG 22, 5 m |
| Area | M8-D |
| Part no. | 77 5429 0000 50704-0500 |

| | |
|------------------|--------------------------------------|
| Contact material | CuZn (brass) |
| Contact plating | Au (gold) |
| Locking material | CuZn (brass) |
| REACH SVHC | CAS 7439-92-1 (Lead) |
| SCIP number | 4182f23a-980d-4022-8f60-cdde6dd0bb79 |

Classifications

| | |
|-------------|-------------|
| eCl@ss 11.1 | 27-06-03-11 |
| ETIM 9.0 | EC002638 |

Declarations of conformity

| | |
|----------------|----------------------------|
| RoHS Directive | 2011/65/EU (EN 50581:2012) |
|----------------|----------------------------|

Cable data - Structure of the cable

| | |
|------------------------|-------------------------|
| Cable type | Profinet/Ethernet CAT5e |
| Cable diameter | 6.7 mm |
| Cross section | 4 x AWG 22 |
| Sheath material | PUR |
| Single-lead insulation | Polyolefin |
| Cable color | green |

Cable data - Electrical properties

| | |
|----------------------|----------------|
| Conductor resistance | 55 Ω/Km (20°C) |
|----------------------|----------------|

Cable data - Mechanical properties

| | |
|------------------------------|-------------------------|
| Bending radius, fixed cable | ≥ 5 x Ø |
| Bending radius, moving cable | ≥ 15 x Ø |
| Bending cycles | 2 million |
| Permitted acceleration | max. 2 m/s ² |
| Travel distance, horizontal | max. 5 m |
| Travel distance, vertical | max. 5 m |
| Travel speed | 200 m/min |

Cable data - Thermal properties

| | |
|---|----------------|
| Temperature range cable in move from/to | -20 °C / 60 °C |
| Temperature range cable fixed from/to | -40 °C / 80 °C |

Cable data - Other features

| | |
|--------------|-----|
| Halogen free | yes |
|--------------|-----|

| | |
|---------------------|---|
| Product description | M8 Male cable connector, Contacts: 4, shielded, moulded on the cable, IP67, Profinet/Ethernet CAT5e, PUR, green, 4 x AWG 22, 5 m |
| Area | M8-D |
| Part no. | 77 5429 0000 50704-0500 |

Security notices

The connectors have been developed for applications in plant engineering, control and electrical equipment construction. The user is responsible for checking whether the connectors can also be used in other areas of application.

Plug connectors with enclosure protection IP67 and IP68 are not suitable for use under water. When used outdoors, the plug connectors must be protected separately against corrosion. For further information on the IP protection classes, please refer to the "Technical Information" download centre.

To lock the cable connector with the device connector, the threaded ring is tightened "hand-tight" (approx. 40 cNm).

Product data sheet

Automation technology - Data transmission

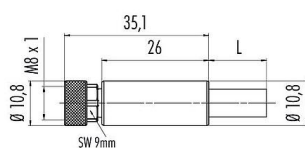


| | |
|---------------------|---|
| Product description | M8 Female cable connector, Contacts: 4, shielded, moulded on the cable, IP67, Profinet/Ethernet CAT5e, PUR, green, 4 x AWG 22, 2 m |
| Area | M8-D |
| Part no. | 77 5430 0000 50704-0200 |

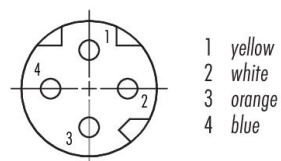
Illustration



Scale drawing



Contact arrangement (Plug-in side)



Technical data

General features

| | |
|---------------------------|---|
| Part no. | 77 5430 0000 50704-0200 |
| Connector design | Female cable connector |
| Type standard | DIN EN 61076-2-114 |
| Cable length | 2 m (Standard 2 m and 5 m. Other lengths are available on request.) |
| Version | Connector socket straight |
| Connector locking system | M8x1 |
| Termination | moulded on the cable |
| Degree of protection | IP67 |
| Cross-sectional area | 0.34 mm ² / AWG 22 |
| Temperature range from/to | -25 °C / 85 °C |
| Mechanical operation | > 100 Mating cycles |
| Weight (g) | 133.00 |
| Customs tariff number | 85444290 |
| Country of Origin | DE |

Electrical parameters

| | |
|---------------------------|-----------------------------|
| Rated voltage | 63 V DC |
| Rated impulse voltage | 1500 V |
| Rated current | 4.0 A |
| Insulation resistance | > 10 ⁸ Ω |
| Pollution degree | 3 |
| Overvoltage category | II |
| Insulating material group | I |
| EMC compliance | shielded |
| Shield connection | Shield on the threaded ring |

Material

| | |
|-----------------------|-----------|
| Contact body material | PUR black |
|-----------------------|-----------|

Product data sheet

Automation technology - Data transmission



| | |
|---------------------|---|
| Product description | M8 Female cable connector, Contacts: 4, shielded, moulded on the cable, IP67, Profinet/Ethernet CAT5e, PUR, green, 4 x AWG 22, 2 m |
| Area | M8-D |
| Part no. | 77 5430 0000 50704-0200 |

| | |
|------------------|--------------------------------------|
| Contact material | CuZn (brass) |
| Contact plating | Au (gold) |
| Locking material | CuZn (brass) |
| REACH SVHC | CAS 7439-92-1 (Lead) |
| SCIP number | 044e3ab1-9fcd-4150-8bc1-fd354c7b3073 |

Classifications

| | |
|-------------|-------------|
| eCl@ss 11.1 | 27-06-03-11 |
| ETIM 9.0 | EC002638 |

Declarations of conformity

| | |
|----------------|----------------------------|
| RoHS Directive | 2011/65/EU (EN 50581:2012) |
|----------------|----------------------------|

Cable data - Structure of the cable

| | |
|------------------------|-------------------------|
| Cable type | Profinet/Ethernet CAT5e |
| Cable diameter | 6.7 mm |
| Cross section | 4 x AWG 22 |
| Sheath material | PUR |
| Single-lead insulation | Polyolefin |
| Cable color | green |

Cable data - Electrical properties

| | |
|----------------------|----------------|
| Conductor resistance | 55 Ω/Km (20°C) |
|----------------------|----------------|

Cable data - Mechanical properties

| | |
|------------------------------|-------------------------|
| Bending radius, fixed cable | ≥ 5 x Ø |
| Bending radius, moving cable | ≥ 15 x Ø |
| Bending cycles | 2 million |
| Permitted acceleration | max. 2 m/s ² |
| Travel distance, horizontal | max. 5 m |
| Travel distance, vertical | max. 5 m |
| Travel speed | 200 m/min |

Cable data - Thermal properties

| | |
|---|----------------|
| Temperature range cable in move from/to | -20 °C / 60 °C |
| Temperature range cable fixed from/to | -40 °C / 80 °C |

Cable data - Other features

| | |
|--------------|-----|
| Halogen free | yes |
|--------------|-----|

| | |
|---------------------|---|
| Product description | M8 Female cable connector, Contacts: 4, shielded, moulded on the cable, IP67, Profinet/Ethernet CAT5e, PUR, green, 4 x AWG 22, 2 m |
| Area | M8-D |
| Part no. | 77 5430 0000 50704-0200 |

Security notices

The connectors have been developed for applications in plant engineering, control and electrical equipment construction. The user is responsible for checking whether the connectors can also be used in other areas of application.

Plug connectors with enclosure protection IP67 and IP68 are not suitable for use under water. When used outdoors, the plug connectors must be protected separately against corrosion. For further information on the IP protection classes, please refer to the "Technical Information" download centre.

To lock the cable connector with the device connector, the threaded ring is tightened "hand-tight" (approx. 40 cNm).

Product data sheet

Automation technology - Data transmission

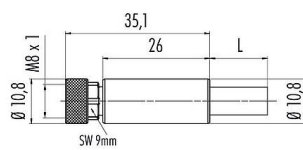


| | |
|---------------------|---|
| Product description | M8 Female cable connector, Contacts: 4, shielded, moulded on the cable, IP67, Profinet/Ethernet CAT5e, PUR, green, 4 x AWG 22, 5 m |
| Area | M8-D |
| Part no. | 77 5430 0000 50704-0500 |

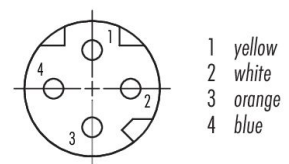
Illustration



Scale drawing



Contact arrangement (Plug-in side)



Technical data

General features

| | |
|---------------------------|---|
| Part no. | 77 5430 0000 50704-0500 |
| Connector design | Female cable connector |
| Type standard | DIN EN 61076-2-114 |
| Cable length | 5 m (Standard 2 m and 5 m. Other lengths are available on request.) |
| Version | Connector socket straight |
| Connector locking system | M8x1 |
| Termination | moulded on the cable |
| Degree of protection | IP67 |
| Cross-sectional area | 0.34 mm ² / AWG 22 |
| Temperature range from/to | -25 °C / 85 °C |
| Mechanical operation | > 100 Mating cycles |
| Weight (g) | 133.00 |
| Customs tariff number | 85444290 |
| Country of Origin | DE |

Electrical parameters

| | |
|---------------------------|-----------------------------|
| Rated voltage | 63 V DC |
| Rated impulse voltage | 1500 V |
| Rated current | 4.0 A |
| Insulation resistance | > 10 ⁸ Ω |
| Pollution degree | 3 |
| Overvoltage category | II |
| Insulating material group | I |
| EMC compliance | shielded |
| Shield connection | Shield on the threaded ring |

Material

| | |
|-----------------------|-----------|
| Contact body material | PUR black |
|-----------------------|-----------|

Product data sheet

Automation technology - Data transmission



| | |
|---------------------|---|
| Product description | M8 Female cable connector, Contacts: 4, shielded, moulded on the cable, IP67, Profinet/Ethernet CAT5e, PUR, green, 4 x AWG 22, 5 m |
| Area | M8-D |
| Part no. | 77 5430 0000 50704-0500 |

| | |
|------------------|--------------------------------------|
| Contact material | CuZn (brass) |
| Contact plating | Au (gold) |
| Locking material | CuZn (brass) |
| REACH SVHC | CAS 7439-92-1 (Lead) |
| SCIP number | 044e3ab1-9fcd-4150-8bc1-fd354c7b3073 |

Classifications

| | |
|-------------|-------------|
| eCl@ss 11.1 | 27-06-03-11 |
| ETIM 9.0 | EC002638 |

Declarations of conformity

| | |
|----------------|----------------------------|
| RoHS Directive | 2011/65/EU (EN 50581:2012) |
|----------------|----------------------------|

Cable data - Structure of the cable

| | |
|------------------------|-------------------------|
| Cable type | Profinet/Ethernet CAT5e |
| Cable diameter | 6.7 mm |
| Cross section | 4 x AWG 22 |
| Sheath material | PUR |
| Single-lead insulation | Polyolefin |
| Cable color | green |

Cable data - Electrical properties

| | |
|----------------------|----------------|
| Conductor resistance | 55 Ω/Km (20°C) |
|----------------------|----------------|

Cable data - Mechanical properties

| | |
|------------------------------|-------------------------|
| Bending radius, fixed cable | ≥ 5 x Ø |
| Bending radius, moving cable | ≥ 15 x Ø |
| Bending cycles | 2 million |
| Permitted acceleration | max. 2 m/s ² |
| Travel distance, horizontal | max. 5 m |
| Travel distance, vertical | max. 5 m |
| Travel speed | 200 m/min |

Cable data - Thermal properties

| | |
|---|----------------|
| Temperature range cable in move from/to | -20 °C / 60 °C |
| Temperature range cable fixed from/to | -40 °C / 80 °C |

Cable data - Other features

| | |
|--------------|-----|
| Halogen free | yes |
|--------------|-----|

| | |
|---------------------|---|
| Product description | M8 Female cable connector, Contacts: 4, shielded, moulded on the cable, IP67, Profinet/Ethernet CAT5e, PUR, green, 4 x AWG 22, 5 m |
| Area | M8-D |
| Part no. | 77 5430 0000 50704-0500 |

Security notices

The connectors have been developed for applications in plant engineering, control and electrical equipment construction. The user is responsible for checking whether the connectors can also be used in other areas of application.

Plug connectors with enclosure protection IP67 and IP68 are not suitable for use under water. When used outdoors, the plug connectors must be protected separately against corrosion. For further information on the IP protection classes, please refer to the "Technical Information" download centre.

To lock the cable connector with the device connector, the threaded ring is tightened "hand-tight" (approx. 40 cNm).

Product data sheet

Automation technology - Data transmission

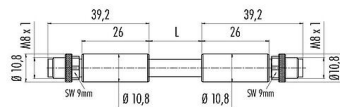


| | |
|---------------------|---|
| Product description | M8 Connecting cable 2 male cable connectors, Contacts: 4, shielded, moulded on the cable, IP67, Profinet/Ethernet CAT5e, PUR, green, 4 x AWG 22, 1 m |
| Area | M8-D |
| Part no. | 77 5429 5429 50704-0100 |

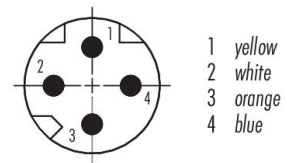
Illustration



Scale drawing



Contact arrangement (Plug-in side)



Technical data

General features

| | |
|---------------------------|---|
| Part no. | 77 5429 5429 50704-0100 |
| Connector design | Connecting cable 2 male cable connectors |
| Type standard | DIN EN 61076-2-114 |
| Cable length | 1 m (Standard 1 m and 2 m. Other lengths are available on request.) |
| Version | Connector pin straight |
| Connector locking system | M8x1 |
| Termination | moulded on the cable |
| Degree of protection | IP67 |
| Cross-sectional area | 0.34 mm ² / AWG 22 |
| Temperature range from/to | -25 °C / 85 °C |
| Mechanical operation | > 100 Mating cycles |
| Weight (g) | 36.00 |
| Customs tariff number | 85444290 |
| Country of Origin | DE |

Electrical parameters

| | |
|---------------------------|-----------------------------|
| Rated voltage | 25 V AC (60 V DC) |
| Rated impulse voltage | 1500 V |
| Rated current | 4.0 A |
| Insulation resistance | > 10 ⁸ Ω |
| Pollution degree | 3 |
| Overvoltage category | II |
| Insulating material group | I |
| EMC compliance | shielded |
| Shield connection | Shield on the threaded ring |

Material

| | |
|-----------------------|-----------|
| Contact body material | PUR black |
|-----------------------|-----------|

Product data sheet

Automation technology - Data transmission



Product description **M8 Connecting cable 2 male cable connectors, Contacts: 4, shielded, moulded on the cable, IP67, Profinet/Ethernet CAT5e, PUR, green, 4 x AWG 22, 1 m**

Area **M8-D**
Part no. **77 5429 5429 50704-0100**

| | |
|------------------|--------------------------------------|
| Contact material | CuZn (brass) |
| Contact plating | Au (gold) |
| Locking material | CuZn (brass) |
| REACH SVHC | CAS 7439-92-1 (Lead) |
| SCIP number | b9b7aed4-d2ae-4062-b250-9bab9f4ec2e6 |

Classifications

| | |
|-------------|-------------|
| eCl@ss 11.1 | 27-06-03-11 |
| ETIM 9.0 | EC002638 |

Declarations of conformity

| | |
|----------------|----------------------------|
| RoHS Directive | 2011/65/EU (EN 50581:2012) |
|----------------|----------------------------|

Cable data - Structure of the cable

| | |
|------------------------|-------------------------|
| Cable type | Profinet/Ethernet CAT5e |
| Cable diameter | 4.3 mm |
| Cross section | 4 x AWG 22 |
| Sheath material | PUR |
| Single-lead insulation | Polyolefin |
| Cable color | green |

Cable data - Electrical properties

| | |
|----------------------|----------------|
| Operating voltage | 300 V |
| Conductor resistance | 55 Ω/Km (20°C) |

Cable data - Mechanical properties

| | |
|------------------------------|-------------------------|
| Bending radius, fixed cable | ≥ 5 x Ø |
| Bending radius, moving cable | ≥ 15 x Ø |
| Bending cycles | 2 million |
| Permitted acceleration | max. 2 m/s ² |
| Travel distance, horizontal | max. 5 m |
| Travel distance, vertical | max. 5 m |
| Travel speed | 200 m/min |

Cable data - Thermal properties

| | |
|---|----------------|
| Temperature range cable in move from/to | -20 °C / 60 °C |
| Temperature range cable fixed from/to | -40 °C / 80 °C |

Cable data - Other features

| | |
|--------------|-----|
| Halogen free | yes |
|--------------|-----|

| | |
|---------------------|---|
| Product description | M8 Connecting cable 2 male cable connectors, Contacts: 4, shielded, moulded on the cable, IP67, Profinet/Ethernet CAT5e, PUR, green, 4 x AWG 22, 1 m |
| Area | M8-D |
| Part no. | 77 5429 5429 50704-0100 |

Security notices

The connectors have been developed for applications in plant engineering, control and electrical equipment construction. The user is responsible for checking whether the connectors can also be used in other areas of application.

Plug connectors with enclosure protection IP67 and IP68 are not suitable for use under water. When used outdoors, the plug connectors must be protected separately against corrosion. For further information on the IP protection classes, please refer to the "Technical Information" download centre.

To lock the cable connector with the device connector, the threaded ring is tightened "hand-tight" (approx. 40 cNm).

Product data sheet

Automation technology - Data transmission

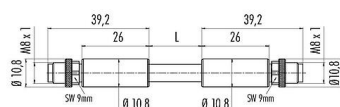


| | |
|---------------------|---|
| Product description | M8 Connecting cable 2 male cable connectors, Contacts: 4, shielded, moulded on the cable, IP67, Profinet/Ethernet CAT5e, PUR, green, 4 x AWG 22, 2 m |
| Area | M8-D |
| Part no. | 77 5429 5429 50704-0200 |

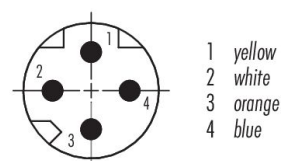
Illustration



Scale drawing



Contact arrangement (Plug-in side)



Technical data

General features

| | |
|---------------------------|---|
| Part no. | 77 5429 5429 50704-0200 |
| Connector design | Connecting cable 2 male cable connectors |
| Type standard | DIN EN 61076-2-114 |
| Cable length | 2 m (Standard 1 m and 2 m. Other lengths are available on request.) |
| Version | Connector pin straight |
| Connector locking system | M8x1 |
| Termination | moulded on the cable |
| Degree of protection | IP67 |
| Cross-sectional area | 0.34 mm ² / AWG 22 |
| Temperature range from/to | -25 °C / 85 °C |
| Mechanical operation | > 100 Mating cycles |
| Weight (g) | 36.00 |
| Customs tariff number | 85444290 |
| Country of Origin | DE |

Electrical parameters

| | |
|---------------------------|-----------------------------|
| Rated voltage | 25 V AC (60 V DC) |
| Rated impulse voltage | 1500 V |
| Rated current | 4.0 A |
| Insulation resistance | ≥ 10 ⁸ Ω |
| Pollution degree | 3 |
| Overvoltage category | II |
| Insulating material group | I |
| EMC compliance | shielded |
| Shield connection | Shield on the threaded ring |

Material

| | |
|-----------------------|-----------|
| Contact body material | PUR black |
|-----------------------|-----------|

Product data sheet

Automation technology - Data transmission



| | |
|---------------------|---|
| Product description | M8 Connecting cable 2 male cable connectors, Contacts: 4, shielded, moulded on the cable, IP67, Profinet/Ethernet CAT5e, PUR, green, 4 x AWG 22, 2 m |
| Area | M8-D |
| Part no. | 77 5429 5429 50704-0200 |

| | |
|------------------|--------------------------------------|
| Contact material | CuZn (brass) |
| Contact plating | Au (gold) |
| Locking material | CuZn (brass) |
| REACH SVHC | CAS 7439-92-1 (Lead) |
| SCIP number | b9b7aed4-d2ae-4062-b250-9bab9f4ec2e6 |

Classifications

| | |
|-------------|-------------|
| eCl@ss 11.1 | 27-06-03-11 |
| ETIM 9.0 | EC002638 |

Declarations of conformity

| | |
|----------------|----------------------------|
| RoHS Directive | 2011/65/EU (EN 50581:2012) |
|----------------|----------------------------|

Cable data - Structure of the cable

| | |
|------------------------|-------------------------|
| Cable type | Profinet/Ethernet CAT5e |
| Cable diameter | 4.3 mm |
| Cross section | 4 x AWG 22 |
| Sheath material | PUR |
| Single-lead insulation | Polyolefin |
| Cable color | green |

Cable data - Electrical properties

| | |
|----------------------|----------------|
| Operating voltage | 300 V |
| Conductor resistance | 55 Ω/Km (20°C) |

Cable data - Mechanical properties

| | |
|------------------------------|-------------------------|
| Bending radius, fixed cable | ≥ 5 x Ø |
| Bending radius, moving cable | ≥ 15 x Ø |
| Bending cycles | 2 million |
| Permitted acceleration | max. 2 m/s ² |
| Travel distance, horizontal | max. 5 m |
| Travel distance, vertical | max. 5 m |
| Travel speed | 200 m/min |

Cable data - Thermal properties

| | |
|---|----------------|
| Temperature range cable in move from/to | -20 °C / 60 °C |
| Temperature range cable fixed from/to | -40 °C / 80 °C |

Cable data - Other features

| | |
|--------------|-----|
| Halogen free | yes |
|--------------|-----|

Product description **M8 Connecting cable 2 male cable connectors, Contacts: 4, shielded, moulded on the cable, IP67, Profinet/Ethernet CAT5e, PUR, green, 4 x AWG 22, 2 m**

Area **M8-D**
Part no. **77 5429 5429 50704-0200**

Security notices

The connectors have been developed for applications in plant engineering, control and electrical equipment construction. The user is responsible for checking whether the connectors can also be used in other areas of application.

Plug connectors with enclosure protection IP67 and IP68 are not suitable for use under water. When used outdoors, the plug connectors must be protected separately against corrosion. For further information on the IP protection classes, please refer to the "Technical Information" download centre.

To lock the cable connector with the device connector, the threaded ring is tightened "hand-tight" (approx. 40 cNm).

Product data sheet

Automation technology - Data transmission

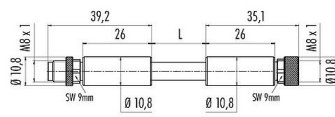


| | |
|---------------------|--|
| Product description | M8/M8 Connecting cable male cable connector - female cable connector, Contacts: 4, shielded, moulded on the cable, IP67, Profinet/Ethernet CAT5e, PUR, green, 4 x AWG 22, 1 m |
| Area | M8-D |
| Part no. | 77 5430 5429 50704-0100 |

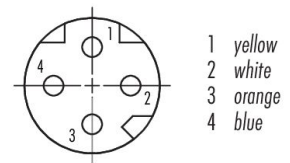
Illustration



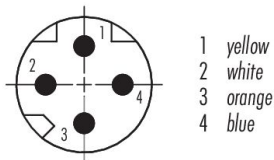
Scale drawing



Contact arrangement (Plug-in side)



Contact arrangement (Plug-in side)



Technical data

General features

| | |
|---------------------------|---|
| Part no. | 77 5430 5429 50704-0100 |
| Connector design | Connecting cable male cable connector - female cable connector |
| Type standard | DIN EN 61076-2-114 |
| Cable length | 1 m (Standard 1 m and 2 m. Other lengths are available on request.) |
| Version | Connecting cable |
| Connector locking system | M8x1 |
| Termination | moulded on the cable |
| Degree of protection | IP67 |
| Cross-sectional area | 0.34 mm ² / AWG 22 |
| Temperature range from/to | -25 °C / 85 °C |
| Mechanical operation | > 100 Mating cycles |
| Weight (g) | 79.00 |
| Customs tariff number | 85444290 |

Product data sheet

Automation technology - Data transmission



| | |
|---------------------|--|
| Product description | M8/M8 Connecting cable male cable connector - female cable connector, Contacts: 4, shielded, moulded on the cable, IP67, Profinet/Ethernet CAT5e, PUR, green, 4 x AWG 22, 1 m |
| Area | M8-D |
| Part no. | 77 5430 5429 50704-0100 |

Country of Origin DE

Electrical parameters

| | |
|---------------------------|-----------------------------|
| Rated voltage | 63 V DC |
| Rated impulse voltage | 1500 V |
| Rated current | 4.0 A |
| Insulation resistance | > 10 ⁸ Ω |
| Pollution degree | 3 |
| Overvoltage category | II |
| Insulating material group | I |
| EMC compliance | shielded |
| Shield connection | Shield on the threaded ring |

Material

| | |
|-----------------------|--------------------------------------|
| Contact body material | PUR black |
| Contact material | CuZn (brass) |
| Contact plating | Au (gold) |
| Locking material | CuZn (brass) |
| REACH SVHC | CAS 7439-92-1 (Lead) |
| SCIP number | c4e816f8-2926-4825-b845-5ec3808e13c8 |

Classifications

| | |
|-------------|-------------|
| eCl@ss 11.1 | 27-06-03-11 |
| ETIM 9.0 | EC002638 |

Declarations of conformity

| | |
|----------------|----------------------------|
| RoHS Directive | 2011/65/EU (EN 50581:2012) |
|----------------|----------------------------|

Cable data - Structure of the cable

| | |
|------------------------|-------------------------|
| Cable type | Profinet/Ethernet CAT5e |
| Cable diameter | 4.3 mm |
| Cross section | 4 x AWG 22 |
| Sheath material | PUR |
| Single-lead insulation | Polyolefin |
| Cable color | green |

Cable data - Electrical properties

| | |
|----------------------|----------------|
| Operating voltage | 300 V |
| Conductor resistance | 55 Ω/Km (20°C) |

Cable data - Mechanical properties

| | |
|------------------------------|-------------------------|
| Bending radius, fixed cable | ≥ 5 x Ø |
| Bending radius, moving cable | ≥ 15 x Ø |
| Bending cycles | 2 million |
| Permitted acceleration | max. 2 m/s ² |

Product data sheet

Automation technology - Data transmission



Product description **M8/M8 Connecting cable male cable connector - female cable connector, Contacts: 4, shielded, moulded on the cable, IP67, Profinet/Ethernet CAT5e, PUR, green, 4 x AWG 22, 1 m**

Area **M8-D**
Part no. **77 5430 5429 50704-0100**

| | |
|-----------------------------|-----------|
| Travel distance, horizontal | max. 5 m |
| Travel distance, vertical | max. 5 m |
| Travel speed | 200 m/min |

Cable data - Thermal properties

| | |
|---|----------------|
| Temperature range cable in move from/to | -20 °C / 60 °C |
| Temperature range cable fixed from/to | -40 °C / 80 °C |

Cable data - Other features

| | |
|--------------|-----|
| Halogen free | yes |
|--------------|-----|

Product description **M8/M8 Connecting cable male cable connector - female cable connector, Contacts: 4, shielded, moulded on the cable, IP67, Profinet/Ethernet CAT5e, PUR, green, 4 x AWG 22, 1 m**

Area **M8-D**
Part no. **77 5430 5429 50704-0100**

Security notices

The connectors have been developed for applications in plant engineering, control and electrical equipment construction. The user is responsible for checking whether the connectors can also be used in other areas of application.

Plug connectors with enclosure protection IP67 and IP68 are not suitable for use under water. When used outdoors, the plug connectors must be protected separately against corrosion. For further information on the IP protection classes, please refer to the "Technical Information" download centre.

To lock the cable connector with the device connector, the threaded ring is tightened "hand-tight" (approx. 40 cNm).

Product data sheet

Automation technology - Data transmission



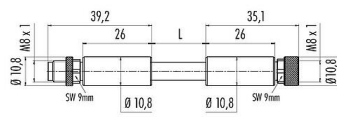
Product description **M8/M8 Connecting cable male cable connector - female cable connector, Contacts: 4, shielded, moulded on the cable, IP67, Profinet/Ethernet CAT5e, PUR, green, 4 x AWG 22, 2 m**

Area **M8-D**
Part no. **77 5430 5429 50704-0200**

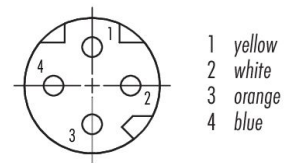
Illustration



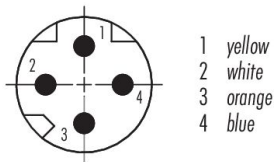
Scale drawing



Contact arrangement (Plug-in side)



Contact arrangement (Plug-in side)



Technical data

General features

| | |
|---------------------------|---|
| Part no. | 77 5430 5429 50704-0200 |
| Connector design | Connecting cable male cable connector - female cable connector |
| Type standard | DIN EN 61076-2-114 |
| Cable length | 2 m (Standard 1 m and 2 m. Other lengths are available on request.) |
| Version | Connecting cable |
| Connector locking system | M8x1 |
| Termination | moulded on the cable |
| Degree of protection | IP67 |
| Cross-sectional area | 0.34 mm ² / AWG 22 |
| Temperature range from/to | -25 °C / 85 °C |
| Mechanical operation | > 100 Mating cycles |
| Weight (g) | 79.00 |
| Customs tariff number | 85444290 |

Product data sheet

Automation technology - Data transmission



| | |
|---------------------|--|
| Product description | M8/M8 Connecting cable male cable connector - female cable connector, Contacts: 4, shielded, moulded on the cable, IP67, Profinet/Ethernet CAT5e, PUR, green, 4 x AWG 22, 2 m |
| Area | M8-D |
| Part no. | 77 5430 5429 50704-0200 |

Country of Origin DE

Electrical parameters

| | |
|---------------------------|-----------------------------|
| Rated voltage | 63 V DC |
| Rated impulse voltage | 1500 V |
| Rated current | 4.0 A |
| Insulation resistance | > 10 ⁸ Ω |
| Pollution degree | 3 |
| Overvoltage category | II |
| Insulating material group | I |
| EMC compliance | shielded |
| Shield connection | Shield on the threaded ring |

Material

| | |
|-----------------------|--------------------------------------|
| Contact body material | PUR black |
| Contact material | CuZn (brass) |
| Contact plating | Au (gold) |
| Locking material | CuZn (brass) |
| REACH SVHC | CAS 7439-92-1 (Lead) |
| SCIP number | c4e816f8-2926-4825-b845-5ec3808e13c8 |

Classifications

| | |
|-------------|-------------|
| eCl@ss 11.1 | 27-06-03-11 |
| ETIM 9.0 | EC002638 |

Declarations of conformity

| | |
|----------------|----------------------------|
| RoHS Directive | 2011/65/EU (EN 50581:2012) |
|----------------|----------------------------|

Cable data - Structure of the cable

| | |
|------------------------|-------------------------|
| Cable type | Profinet/Ethernet CAT5e |
| Cable diameter | 4.3 mm |
| Cross section | 4 x AWG 22 |
| Sheath material | PUR |
| Single-lead insulation | Polyolefin |
| Cable color | green |

Cable data - Electrical properties

| | |
|----------------------|----------------|
| Operating voltage | 300 V |
| Conductor resistance | 55 Ω/Km (20°C) |

Cable data - Mechanical properties

| | |
|------------------------------|-------------------------|
| Bending radius, fixed cable | ≥ 5 x Ø |
| Bending radius, moving cable | ≥ 15 x Ø |
| Bending cycles | 2 million |
| Permitted acceleration | max. 2 m/s ² |

Product data sheet

Automation technology - Data transmission



Product description **M8/M8 Connecting cable male cable connector - female cable connector, Contacts: 4, shielded, moulded on the cable, IP67, Profinet/Ethernet CAT5e, PUR, green, 4 x AWG 22, 2 m**

Area **M8-D**
Part no. **77 5430 5429 50704-0200**

| | |
|-----------------------------|-----------|
| Travel distance, horizontal | max. 5 m |
| Travel distance, vertical | max. 5 m |
| Travel speed | 200 m/min |

Cable data - Thermal properties

| | |
|---|----------------|
| Temperature range cable in move from/to | -20 °C / 60 °C |
| Temperature range cable fixed from/to | -40 °C / 80 °C |

Cable data - Other features

| | |
|--------------|-----|
| Halogen free | yes |
|--------------|-----|

Product description **M8/M8 Connecting cable male cable connector - female cable connector, Contacts: 4, shielded, moulded on the cable, IP67, Profinet/Ethernet CAT5e, PUR, green, 4 x AWG 22, 2 m**

Area **M8-D**
Part no. **77 5430 5429 50704-0200**

Security notices

The connectors have been developed for applications in plant engineering, control and electrical equipment construction. The user is responsible for checking whether the connectors can also be used in other areas of application.

Plug connectors with enclosure protection IP67 and IP68 are not suitable for use under water. When used outdoors, the plug connectors must be protected separately against corrosion. For further information on the IP protection classes, please refer to the "Technical Information" download centre.

To lock the cable connector with the device connector, the threaded ring is tightened "hand-tight" (approx. 40 cNm).