

The large professional sensor.

Fixed sizes for the future: the E-series M12.



Challenges are a routine matter for the circular connectors of the E-series M12: inductive or capacitive proximity switches, photoelectric barriers, flow-monitoring devices, pressure switches, limit switch connections, photoelectric barriers, AS interface bus components and field bus components – the best is just good enough. And in order to ensure a particularly long life, Hirschmann circular connectors are protected against dust and moisture and are resistant to many oils and chemical substances.

The ergonomic design of E-series makes handling easier; as a result, the connection of sensor and actuator technology in automation systems as for example in automatic installation units and machine tools can be done quickly and promptly. Our engineered design prevents the accidental unscrewing of the coupling nut. This provides an additional advantage in terms of safety in all fields of application that are subject to high vibration loads, for example in conveyor belt equipment and automatic punch presses.

Hirschmann circular connectors are used in all sensor and actuator device applications in automation technology – particularly where the risk of vibrations is especially high.



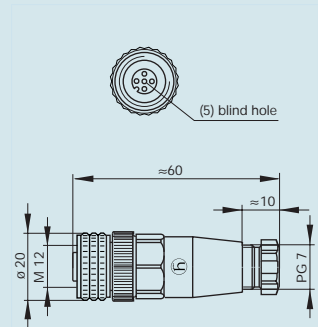
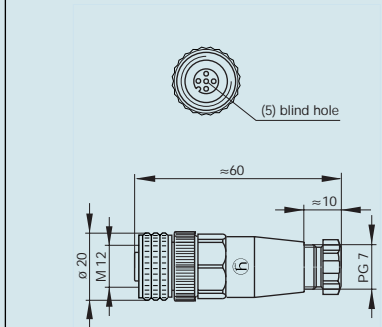
The E-series M12 with plug design as per IEC 61076-2-101 (Ed. 1) can be obtained in the design type with screw locking M12 x 1, and also in a shielded version if so desired.




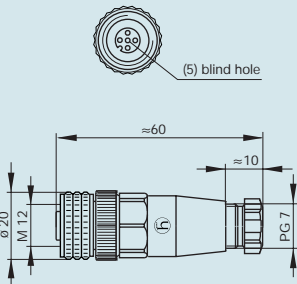
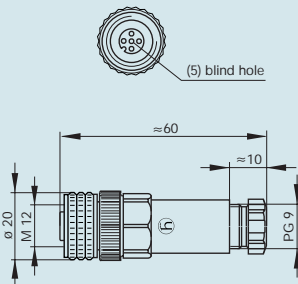
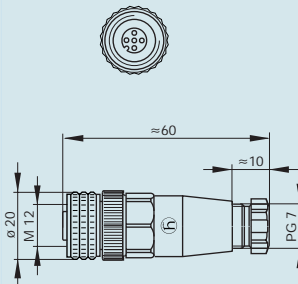




CIRCULAR CONNECTORS E-SERIES M12


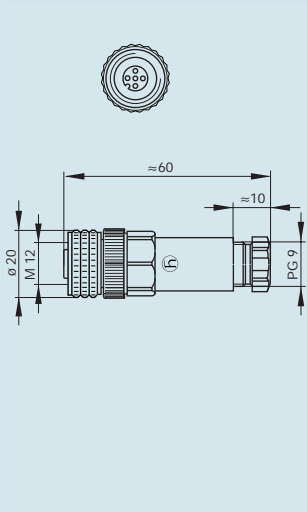
with screw locking > Straight cable socket, self-assembled

Type	ELKA 4012 PG7 schwarz/black	ELKA 4012 PG7 transparent/topas
Order No.	933 139-100	933 210-199
	 <p>Straight cable socket, unassembled, strain relief by means of clamping cage</p>	 <p>Straight cable socket, unassembled, strain relief by means of clamping cage, electronic insert (LED display) may be fitted</p>
Product description		
Type of contact	female	female
Number of contacts	4	4
Cable gland	PG 7	PG 7
Standard	IEC 61076-2-101 (Ed. 1)/ IEC 60947-5-2	IEC 61076-2-101 (Ed. 1)/ IEC 60947-5-2
Housing Color	black	transparent
Drawing		
Technical data		
Rated voltage	AC/DC 250 V	AC/DC 250 V
Rated current	4 A	4 A
Type of termination	screw	screw
Suitable cables	diameter 4 mm to 6 mm, max. 0.75 mm ²	diameter 4 mm to 6 mm, max. 0.75 mm ²
Material		
Contact material	Cu Zn	Cu Zn
Contact surface material	Sn	Sn
Contact bearer material	PA	PA
Housing material	PA	PA
Coupling nut material	Zn Al/Ni	Zn Al/Ni
O-Ring	NBR	NBR
Environmental conditions		
Protection class (IEC 60529)	IP 67	IP 67
Pollution severity	3	3
Temperature range	-25 °C to +90 °C	-25 °C to +90 °C
Inflammability class		
Housing	94 V-2	94 V-2
Contact bearer	94 V-2	94 V-2
Packing unit		
Packaging unit	100 pieces	100 pieces
Scope of delivery and accessories		
Accessories to order separately	protective cap M12 VS, order no. 734 209-100	protective cap M12 VS, order no. 734 209-100; LED insert E 2 LED PNP, order no. 933 405-001

ELKA 4012 K PG7	ELKA 4012 PG9	ELKA 5012 PG7
<p>933 725-100</p>  <p>Straight cable socket, unassembled, strain relief by means of clamping cage, plastic coupling nut</p>	<p>933 169-100</p>  <p>Straight cable socket, unassembled, strain relief by means of clamping cage</p>	<p>933 170-100</p>  <p>Straight cable socket, unassembled, strain relief by means of clamping cage</p>
<p>female 4 PG 7 IEC 61076-2-101 (Ed. 1)/ IEC 60947-5-2 black</p>	<p>female 4 PG 9 IEC 61076-2-101 (Ed. 1)/ IEC 60947-5-2 black</p>	<p>female 5 PG 7 IEC 61076-2-101 (Ed. 1)/ IEC 60947-5-2 black</p>
		
<p>AC/DC 250 V 4 A screw diameter 4 mm to 6 mm, max. 0.75 mm²</p>	<p>AC/DC 250 V 4 A screw diameter 6 mm to 8 mm, max. 0.75 mm²</p>	<p>AC/DC 50 V 4 A screw diameter 4 mm to 6 mm, max. 0.75 mm²</p>
<p>Cu Zn Sn PA PA PA NBR</p>	<p>Cu Zn Sn PA PA Zn Al/Ni NBR</p>	<p>Cu Zn Sn PA PA Zn Al/Ni NBR</p>
<p>IP 67 3 -25 °C to +90 °C</p>	<p>IP 67 3 -25 °C to +90 °C</p>	<p>IP 67 3 -25 °C to +90 °C</p>
<p>94 V-2 94 V-2</p>	<p>94 V-2 94 V-2</p>	<p>94 V-2 94 V-2</p>
<p>100 pieces</p>	<p>100 pieces</p>	<p>100 pieces</p>
<p>protective cap M12 VS, order no. 734 209-100</p>	<p>protective cap M12 VS, order no. 734 209-100</p>	<p>protective cap M12 VS, order no. 734 209-100</p>



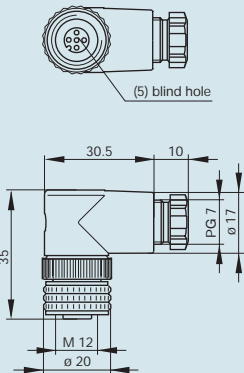
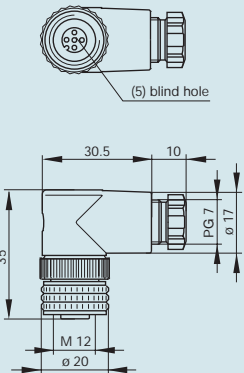
CIRCULAR CONNECTORS E-SERIES M12

with screw locking > Straight cable socket, self-assembled

Type	ELKA 5012 PG9
Order No.	933 171-100
	 <p>Straight cable socket, unassembled, strain relief by means of clamping cage</p>
Product description	
Type of contact	female
Number of contacts	5
Cable gland	PG 9
Standard	IEC 61076-2-101 (Ed. 1)/ IEC 60947-5-2
Housing Color	black
Drawing	
Technical data	
Rated voltage	AC/DC 50 V
Rated current	4 A
Type of termination	screw
Suitable cables	diameter 6 mm to 8 mm, max. 0.75 mm ²
Material	
Contact material	Cu Zn
Contact surface material	Sn
Contact bearer material	PA
Housing material	PA
Coupling nut material	Zn Al/Ni
O-Ring	NBR
Environmental conditions	
Protection class (IEC 60529)	IP 67
Pollution severity	3
Temperature range	-25 °C to +90 °C
Inflammability class	
Housing	94 V-2
Contact bearer	94 V-2
Packing unit	
Packaging unit	100 pieces
Scope of delivery and accessories	
Accessories to order separately	protective cap M12 VS, order no. 734 209-100



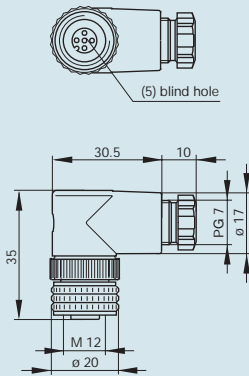
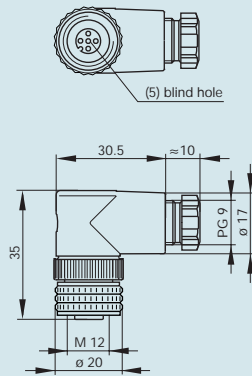
CIRCULAR CONNECTORS E-SERIES M12

with screw locking > Angled cable socket, self-assembled

Type	ELWIKA 4012 PG7 schwarz/black	ELWIKA 4012 PG7 transparent/
Order No.	933 172-100	933 173-199
	 <p>Angled cable socket, unassembled, strain relief by means of clamping cage</p>	 <p>Angled cable socket, unassembled, strain relief by means of clamping cage, electronic insert (LED display) may be fitted</p>
Product description		
Type of contact	female	female
Number of contacts	4	4
Cable gland	PG 7	PG 7
Standard	IEC 61076-2-101 (Ed. 1)/ IEC 60947-5-2	IEC 61076-2-101 (Ed. 1)/ IEC 60947-5-2
Housing Color	black	transparent
Drawing		
Technical data		
Rated voltage	AC/DC 250 V	AC/DC 250 V
Rated current	4 A	4 A
Type of termination	screw	screw
Suitable cables	diameter 4 mm to 6 mm, max. 0.75 mm ²	diameter 4 mm to 6 mm, max. 0.75 mm ²
Material		
Contact material	Cu Zn	Cu Zn
Contact surface material	Sn	Sn
Contact bearer material	PA	PA
Housing material	PA	PA
Coupling nut material	Zn Al/Ni	Zn Al/Ni
O-Ring	NBR	NBR
Environmental conditions		
Protection class (IEC 60529)	IP 67	IP 67
Pollution severity	3	3
Temperature range	-25 °C to +90 °C	-25 °C to +90 °C
Inflammability class		
Housing	94 V-2	94 V-2
Contact bearer	94 V-2	94 V-2
Packing unit		
Packaging unit	100 pieces	100 pieces
Scope of delivery and accessories		
Accessories to order separately	protective cap M12 VS, order no. 734 209-100	protective cap M12 VS, order no. 734 209-100; LED insert E 2 LED PNP, order no. 933 405-001

CIRCULAR CONNECTORS E-SERIES M12

with screw locking > Angled cable socket, self-assembled

Type	ELWIKA 4012 K PG7	ELWIKA 4012 PG9
Order No.	933 726-100	933 174-100
	 <p>Angled cable socket, unassembled, strain relief by means of clamping cage, plastic coupling nut</p>	 <p>Angled cable socket, unassembled, strain relief by means of clamping cage</p>
Product description		
Type of contact	female	female
Number of contacts	4	4
Cable gland	PG 7	PG 9
Standard	IEC 61076-2-101 (Ed. 1)/ IEC 60947-5-2	IEC 61076-2-101 (Ed. 1)/ IEC 60947-5-2
Housing Color	black	black
Drawing		
Technical data		
Rated voltage	AC/DC 250 V	AC/DC 250 V
Rated current	4 A	4 A
Type of termination	screw	screw
Suitable cables	diameter 4 mm to 6 mm, max. 0.75 mm ²	diameter 6 mm to 8 mm, max. 0.75 mm ²
Material		
Contact material	Cu Zn	Cu Zn
Contact surface material	Sn	Sn
Contact bearer material	PA	PA
Housing material	PA	PA
Coupling nut material	PA	Zn Al/Ni
O-Ring	NBR	NBR
Environmental conditions		
Protection class (IEC 60529)	IP 67	IP 67
Pollution severity	3	3
Temperature range	-25 °C to +90 °C	-25 °C to +90 °C
Inflammability class		
Housing	94 V-2	94 V-2
Contact bearer	94 V-2	94 V-2
Packing unit		
Packaging unit	100 pieces	100 pieces
Scope of delivery and accessories		
Accessories to order separately	protective cap M12 VS, order no. 734 209-100	protective cap M12 VS, order no. 734 209-100

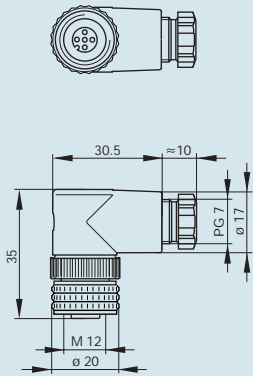
ELWIKA 5012 PG7

933 175-100



Angled cable socket, unassembled,
strain relief by means of clamping cage

female
5
PG 7
IEC 61076-2-101 (Ed. 1)/ IEC 60947-5-2
black



AC/DC 50 V
4 A
screw
diameter 4 mm to 6 mm, max. 0.75 mm²

Cu Zn
Sn
PA
PA
Zn Al/Ni
NBR

IP 67
3
-25 °C to +90 °C

94 V-2
94 V-2

100 pieces

protective cap M12 VS,
order no. 734 209-100

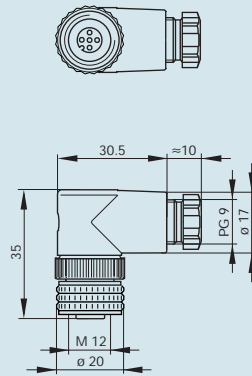
ELWIKA 5012 PG9

933 176-100



Angled cable socket, unassembled,
strain relief by means of clamping cage

female
5
PG 9
IEC 61076-2-101 (Ed. 1)/ IEC 60947-5-2
black



AC/DC 50 V
4 A
screw
diameter 6 mm to 8 mm, max. 0.75 mm²

Cu Zn
Sn
PA
PA
Zn Al/Ni
NBR

IP 67
3
-25 °C to +90 °C



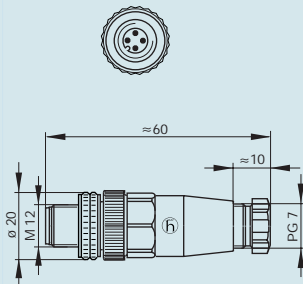
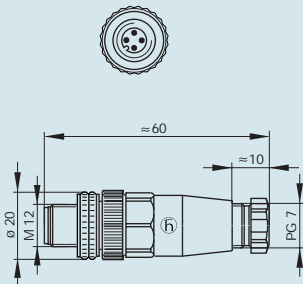
94 V-2
94 V-2




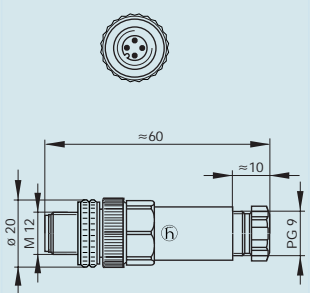
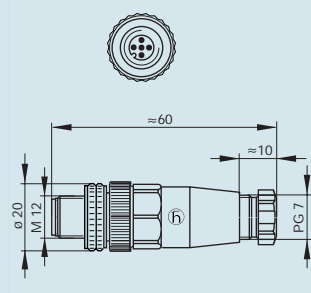
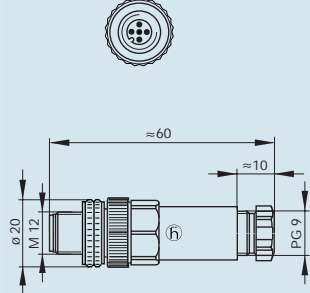
100 pieces

protective cap M12 VS,
order no. 734 209-100

CIRCULAR CONNECTORS E-SERIES M12



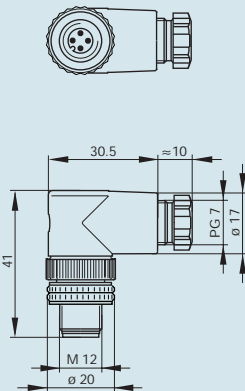
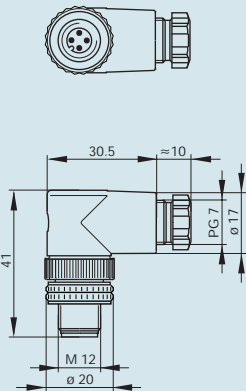
with screw locking > Straight cable plug, self-assembled




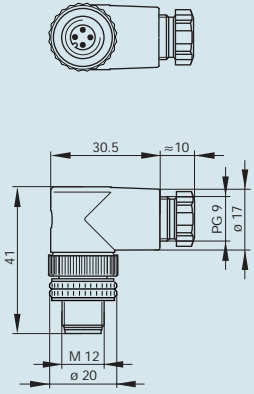
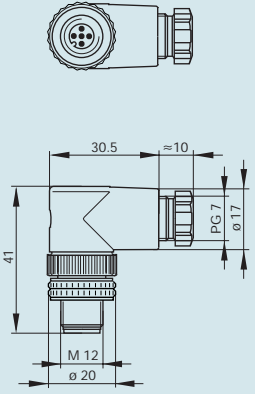
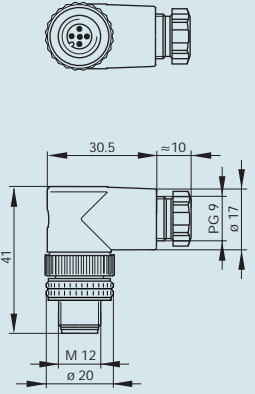
Type	ELST 4012 PG7	ELST 4012 K PG7
Order No.	933 098-100	933 727-100
	 <p>Straight cable plug, unassembled, strain relief by means of clamping cage</p>	 <p>Straight cable plug, unassembled, strain relief by means of clamping cage, plastic coupling thread</p>
Product description		
Type of contact	male	male
Number of contacts	4	4
Cable gland	PG 7	PG 7
Standard	IEC 61076-2-101 (Ed. 1)/ IEC 60947-5-2	IEC 61076-2-101 (Ed. 1)/ IEC 60947-5-2
Housing Color	black	black
Drawing		
Technical data		
Pin dimensions	1 mm	1 mm
Rated voltage	AC/DC 250 V	AC/DC 250 V
Rated current	4 A	4 A
Type of termination	screw	screw
Suitable cables	diameter 4 mm to 6 mm, max. 0.75 mm ²	diameter 4 mm to 6 mm, max. 0.75 mm ²
Material		
Contact material	Cu Zn	Cu Zn
Contact surface material	Sn	Sn
Contact bearer material	PA	PA
Housing material	PA	PA
Coupling nut material	Zn Al/Ni	PA
O-Ring	NBR	NBR
Environmental conditions		
Protection class (IEC 60529)	IP 67	IP 67
Pollution severity	3	3
Temperature range	-25 °C to +90 °C	-25 °C to +90 °C
Inflammability class		
Housing	94 V-2	94 V-2
Contact bearer	94 V-2	94 V-2
Packing unit		
Packaging unit	100 pieces	100 pieces

ELST 4012 PG9	ELST 5012 PG7	ELST 5012 PG9
<p>933 162-100</p>  <p>Straight cable plug, unassembled, strain relief by means of clamping cage</p>	<p>933 163-100</p>  <p>Straight cable plug, unassembled, strain relief by means of clamping cage</p>	<p>933 164-100</p>  <p>Straight cable plug, unassembled, strain relief by means of clamping cage</p>
<p>male 4 PG 9 IEC 61076-2-101 (Ed. 1)/ IEC 60947-5-2 black</p>	<p>male 5 PG 7 IEC 61076-2-101 (Ed. 1)/ IEC 60947-5-2 black</p>	<p>male 5 PG 9 IEC 61076-2-101 (Ed. 1)/ IEC 60947-5-2 black</p>
		
<p>1 mm AC/DC 250 V 4 A screw diameter 6 mm to 8 mm, max. 0.75 mm²</p>	<p>1 mm AC/DC 50 V 4 A screw diameter 4 mm to 6 mm, max. 0.75 mm²</p>	<p>1 mm AC/DC 50 V 4 A screw diameter 6 mm to 8 mm, max. 0.75 mm²</p>
<p>Cu Zn Sn PA PA Zn Al/Ni NBR</p>	<p>Cu Zn Sn PA PA Zn Al/Ni NBR</p>	<p>Cu Zn Sn PA PA Zn Al/Ni NBR</p>
<p>IP 67 3 -25 °C to +90 °C</p>	<p>IP 67 3 -25 °C to +90 °C</p>	<p>IP 67 3 -25 °C to +90 °C</p>
<p>94 V-2 94 V-2</p>	<p>94 V-2 94 V-2</p>	<p>94 V-2 94 V-2</p>
<p>100 pieces</p>	<p>100 pieces</p>	<p>100 pieces</p>

CIRCULAR CONNECTORS E-SERIES M12

with screw locking > Angled cable plug, self-assembled

Type	ELWIST 4012 PG7	ELWIST 4012 K PG7
Order No.	933 165-100	933 728-100
	 <p>Angled cable plug, unassembled, strain relief by means of clamping cage</p>	 <p>Angled cable plug, unassembled, strain relief by means of clamping cage, plastic coupling thread</p>
Product description		
Type of contact	male	male
Number of contacts	4	4
Cable gland	PG 7	PG 7
Standard	IEC 61076-2-101 (Ed. 1)/ IEC 60947-5-2	IEC 61076-2-101 (Ed. 1)/ IEC 60947-5-2
Housing Color	black	black
Drawing		
Technical data		
Pin dimensions	1 mm	1 mm
Rated voltage	AC/DC 250 V	AC/DC 250 V
Rated current	4 A (2 A at 0.14 mm ²)	4 A
Type of termination	screw	screw
Suitable cables	diameter 4 mm to 6 mm, max. 0.75 mm ²	diameter 4 mm to 6 mm, max. 0.75 mm ²
Material		
Contact material	Cu Zn	Cu Zn
Contact surface material	Sn	Sn
Contact bearer material	PA	PA
Housing material	PA	PA
Coupling nut material	Zn Al/Ni	PA
O-Ring	NBR	NBR
Environmental conditions		
Protection class (IEC 60529)	IP 67	IP 67
Pollution severity	3	3
Temperature range	-25 °C to +90 °C	-25 °C to +90 °C
Inflammability class		
Housing	94 V-2	94 V-2
Contact bearer	94 V-2	94 V-2
Packing unit		
Packaging unit	100 pieces	100 pieces

ELWIST 4012 PG9	ELWIST 5012 PG7	ELWIST 5012 PG9
<p>933 166-100</p>  <p>Angled cable plug, unassembled, strain relief by means of clamping cage</p>	<p>933 167-100</p>  <p>Angled cable plug, unassembled, strain relief by means of clamping cage</p>	<p>933 168-100</p>  <p>Angled cable plug, unassembled, strain relief by means of clamping cage</p>
<p>male 4 PG 9 IEC 61076-2-101 (Ed. 1)/ IEC 60947-5-2 black</p>	<p>male 5 PG 7 IEC 61076-2-101 (Ed. 1)/ IEC 60947-5-2 black</p>	<p>male 5 PG 9 IEC 61076-2-101 (Ed. 1)/ IEC 60947-5-2 black</p>
		
<p>1 mm AC/DC 250 V 4 A screw diameter 6 mm to 8 mm, max. 0.75 mm²</p>	<p>1 mm AC/DC 50 V 4 A screw diameter 4 mm to 6 mm, max. 0.75 mm²</p>	<p>1 mm AC/DC 50 V 4 A screw diameter 6 mm to 8 mm, max. 0.75 mm²</p>
<p>Cu Zn Sn PA PA Zn Al/Ni NBR</p>	<p>Cu Zn Sn PA PA Zn Al/Ni NBR</p>	<p>Cu Zn Sn PA PA Zn Al/Ni NBR</p>
<p>IP 67 3 -25 °C to +90 °C</p>	<p>IP 67 3 -25 °C to +90 °C</p>	<p>IP 67 3 -25 °C to +90 °C</p>
<p>94 V-2 94 V-2</p>	<p>94 V-2 94 V-2</p>	<p>94 V-2 94 V-2</p>
<p>100 pieces</p>	<p>100 pieces</p>	<p>100 pieces</p>