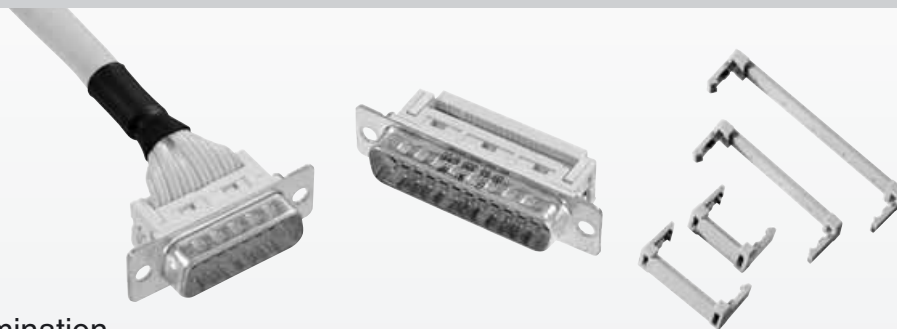


Number of contacts

9-37



Insulation displacement termination

D-Sub - S

Identification	No. of contacts	Part No.	
<b>Performance levels</b> Explanations see page 02.26 Other performance levels on request		Performance level 3	Performance level 2
<b>Male connector</b> pitch 1.27 mm metal shell with dimples	9 15 25 37	09 66 128 770 . 09 66 228 770 . 09 66 328 770 . 09 66 428 770 .	09 66 128 670 . 09 66 228 670 . 09 66 328 670 . 09 66 428 670 .
<b>Female connector</b> pitch 1.27 mm metal shell	9 15 25 37	09 66 118 750 . 09 66 218 750 . 09 66 318 750 . 09 66 418 750 .	09 66 118 650 . 09 66 218 650 . 09 66 318 650 . 09 66 418 650 .
Please insert digit for flange thread or fitted female screw locks ø 3.1 mm hole ▶ 0 M 3 ▶ 1 <sup>1)</sup> 4-40 UNC ▶ 2			
<b>Strain relief clamp</b> corrosion resistant steel for male and female connector	9 15 25 37	09 66 108 0000 09 66 208 0000 09 66 308 0000 09 66 408 0000	09 66 108 0000 09 66 208 0000 09 66 308 0000 09 66 408 0000
plastic for male and female connector	9 15 25 37	09 66 108 0001 09 66 208 0001 09 66 308 0001 09 66 408 0001	09 66 108 0001 09 66 208 0001 09 66 308 0001 09 66 408 0001

<sup>1)</sup> Not normally kept in stock

Number of contacts

# 9-37



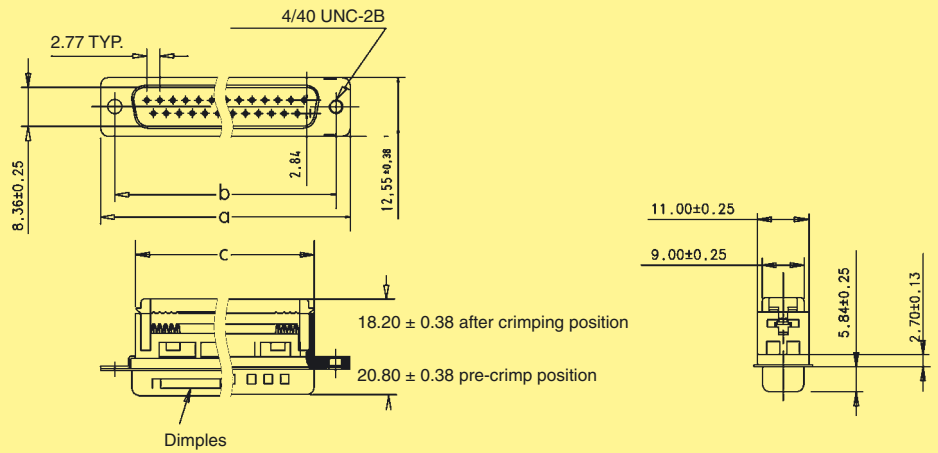
Insulation displacement termination

Identification

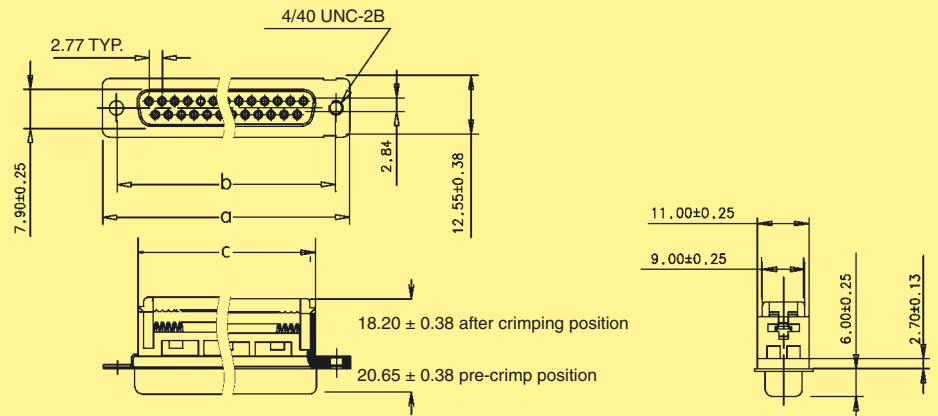
Drawing

Dimensions in mm

Male connector



Female connector



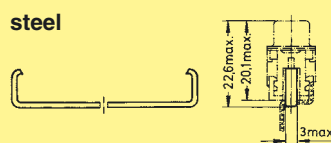
Male and female connectors

	a	b±0.1	c
9	30.80	24.99	16.10
15	39.10	33.32	24.00
25	53.09	47.04	38.14
37	69.40	63.50	54.60

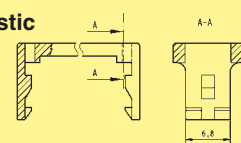
Specified conductors  
stranded wires – AWG 28/7  
– AWG 26/7  
solid wires – AWG 30/1  
– AWG 28/1

Strain relief clamps

steel



plastic



Panel cut out for front/rear mount

Values are taken from the CECC 75 301-802

see page 02.24